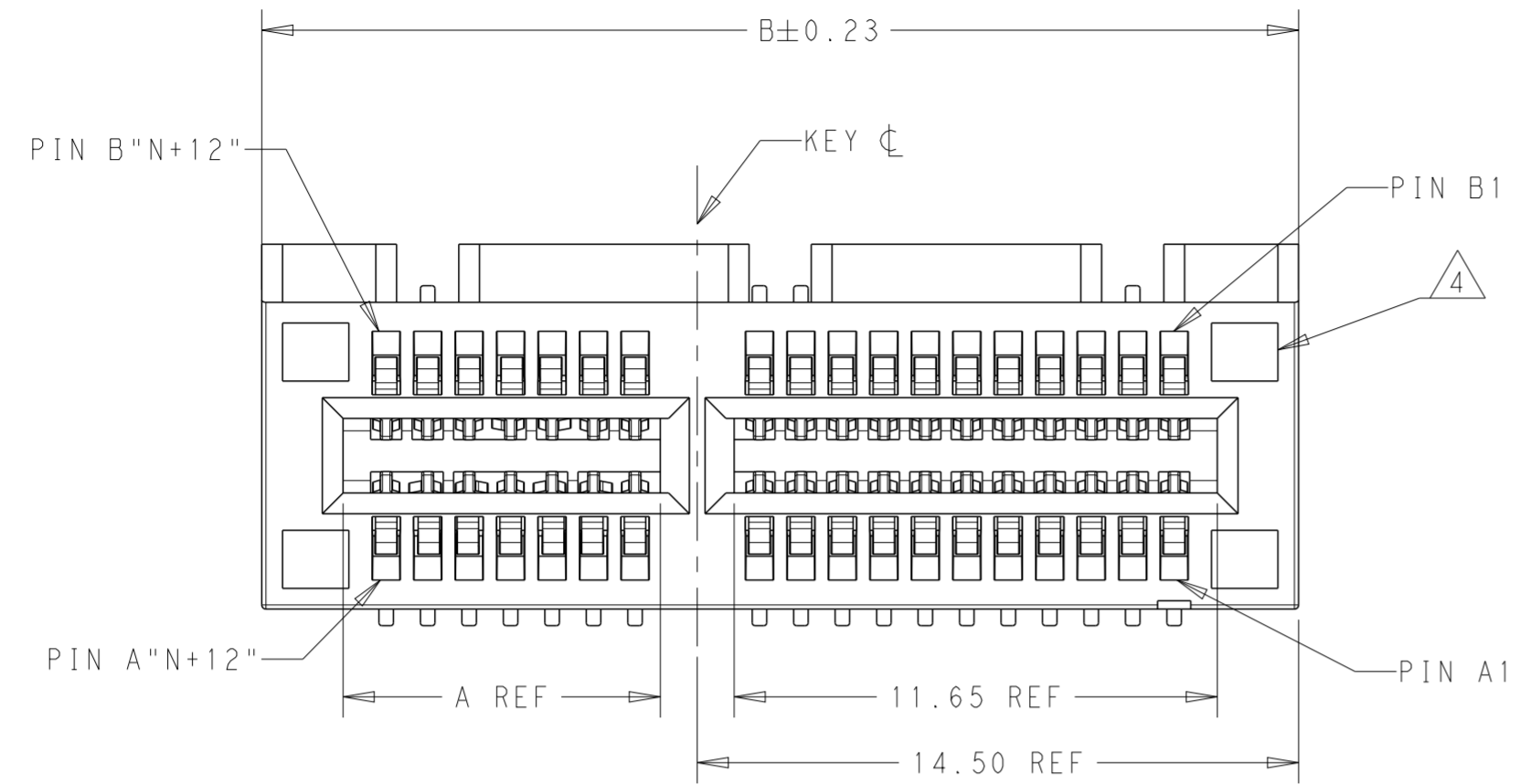


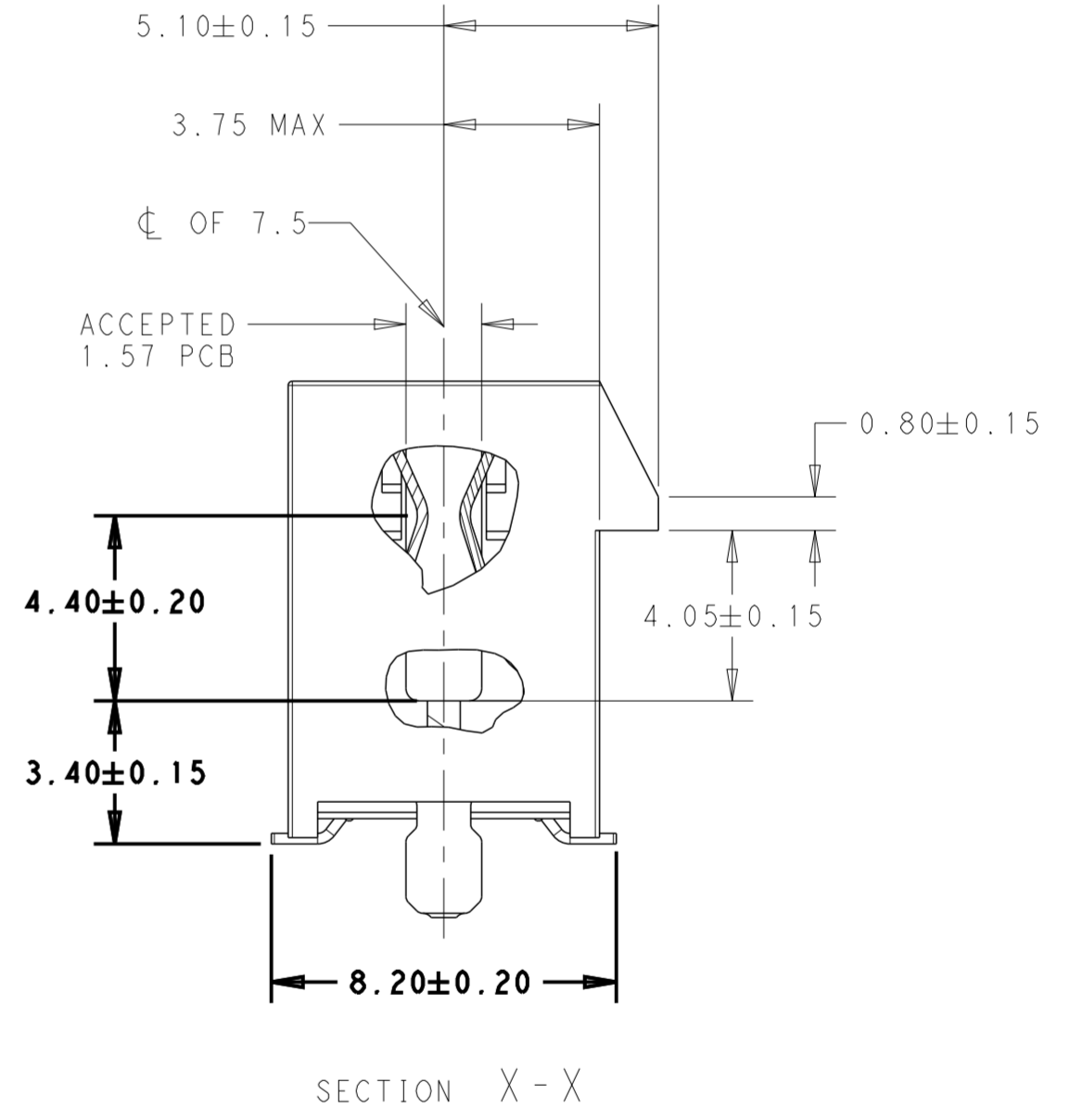
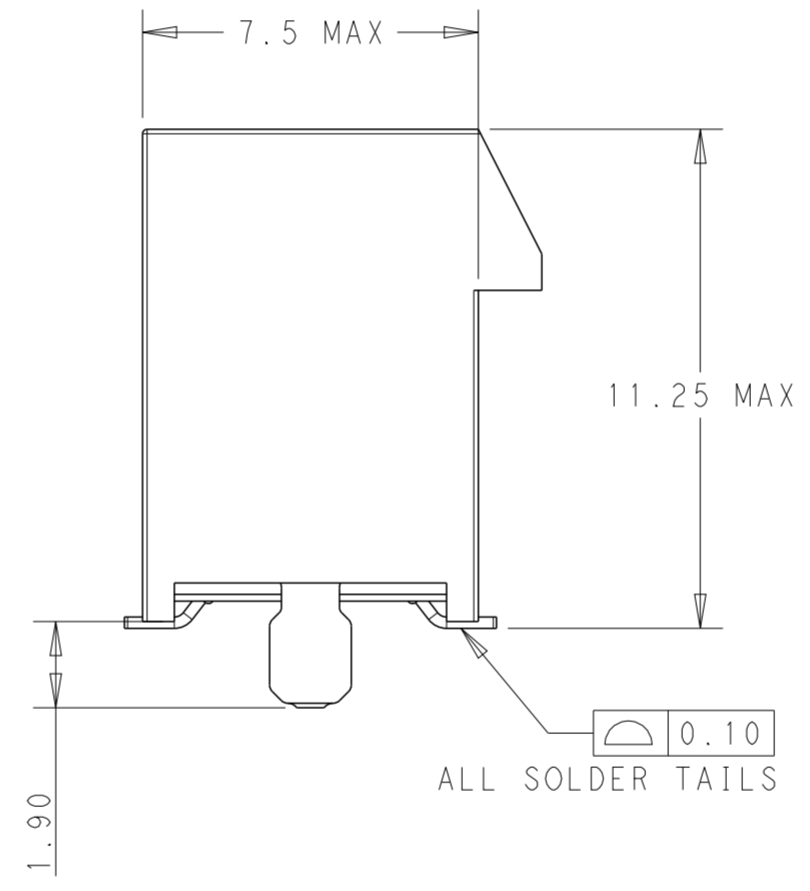
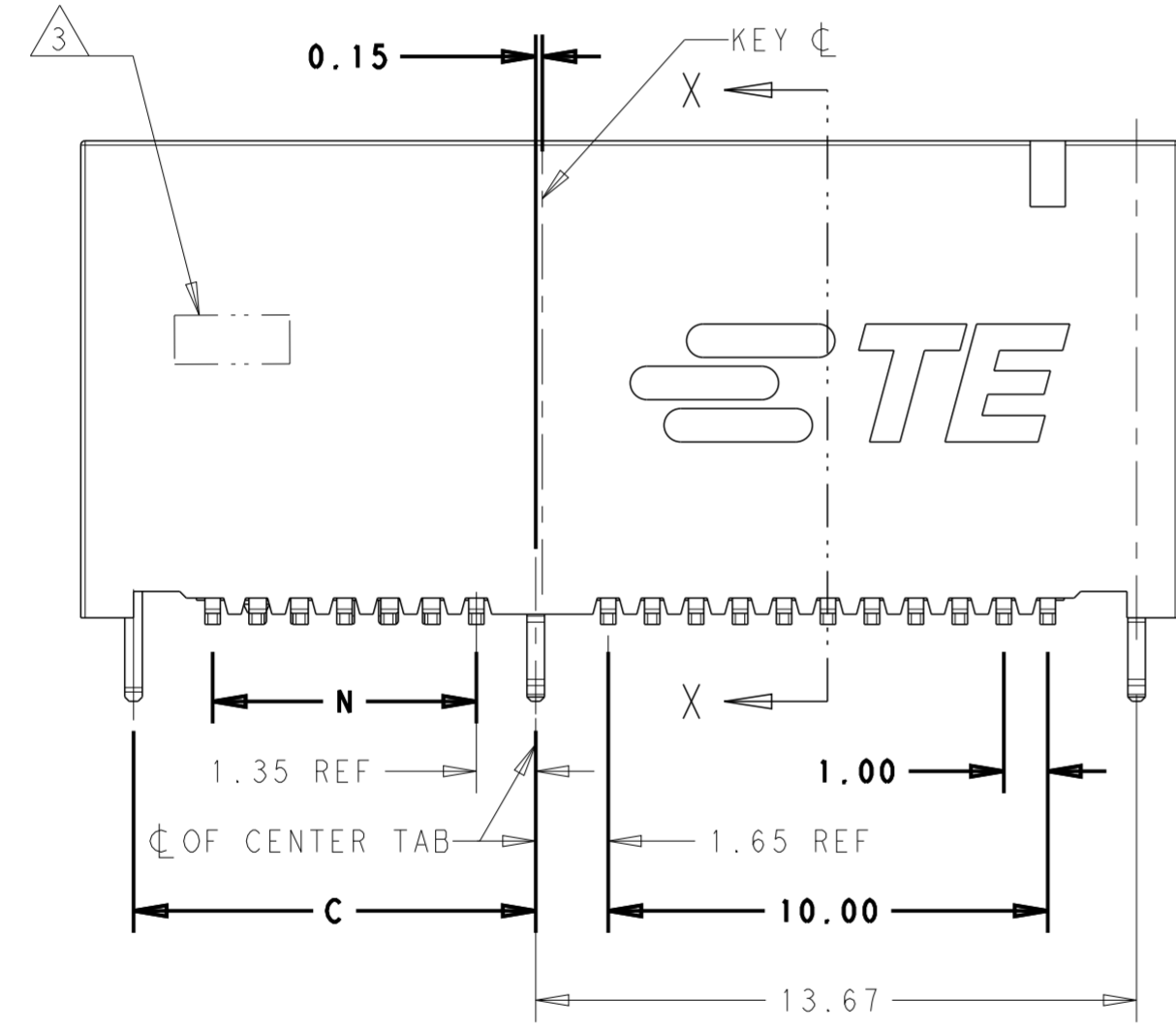
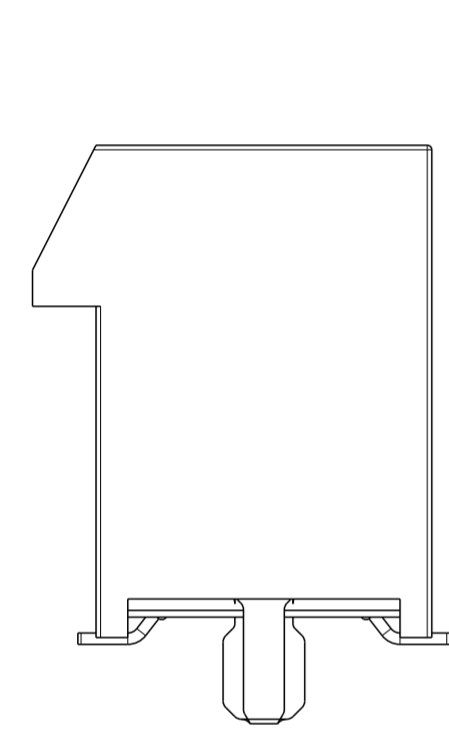
THIS DRAWING IS UNPUBLISHED. RELEASED FOR PUBLICATION 20  
 © COPYRIGHT 20 BY - ALL RIGHTS RESERVED.

REVISIONS				
P	LTR	DESCRIPTION	DATE	APVD
A		A REVISION RELEASE	7JUNE2022	SY HL
B		UPDATE HARD TRAY IN SHEETS	24NOV2022	MC HL



NOTES:

- 1 MATERIAL:  
HOUSING: HIGH-TEMP PLASTIC; BLACK, UL 94V-0  
CONTACT: COPPER ALLOY  
SOLDER TAB: STAINLESS STEEL
- 2 FINISH:  
(SEE TABLE)um GOLD PLATING OR GOLD FLASH OVER PdNi ON CONTACT AREA.  
2.54um MATTE-TIN PLATING ON SOLDER TAIL AREA.  
1.27um NICKEL UNDERPLATING OVERALL.
- 3 PART NUMBER AND DC PRINTED IN APPROPRIATE AREA OR OPPOSITE.
- 4 SUCH CORE AVOIDS PER MANUFACTURER'S CONVENIENCE


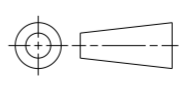


THIS DRAWING IS A CONTROLLED DOCUMENT.		DWN SANDERS_YAN 19AUG2020	TE Connectivity	
DIMENSIONS: mm		CHK MIKE_CHEN 19AUG2020		
TOLERANCES UNLESS OTHERWISE SPECIFIED:		APVD HOPE_LU 19AUG2020	NAME PCI EXPRESS CARD EDGE CONNECTOR GEN5, 1.9 SOLDER TAB	
0 PLC ±	1 PLC ±0.3	PRODUCT SPEC 108-160247	SIZE A2	CAGE CODE 00779
2 PLC ±0.20	3 PLC ±0.050	APPLICATION SPEC -	DRAWING NO C-2378762	RESTRICTED TO -
4 PLC ±	ANGLES ±	WEIGHT -	SCALE 6:1	SHEET 1 OF 6
FINISH		CUSTOMER DRAWING	REV B	

THIS DRAWING IS UNPUBLISHED. RELEASED FOR PUBLICATION 20  
 © COPYRIGHT 20 BY - ALL RIGHTS RESERVED.

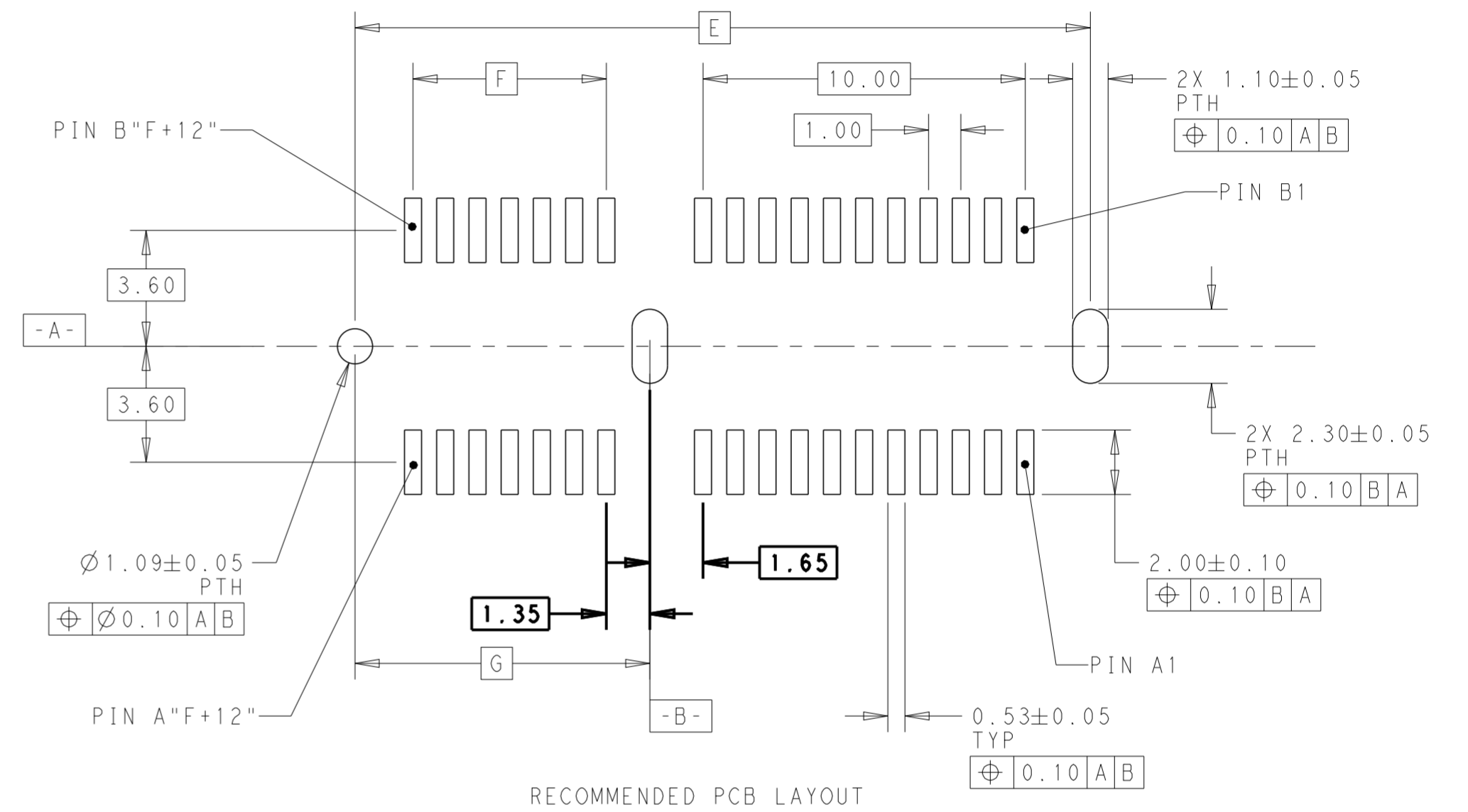
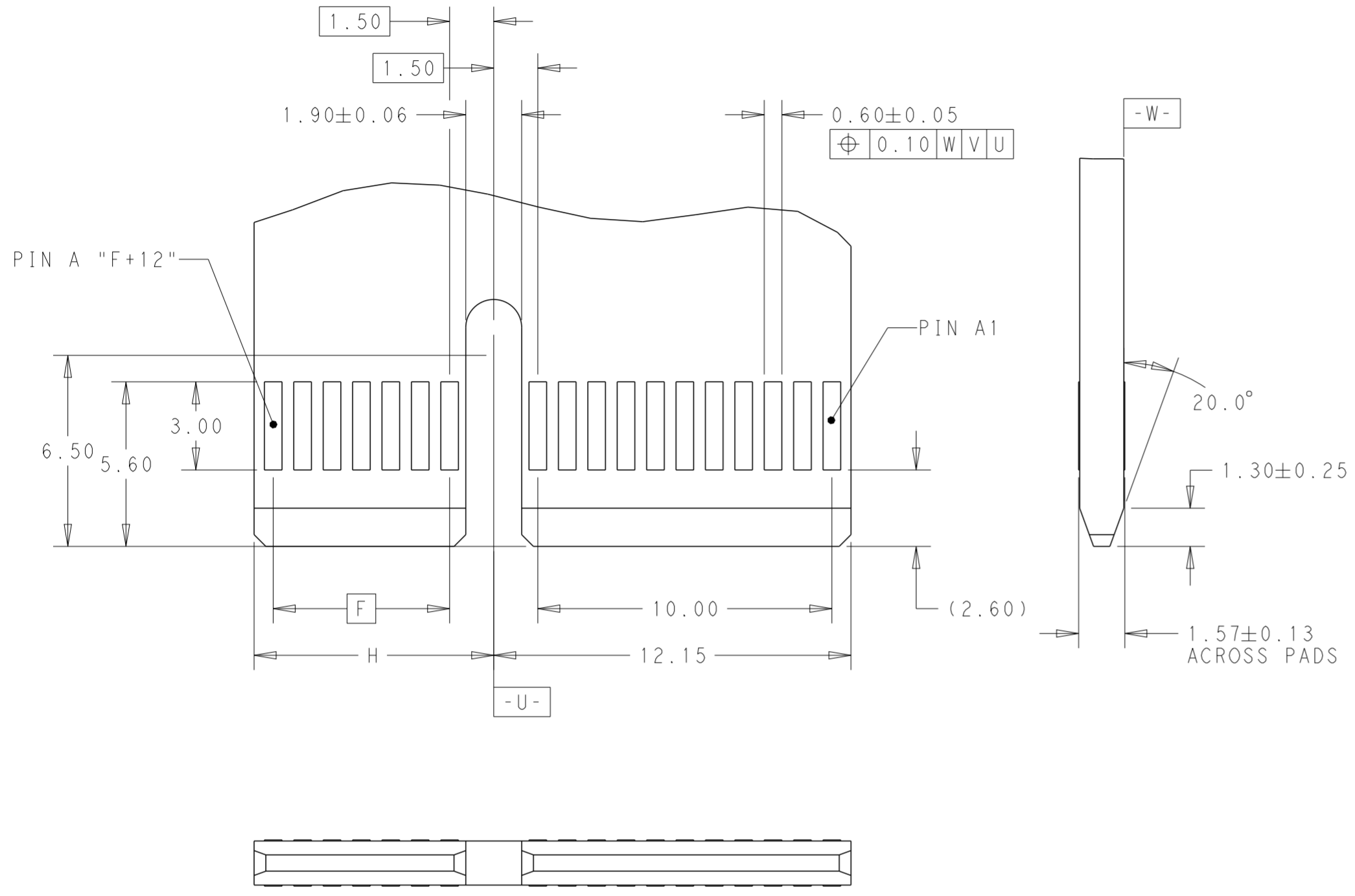
REVISIONS				
P	LTR	DESCRIPTION	DATE	APVD
-	-	SEE SHEET 1	-	-

30u"	45.0	8	44.5	70	73.15	89	71.65	164	7-2378762-4
30u"	86.5	8	44.5	70	73.15	89	71.65	164	5-2378762-8
30u"	53.5	8	28	37	40.15	56	38.65	98	5-2378762-7
30u"	36.5	8	19.5	20	23.15	39	21.65	64	5-2378762-6
30u"	22.5	8	12.5	6	9.15	25	7.65	36	5-2378762-5
30u"	10.0	8	44.5	70	73.15	89	71.65	164	5-2378762-4
30u"	10.0	8	28	37	40.15	56	38.65	98	5-2378762-3
30u"	10.0	8	19.5	20	23.15	39	21.65	64	5-2378762-2
30u"	10.0	8	12.5	6	9.15	25	7.65	36	5-2378762-1
15u"	86.5	8	44.5	70	73.15	89	71.65	164	4-2378762-8
15u"	53.5	8	28	37	40.15	56	38.65	98	4-2378762-7
15u"	36.5	8	19.5	20	23.15	39	21.65	64	4-2378762-6
15u"	22.5	8	12.5	6	9.15	25	7.65	36	4-2378762-5
15u"	10.0	8	44.5	70	73.15	89	71.65	164	4-2378762-4
15u"	10.0	8	28	37	40.15	56	38.65	98	4-2378762-3
15u"	10.0	8	19.5	20	23.15	39	21.65	64	4-2378762-2
15u"	10.0	8	12.5	6	9.15	25	7.65	36	4-2378762-1
G/F	86.5	8	44.5	70	73.15	89	71.65	164	3-2378762-8
G/F	53.5	8	28	37	40.15	56	38.65	98	3-2378762-7
G/F	36.5	8	19.5	20	23.15	39	21.65	64	3-2378762-6
G/F	22.5	8	12.5	6	9.15	25	7.65	36	3-2378762-5
G/F	10.0	8	44.5	70	73.15	89	71.65	164	3-2378762-4
G/F	10.0	8	28	37	40.15	56	38.65	98	3-2378762-3
G/F	10.0	8	19.5	20	23.15	39	21.65	64	3-2378762-2
G/F	10.0	8	12.5	6	9.15	25	7.65	36	3-2378762-1
30u"		NA	44.5	70	73.15	89	71.65	164	2-2378762-4
30u"		NA	28	37	40.15	56	38.65	98	2-2378762-3
30u"		NA	19.5	20	23.15	39	21.65	64	2-2378762-2
30u"		NA	12.5	6	9.15	25	7.65	36	2-2378762-1
15u"		NA	44.5	70	73.15	89	71.65	164	1-2378762-4
15u"		NA	28	37	40.15	56	38.65	98	1-2378762-3
15u"		NA	19.5	20	23.15	39	21.65	64	1-2378762-2
15u"		NA	12.5	6	9.15	25	7.65	36	1-2378762-1
G/F		NA	44.5	70	73.15	89	71.65	164	2378762-4
G/F		NA	28	37	40.15	56	38.65	98	2378762-3
G/F		NA	19.5	20	23.15	39	21.65	64	2378762-2
G/F		NA	12.5	6	9.15	25	7.65	36	2378762-1
PRECIOUS PLATING THICKNESS (TOTAL)	W	V	J	N	C	B	A	POS.	PART NUMBER
	MYLAR SIZE (PAGE 4)								

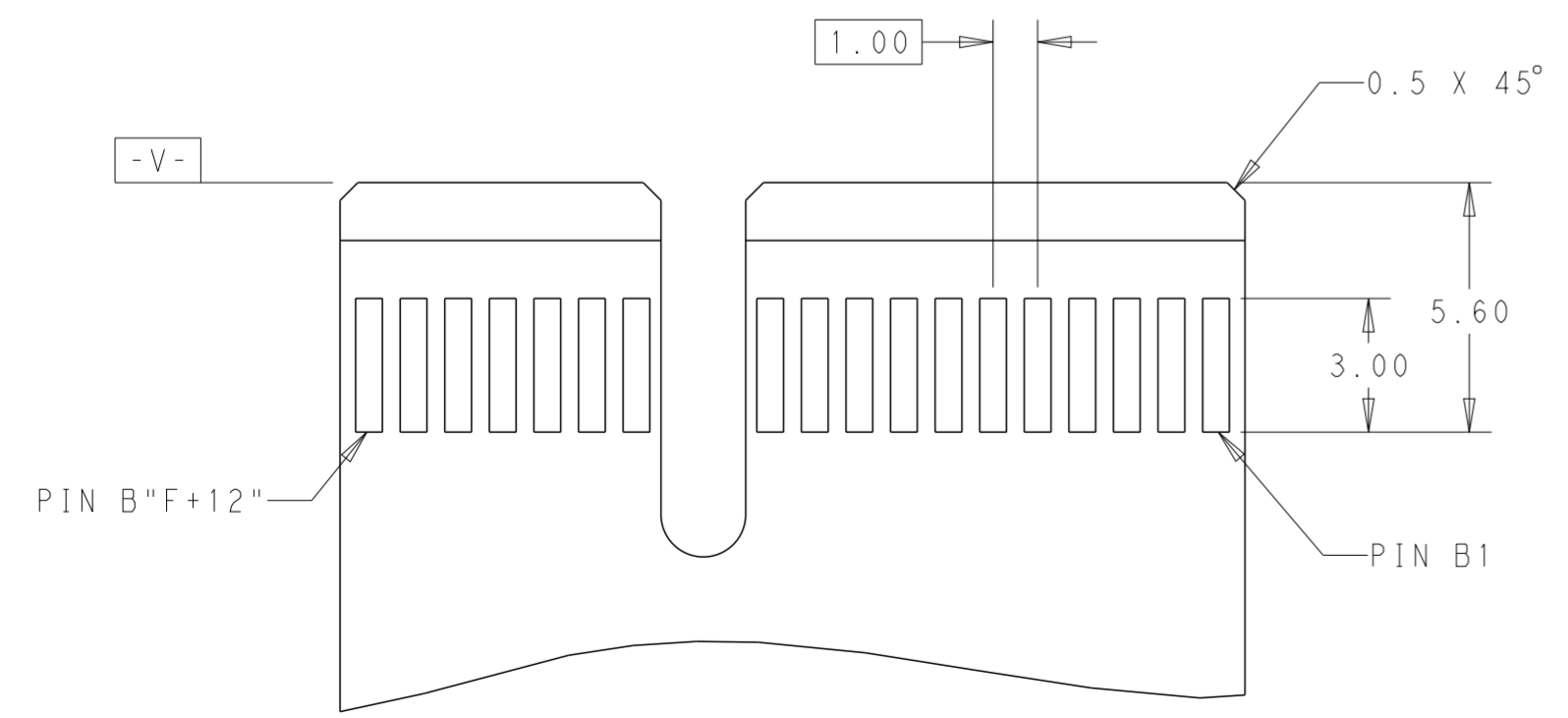
THIS DRAWING IS A CONTROLLED DOCUMENT.		DWN SANDERS YAN 19AUG2020	 TE Connectivity	
DIMENSIONS: mm		CHK MIKE CHEN 19AUG2020		
		APVD HOPE LU 19AUG2020	NAME PCI EXPRESS CARD EDGE CONNECTOR GEN5, 1.9 SOLDER TAB	
TOLERANCES UNLESS OTHERWISE SPECIFIED:		PRODUCT SPEC 108-160247	RESTRICTED TO	
0 PLC ±		APPLICATION SPEC	SIZE A2	CAGE CODE 00779
1 PLC ±0.3		WEIGHT	DRAWING NO C-2378762	SCALE 6:1
2 PLC ±0.20		CUSTOMER DRAWING	SHEET 2 OF 6	REV B
3 PLC ±0.050				
4 PLC ±				
ANGLES ±				
FINISH				

THIS DRAWING IS UNPUBLISHED. RELEASED FOR PUBLICATION 20  
 © COPYRIGHT 20 BY - ALL RIGHTS RESERVED.

REVISIONS				
P	LTR	DESCRIPTION	DATE	APVD
-	-	SEE SHEET 1	-	-



RECOMMENDED PCB LAYOUT



ADD-IN CARD EDGE-FINGER DIMENSION  
 DEFAULT TOLERANCE ±0.13

164	86.82	70	73.15	72.15
98	53.82	37	40.15	39.15
64	36.82	20	23.15	22.15
36	22.82	6	9.15	8.15
POS.	DIM. E	DIM. F	DIM. G	DIM. H

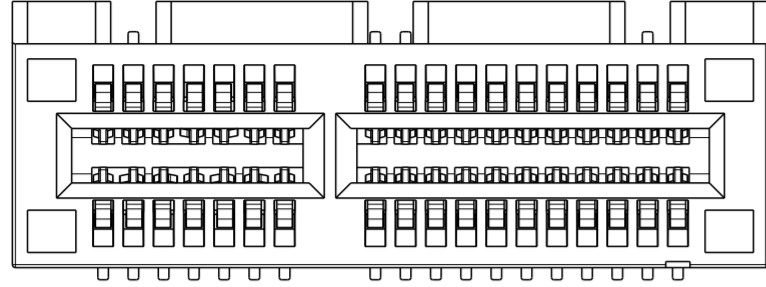
THIS DRAWING IS A CONTROLLED DOCUMENT.

DWN SANDERS YAN 19AUG2020	 TE Connectivity	NAME PCI EXPRESS CARD EDGE CONNECTOR GEN5, 1.9 SOLDER TAB		
CHK MIKE CHEN 19AUG2020				
APVD HOPE LU 19AUG2020				
PRODUCT SPEC 108-160247				
MATERIAL	SIZE	CAGE CODE	DRAWING NO	RESTRICTED TO
-	A2	00779	C-2378762	-
CUSTOMER DRAWING	SCALE	6:1	SHEET	3 OF 6
			REV	B

THIS DRAWING IS UNPUBLISHED. RELEASED FOR PUBLICATION 20  
 © COPYRIGHT 20 BY - ALL RIGHTS RESERVED.

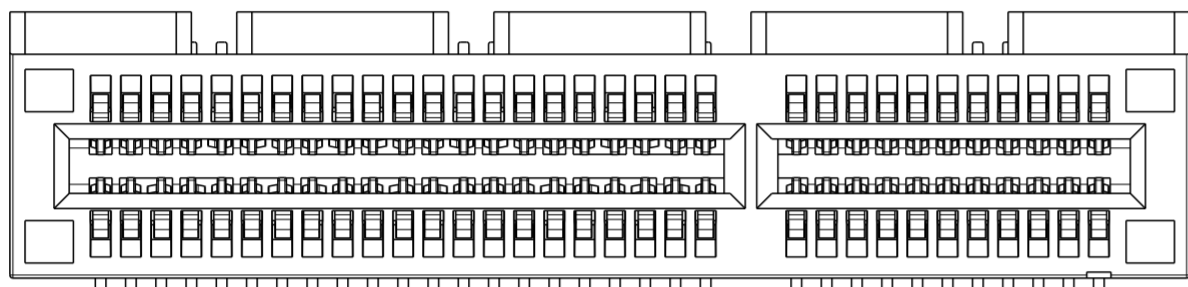
REVISIONS				
P	LTR	DESCRIPTION	DATE	APVD
-	-	SEE SHEET 1	-	-

FRONT VIEW



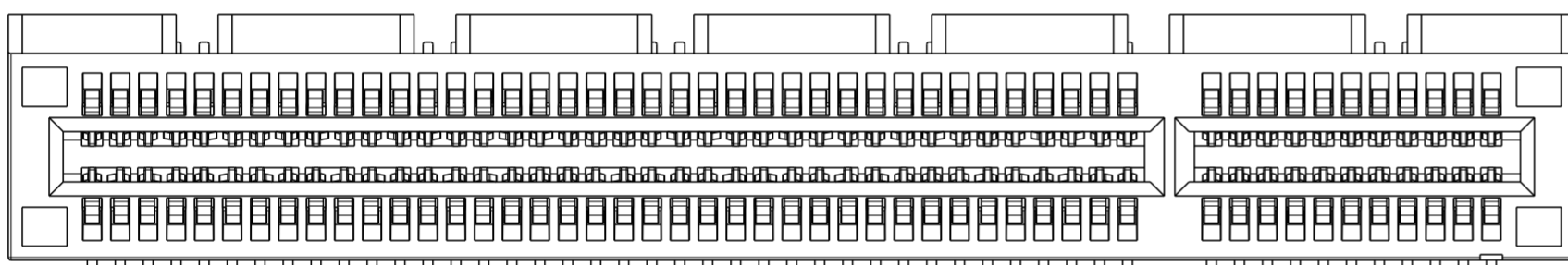
36POS AS SHOWN  
 SCALE: 4:1

FRONT VIEW



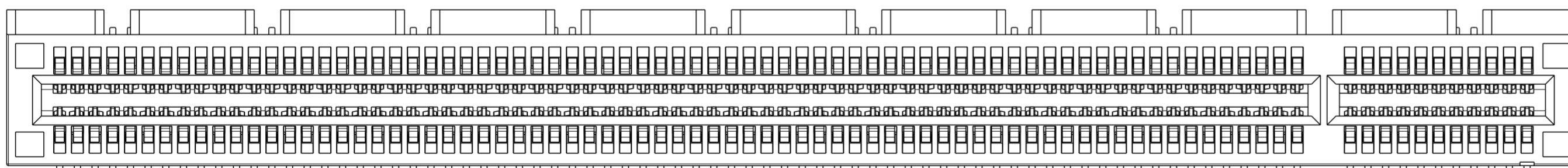
64POS AS SHOWN  
 SCALE: 4:1

FRONT VIEW

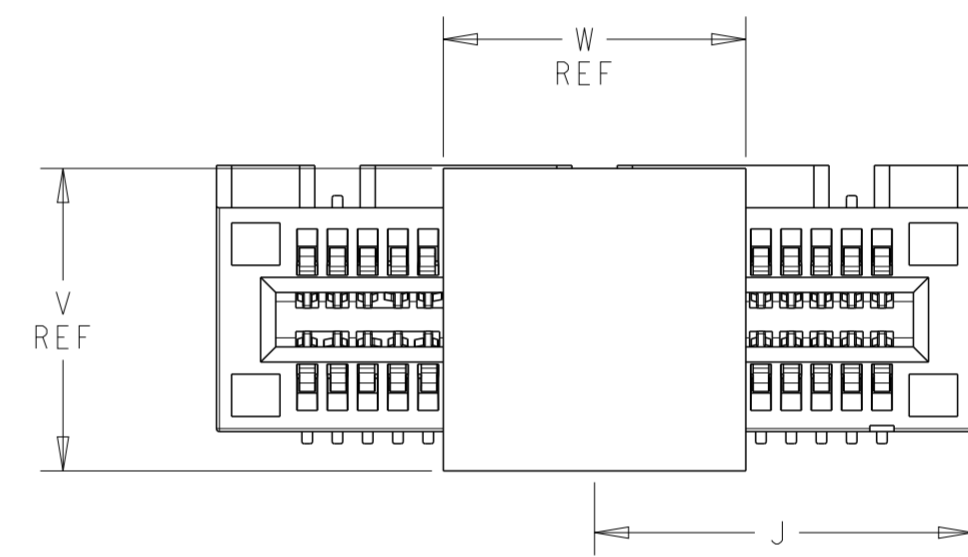


98POS AS SHOWN  
 SCALE: 4:1

FRONT VIEW



164POS AS SHOWN  
 SCALE: 4:1

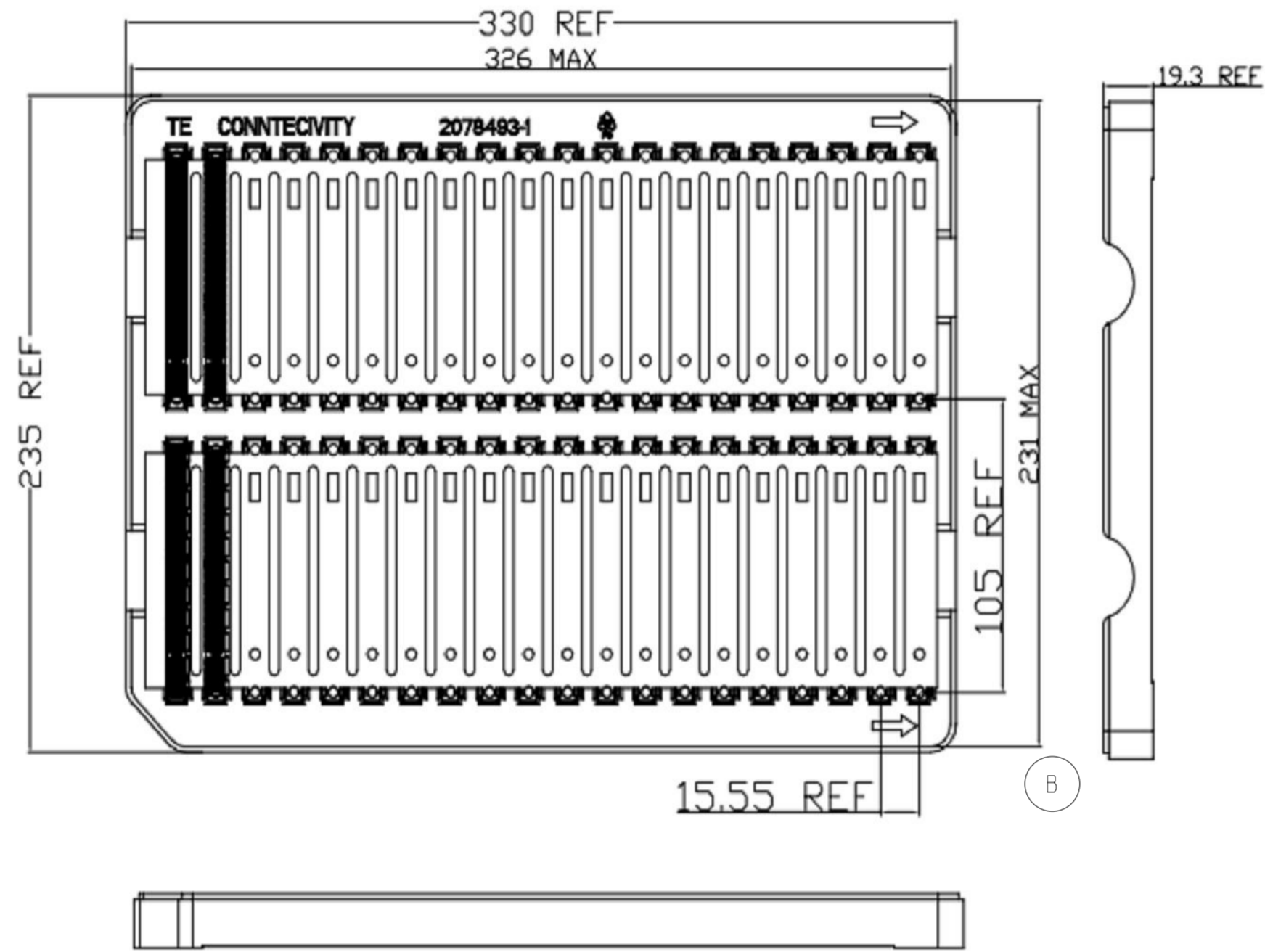


MYLAR SIZE  
 SCALE 4:1

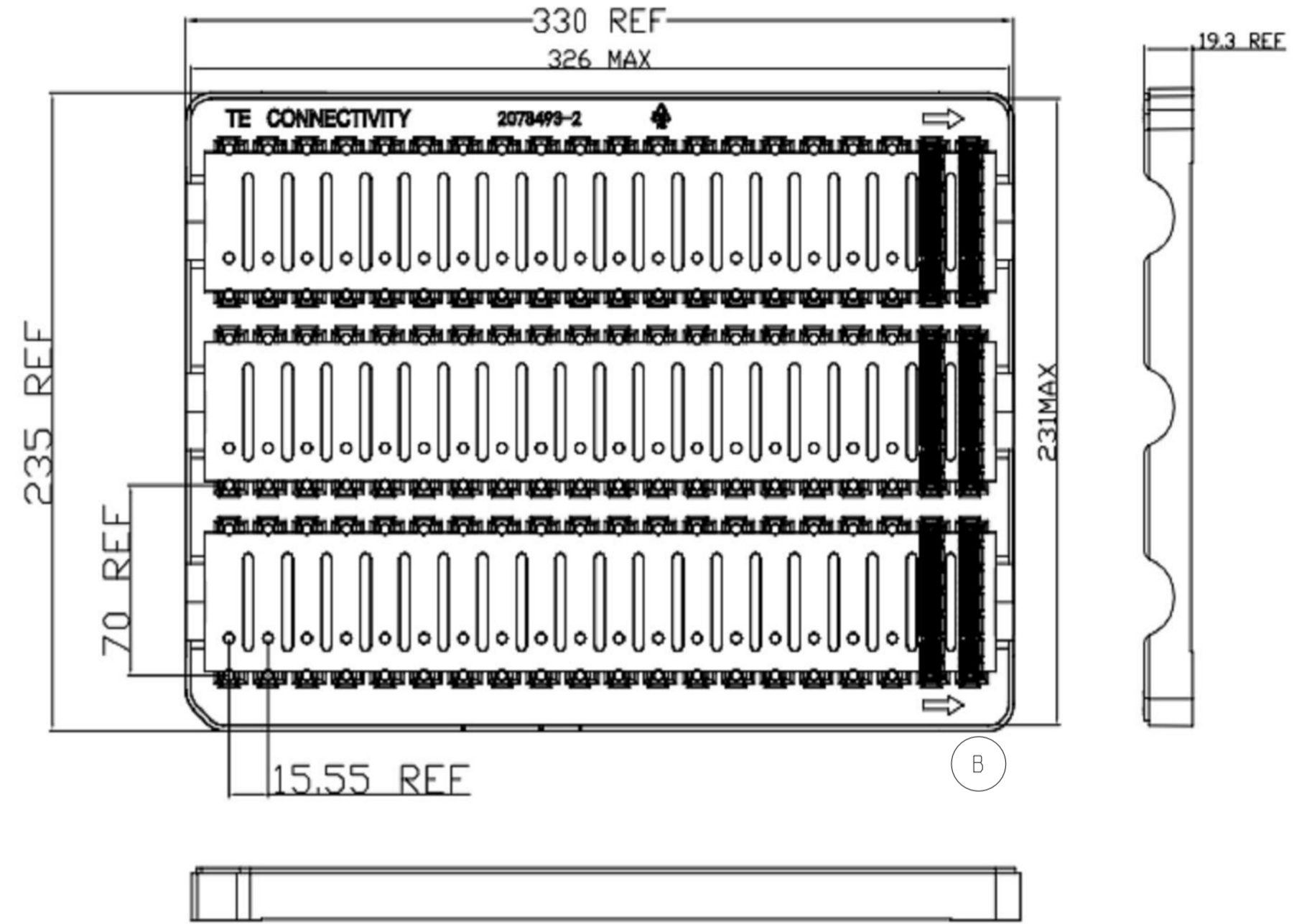
THIS DRAWING IS A CONTROLLED DOCUMENT.		DWN SANDERS, YAN 19AUG2020	TE Connectivity	
DIMENSIONS: mm		CHK MIKE, CHEN 19AUG2020		
TOLERANCES UNLESS OTHERWISE SPECIFIED:		APVD HOPE, LU 19AUG2020	NAME PCI EXPRESS CARD EDGE CONNECTOR GEN5, 1.9 SOLDER TAB	
0 PLC ±- 1 PLC ±0.3 2 PLC ±0.20 3 PLC ±0.050 4 PLC ±- ANGLES ±- FINISH -		PRODUCT SPEC 108-160247	SIZE A2	CAGE CODE 00779
MATERIAL -		APPLICATION SPEC -	DRAWING NO C-2378762	RESTRICTED TO -
		WEIGHT -	SCALE 3:1	SHEET 4 OF 6
		CUSTOMER DRAWING	REV B	

THIS DRAWING IS UNPUBLISHED. RELEASED FOR PUBLICATION 20  
 © COPYRIGHT 20 BY - ALL RIGHTS RESERVED.

REVISIONS				
P	LTR	DESCRIPTION	DATE	APVD
-	-	SEE SHEET 1	-	-



HARD TRAY: FOR 164 POS  
 SCALE: 1:2

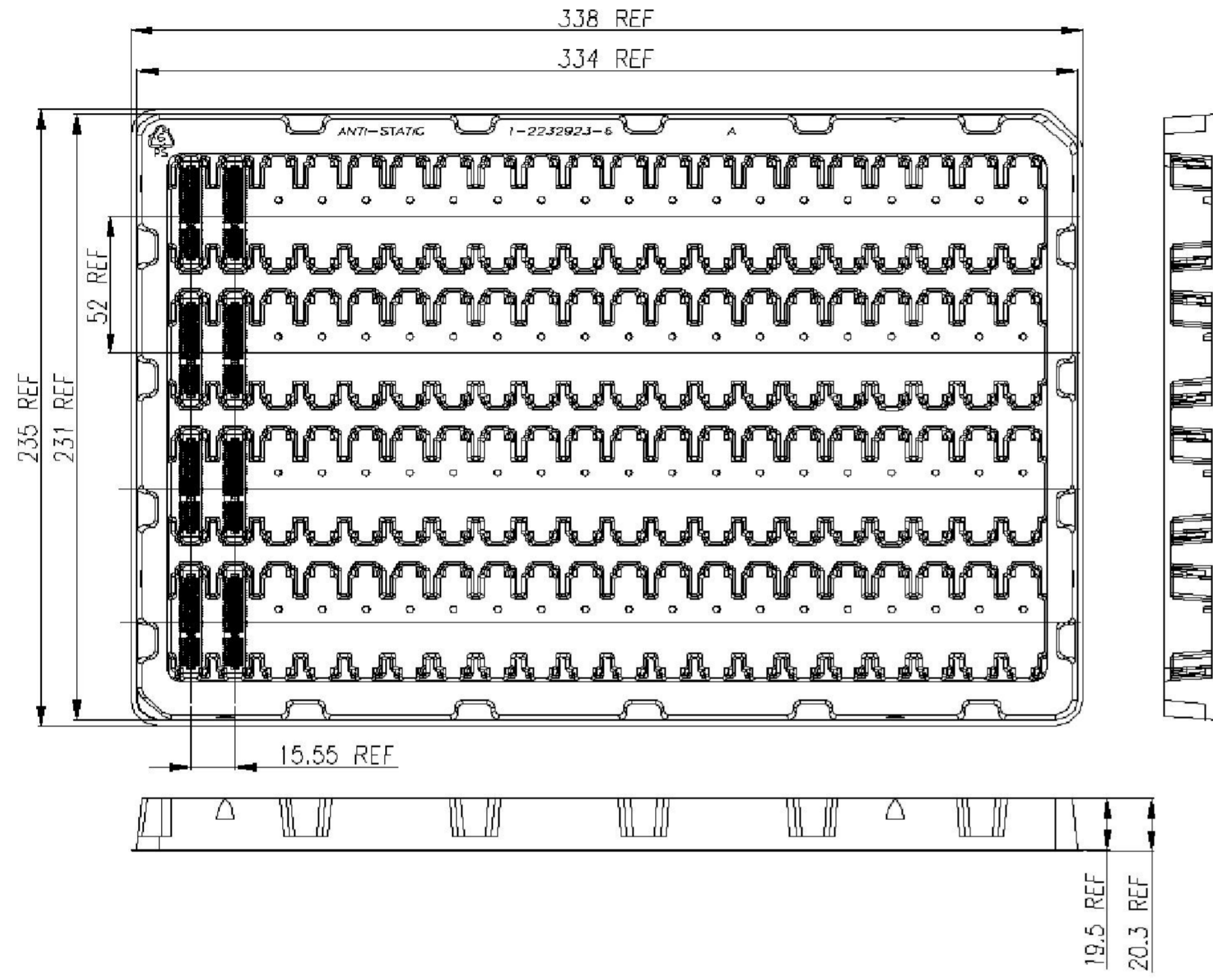


HARD TRAY: FOR 98 POS  
 SCALE: 1:2


THIS DRAWING IS A CONTROLLED DOCUMENT.		DWN 19AUG2020 SANDERS, YAN	<b>STE</b> TE Connectivity	
		CHK 19AUG2020 MIKE, CHEN		
DIMENSIONS: mm		APVD 19AUG2020 HOPE, LU	NAME PCI EXPRESS CARD EDGE CONNECTOR GEN5, 1.9 SOLDER TAB	
TOLERANCES UNLESS OTHERWISE SPECIFIED: 0 PLC ± 1 PLC ±0.3 2 PLC ±0.20 3 PLC ±0.050 4 PLC ± ANGLES ± FINISH		PRODUCT SPEC 108-160247	SIZE CAGE CODE DRAWING NO RESTRICTED TO A200779 C-2378762 -	
MATERIAL		APPLICATION SPEC	SCALE 6:1 SHEET 5 OF 6 REV B	
		WEIGHT	CUSTOMER DRAWING	

THIS DRAWING IS UNPUBLISHED. RELEASED FOR PUBLICATION 20  
 © COPYRIGHT 20 BY - ALL RIGHTS RESERVED.

REVISIONS				
P	LTR	DESCRIPTION	DATE	APVD
-		SEE SHEET 1	-	-



SOFT TRAY: FOR 64 POS  
 SCALE: 1:2

THIS DRAWING IS A CONTROLLED DOCUMENT.		DWN 19AUG2020 SANDERS, YAN	 TE Connectivity	
DIMENSIONS: mm		CHK 19AUG2020 MIKE, CHEN		
TOLERANCES UNLESS OTHERWISE SPECIFIED:		APVD 19AUG2020 HOPE, LU	NAME PCI EXPRESS CARD EDGE CONNECTOR GEN5, 1.9 SOLDER TAB	
0 PLC ± 1 PLC ±0.3 2 PLC ±0.20 3 PLC ±0.050 4 PLC ± ANGLES ± FINISH		PRODUCT SPEC 108-160247	SIZE A2	CAGE CODE 00779
MATERIAL -		APPLICATION SPEC -	DRAWING NO C-2378762	RESTRICTED TO -
		WEIGHT -	SCALE 6:1	SHEET 6 OF 6
		CUSTOMER DRAWING	REV B	