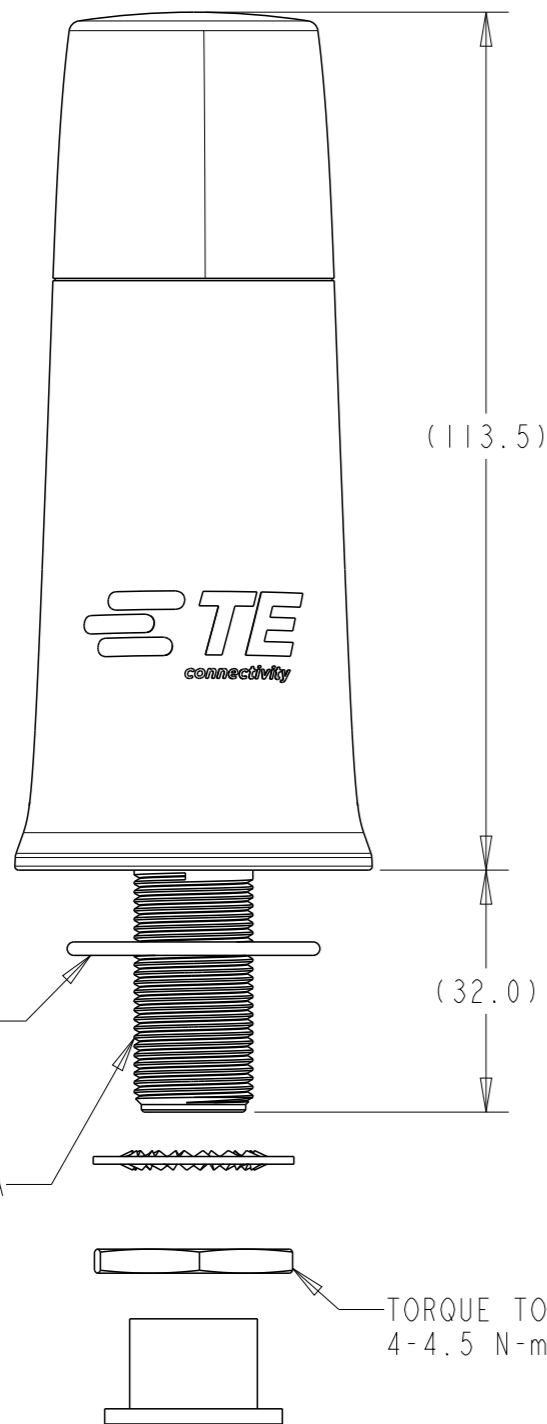
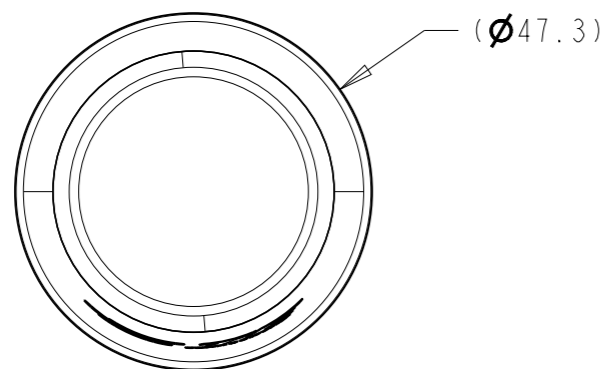


REVISIONS

| P | LTR | DESCRIPTION      | DATE      | DWN | APVD |
|---|-----|------------------|-----------|-----|------|
|   | I   | Initail Released | 28OCT2022 | TP  | SJ   |
|   | A   | ECN-22-184337    | 14NOV2022 | TP  | SJ   |
|   |     |                  |           |     |      |
|   |     |                  |           |     |      |



ENSURE BOTH O-RING ARE IN PLACE AT ASSEMBLY

5/8"-24 UNEF-2A THREAD

TORQUE TO 4-4.5 N-m

| Parameter  | Performance              |         |           |           |           |           |           |           |
|--|--------------------------|---------|-----------|-----------|-----------|-----------|-----------|-----------|
| Part Number                                      | FTRA6171M6PWN-001        |         |           |           |           |           |           |           |
| Frequency Bands, MHz                             | 617-698                  | 698-960 | 1427-1695 | 1695-2700 | 3300-4200 | 4400-6000 | 6000-6500 | 6500-7125 |
| VSWR (Max)                                       | 2.5:1                    | 2.0:1   | 2.0:1     | 2.0:1     | 2.5:1     | 3.5:1     | 3.5:1     | 3.5:1     |
| Peak Gain (Ave), dBi                             | -0.2                     | 0.6     | 1.6       | 3.3       | 6.1       | 7.5       | 7.9       | 8.6       |
| Gain (Ave) at Theta 80° (10° above horizon), dBi | -1.8                     | -1.1    | 1.5       | 0.2       | -3.9      | -3.0      | -8.2      | -5.3      |
| Total Efficiency (Ave), %                        | 54                       | 64      | 94        | 86        | 95        | 84        | 78        | 87        |
| Nominal Impedance, ohm                           | 50                       |         |           |           |           |           |           |           |
| Polarization                                     | Linear, Vertical         |         |           |           |           |           |           |           |
| Max Power (Ambient 25° C/77° F), watt            | 120                      | 120     | 60        | 60        | 60        | 20        | N/A       | N/A       |
| Azimuth Beamwidth, °                             | 360 , Omnidirectional    |         |           |           |           |           |           |           |
| Weight, g  | 308.8                    |         |           |           |           |           |           |           |
| Color  | White                    |         |           |           |           |           |           |           |
| Housing  | PC,UV Resistant,UL94 V-0 |         |           |           |           |           |           |           |
| Connector  | N-Female                 |         |           |           |           |           |           |           |
| Operating Temperature                            | -40° C ~ +85° C          |         |           |           |           |           |           |           |
| Storage Temperature                              | -40° C ~ +85° C          |         |           |           |           |           |           |           |
| RoHS Compliance                                  | YES                      |         |           |           |           |           |           |           |
| Ingression                                       | IP67                     |         |           |           |           |           |           |           |

THIS DRAWING IS A CONTROLLED DOCUMENT.

DWN TP CHEE 21OCT2022  
 CHK CY HANG 21OCT2022  
 APVD SJ 21OCT2022



NAME OMNI, PH, PMT, 617-7125MHz NGP, WHITE, 6dBI  
 -

|                   |  |
|-------------------|--|
| DIMENSIONS:<br>mm | TOLERANCES UNLESS OTHERWISE SPECIFIED: |
|                   | 0 PLC ±-                               |
|                   | 1 PLC ±0.1                             |
|                   | 2 PLC ±0.01                            |
|                   | 3 PLC ±0.001                           |
|                   | 4 PLC ±0.0001                          |
|                   | ANGLES ±-                              |
| MATERIAL<br>N/A   | FINISH<br>N/A                          |

PRODUCT SPEC -  
 APPLICATION SPEC -  
 WEIGHT 308.8g  
 CUSTOMER DRAWING

|           |                 |                             |                 |
|-----------|-----------------|-----------------------------|-----------------|
| SIZE A3   | CAGE CODE 00779 | DRAWING NO. ©-FTRA6171M6PWN | RESTRICTED TO - |
| SCALE 1:2 |                 | SHEET 1 OF 1                | REV A           |