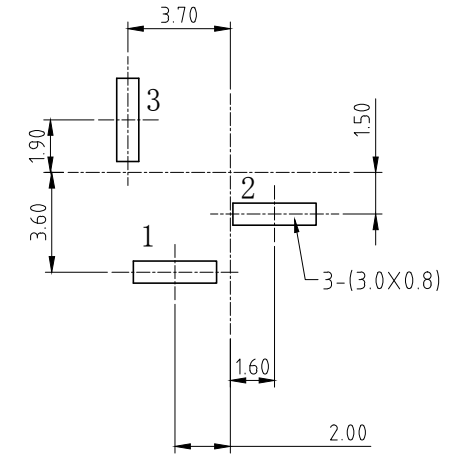
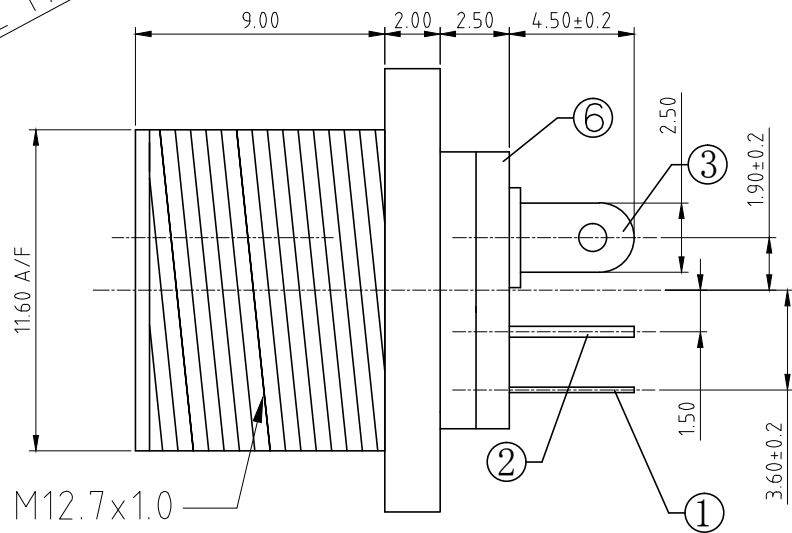
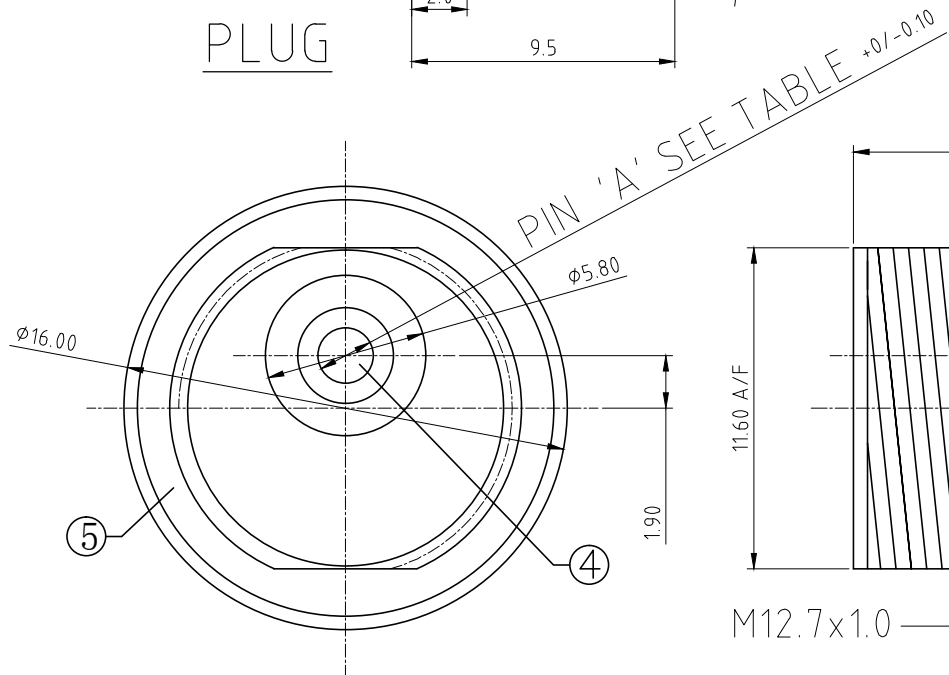
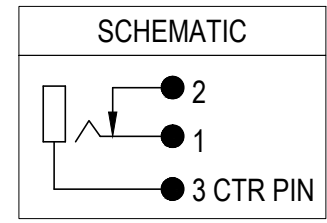
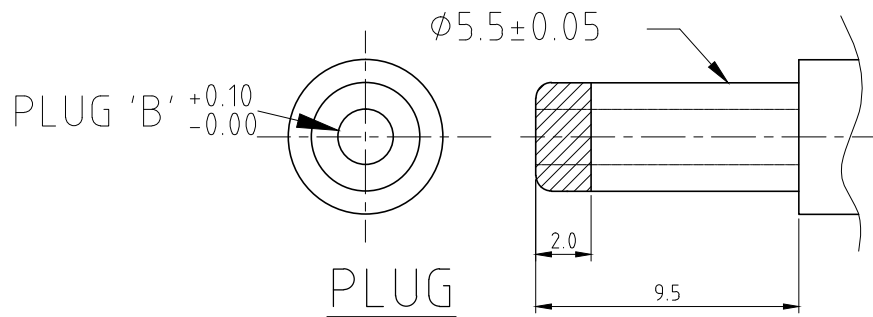


ISS.	AMEND	DATE
1	1st DRAWN	07/05/13
2	A/F DIM ADD	27/11/13
3	PIN 1+3 REVERSE	16/04/15



P.C.B LAYOUT(±0.1)
(TOP VIEW)

PART No	PIN A Ø	PLUG B Ø
FC681473	Ø2.10	Ø2.05
FC681474	Ø2.50	Ø2.55

SUPPLIED WITH NUT

RoHS
COMPLIANT

TOLERANCE
NO DEC. PLACE ± 0.50
1 DEC. PLACE ± 0.30
2 DEC. PLACE ± 0.15
HOLE Ø ±
ANGLES ± 3°
UNLESS OTHERWISE STATED

DO NOT SCALE

No.	DESCRIPTION	QTY	MATERIAL	PLATING & COLOR
6	COVER	1	PBT	BLACK
5	HOUSING	1	PBT	BLACK
4	PIN	1	BRASS	NICKEL PLATE
3	CONTACT	1	BRASS	TIN PLATE
2	CONTACT	1	BRASS	TIN PLATE
1	SPRING	1	SUS	TIN PLATE

Cliff Electronic Components Ltd.
76 Holmehorpe Avenue, Holmehorpe Industrial Estate,
Redhill, Surrey, RH1 2PF, England, UK
Tel: 01737-771375 Fax: 01737-766012 Website: www.cliffuk.co.uk

DIMENSIONS IN MILLIMETERS UNLESS OTHERWISE STATED. WORK TO DIMENSIONS. REMOVE ALL BURRS. IF IN DOUBT ASK.

3rd ANGLE PROJECTION:

THE CONTENTS OF THIS DOCUMENT MUST NOT BE COPIED OR DISCLOSED TO A 3rd PARTY WITHOUT WRITTEN PERMISSION OF CLIFF UK. © 2013

MATERIAL: SEE TABLE	DRAWN: T.J.O.	APPROVED: D.P.J.
FINISH: CLEAN - SEE TABLE		

TITLE: M12.7 PANEL MT DC SOCKET (2.1mm/2.5mm)	DRWG. No. FC681473	FORM: A4DRWGH