

ITEM	PART#	DESCRIPTION	QTY	UOM
A	510650500	Micro-Latch 2.0 Rec Housing 5P	1	PC
B	503728000	Micro-Latch 2.0 Crimp R Term Tin #22-26	5	PC
C	--	PAPER PRINTED PAPER WHITE (S100X150YAJ)	1	PC

FROM	TO	DESCRIPTION	COLOR
A1	--	1X22AWG DISC SR-PVC BK UL10002	BLACK
A2	--	1X22AWG DISC SR-PVC BK UL10002	BLACK
A3	--	1X22AWG DISC SR-PVC BK UL10002	BLACK
A4	--	1X22AWG DISC SR-PVC BK UL10002	BLACK
A5	-	1X22AWG DISC SR-PVC BK UL10002	BLACK

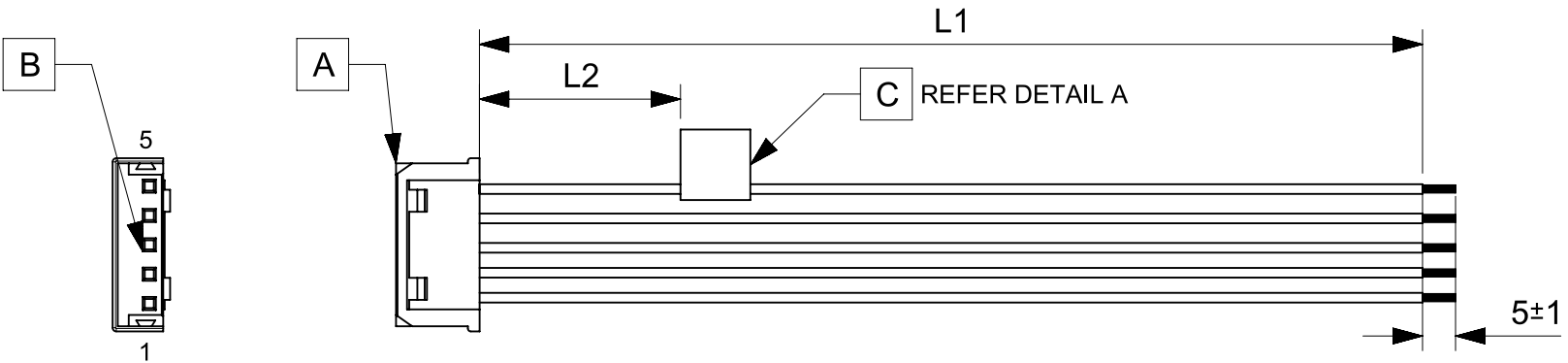


TABLE			
PART NUMBER	L1	L2 (REF)	TITLE
2196791050	50±3	15	Micro Latch 2.0 R-S 5ckt 50mm disc Sn
2196791051	100±3	15	Micro Latch 2.0 R-S 5ckt 100mm disc Sn
2196791052	150±4	15	Micro Latch 2.0 R-S 5ckt 150mm disc Sn
2196791053	300±4	15	Micro Latch 2.0 R-S 5ckt 300mm disc Sn
2196791054	600±6	15	Micro Latch 2.0 R-S 5ckt 600mm disc Sn

NOTES

1. Connector view shown is from mating side.
2. Label text must be 2mm max. in height with Arial font.
3. Label must be wrapped in Flag type on a single cable.
4. Free ends must be stripped, twisted & tinned. The length of tinning is 5±1mm. Tinning Dia must be 0.9 mm Max.

REVISION			
DATE	REV	DESCRIPTION	CHANGER
2022/02/27	A	INITIAL RELEASE	SAIKIG

MOLEX P/N
MOLEX
BATCH WK/YR
DETAIL A

FUNCTIONAL SYMBOLS FA = 0 FE = 0 FP = 0	THIS DRAWING CONTAINS INFORMATION THAT IS PROPRIETARY TO MOLEX ELECTRONIC TECHNOLOGIES, LLC AND SHOULD NOT BE USED WITHOUT WRITTEN PERMISSION		CURRENT REV DESC:		molex			
	DIMENSION UNITS	SCALE	GENERAL TOLERANCES (UNLESS SPECIFIED)					
	mm	NTS	ANGULAR TOL ± °					
	4 PLACES ±		EC NO: 697300					
DIVISIONAL SYMBOLS	3 PLACES ±		DRWN: SAIKIG 2022/02/21		SEE TABLE			
	2 PLACES ±		CHK'D: MNARAYAN01 2022/03/08					
	1 PLACE ±		APPR: MNARAYAN01 2022/03/08					
	0 PLACES ±		INITIAL REVISION:					
DRAFT WHERE APPLICABLE MUST REMAIN WITHIN DIMENSIONS		THIRD ANGLE PROJECTION	DRAWING	SERIES	DOCUMENT NUMBER	DOC TYPE	DOC PART	REVISION
			A4-SIZE	219679	2196791050	PSD	000	A
					MATERIAL NUMBER	CUSTOMER		SHEET NUMBER
					SEE TABLE	GENERAL MARKET		1 OF 1

FORMAT: master-db-prod-A4
REVISION: J
DATE: 2020/01/14