

ITEM	PART#	DESCRIPTION	QTY	UOM
A	510650500	Micro-Latch 2.0 Rec Housing 5P	1	PC
B	503728000	Micro-Latch 2.0 Crimp R Term Tin #22-26	5	PC
C	--	PAPER PRINTED PAPER WHITE (S100X150YAJ)	1	PC

FROM	TO	DESCRIPTION	COLOR
A1	--	1X22AWG DISC SR-PVC BK UL10002	BLACK
A2	--	1X22AWG DISC SR-PVC BK UL10002	BLACK
A3	--	1X22AWG DISC SR-PVC BK UL10002	BLACK
A4	--	1X22AWG DISC SR-PVC BK UL10002	BLACK
A5	-	1X22AWG DISC SR-PVC BK UL10002	BLACK

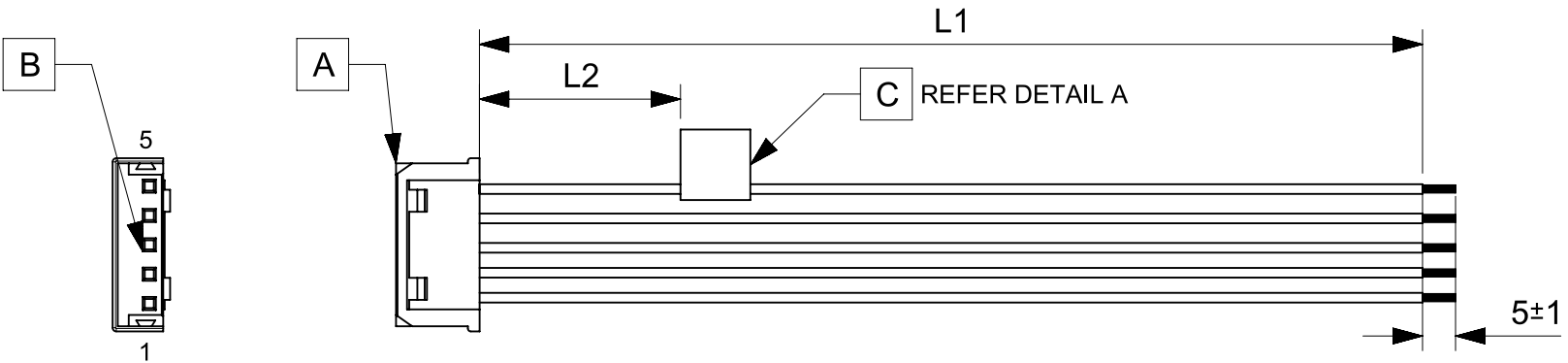


TABLE			
PART NUMBER	L1	L2 (REF)	TITLE
2196791050	50±3	15	Micro Latch 2.0 R-S 5ckt 50mm disc Sn
2196791051	100±3	15	Micro Latch 2.0 R-S 5ckt 100mm disc Sn
2196791052	150±4	15	Micro Latch 2.0 R-S 5ckt 150mm disc Sn
2196791053	300±4	15	Micro Latch 2.0 R-S 5ckt 300mm disc Sn
2196791054	600±6	15	Micro Latch 2.0 R-S 5ckt 600mm disc Sn

**NOTES**

1. Connector view shown is from mating side.
2. Label text must be 2mm max. in height with Arial font.
3. Label must be wrapped in Flag type on a single cable.
4. Free ends must be stripped, twisted & tinned. The length of tinning is 5±1mm. Tinning Dia must be 0.9 mm Max.

MOLEX P/N  
MOLEX  
BATCH WK/YR  
DETAIL A

REVISION			
DATE	REV	DESCRIPTION	CHANGER
2022/02/27	A	INITIAL RELEASE	SAIKIG

FUNCTIONAL SYMBOLS FA = 0 FE = 0 FP = 0	THIS DRAWING CONTAINS INFORMATION THAT IS PROPRIETARY TO MOLEX ELECTRONIC TECHNOLOGIES, LLC AND SHOULD NOT BE USED WITHOUT WRITTEN PERMISSION		CURRENT REV DESC:		<b>molex</b>
	DIMENSION UNITS	SCALE	GENERAL TOLERANCES (UNLESS SPECIFIED)		
DIVISIONAL SYMBOLS	mm	NTS	ANGULAR TOL ± °		SEE TABLE
	4 PLACES	±	4 PLACES ±		
	3 PLACES	±	3 PLACES ±		PRODUCT CUSTOMER DRAWING
	2 PLACES	±	2 PLACES ±		
	1 PLACE	±	1 PLACE ±		DOCUMENT NUMBER <b>2196791050</b>
	0 PLACES	±	0 PLACES ±		
DRAFT WHERE APPLICABLE MUST REMAIN WITHIN DIMENSIONS		THIRD ANGLE PROJECTION	DRAWING	SERIES	DOC TYPE PSD
			A4-SIZE	219679	DOC PART 000
					REVISION A
					SHEET NUMBER 1 OF 1