

ITEM	PART#	DESCRIPTION	QTY	UOM
A	510650800	Micro-Latch 2.0 Rec Housing 8P	1	PC
B	503728000	Micro-Latch 2.0 Crimp R Term Tin #22-26	8	PC
C	--	PAPER PRINTED PAPER WHITE (S100X150YAJ)	1	PC

FROM	TO	DESCRIPTION	COLOR
A1	--	1X22AWG DISC SR-PVC BK UL10002	BLACK
A2	--	1X22AWG DISC SR-PVC BK UL10002	BLACK
A3	--	1X22AWG DISC SR-PVC BK UL10002	BLACK
A4	--	1X22AWG DISC SR-PVC BK UL10002	BLACK
A5	--	1X22AWG DISC SR-PVC BK UL10002	BLACK
A6	--	1X22AWG DISC SR-PVC BK UL10002	BLACK
A7	--	1X22AWG DISC SR-PVC BK UL10002	BLACK
A8	--	1X22AWG DISC SR-PVC BK UL10002	BLACK

MOLEX P/N
MOLEX
BATCH WK/YR

DETAIL A

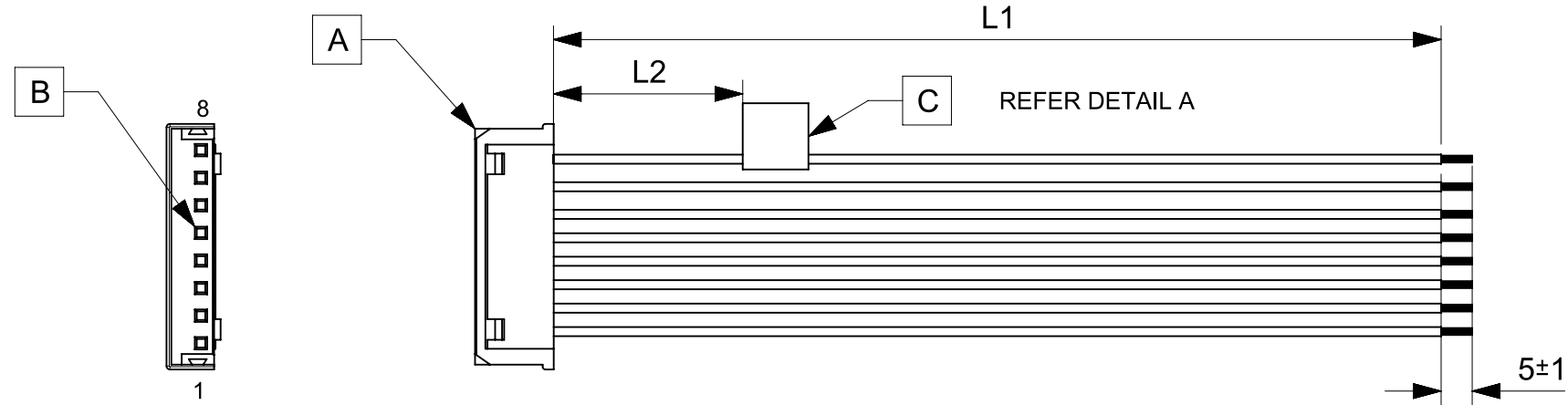


TABLE			
PART NUMBER	L1	L2 (REF)	TITLE
2196791080	50±3	15	Micro Latch 2.0 R-S 8ckt 50mm disc Sn
2196791081	100±3	15	Micro Latch 2.0 R-S 8ckt 100mm disc Sn
2196791082	150±4	15	Micro Latch 2.0 R-S 8ckt 150mm disc Sn
2196791083	300±4	15	Micro Latch 2.0 R-S 8ckt 300mm disc Sn
2196791084	600±6	15	Micro Latch 2.0 R-S 8ckt 600mm disc Sn

REVISION			
DATE	REV	DESCRIPTION	CHANGER
2022/02/27	A	INITIAL RELEASE	SAIKIG

NOTES

1. Connector view shown is from mating side.
2. Label text must be 2mm max. in height with Arial font.
3. Label must be wrapped in Flag type on a single cable.
4. Free ends must be stripped, twisted & tinned. The length of tinning is 5±1mm. Tinning Dia must be 0.9 mm Max.

FUNCTIONAL SYMBOLS FA = 0 FE = 0 FP = 0	THIS DRAWING CONTAINS INFORMATION THAT IS PROPRIETARY TO MOLEX ELECTRONIC TECHNOLOGIES, LLC AND SHOULD NOT BE USED WITHOUT WRITTEN PERMISSION		CURRENT REV DESC:		molex
	DIMENSION UNITS	SCALE	EC NO: 697300		
	mm	NTS	DRWN: SAIKIG 2022/02/21		
	GENERAL TOLERANCES (UNLESS SPECIFIED)		CHK'D: MNARAYAN01 2022/03/08		
DIVISIONAL SYMBOLS	ANGULAR TOL ± °		APPR: MNARAYAN01 2022/03/08		SEE TABLE
	4 PLACES	±	INITIAL REVISION:		
	3 PLACES	±	DRWN: SAIKIG 2022/02/21		
	2 PLACES	±	APPR: MNARAYAN01 2022/03/08		
1 PLACE	±	DOCUMENT NUMBER		2196791080	
0 PLACES	±	DOC TYPE			
DRAFT WHERE APPLICABLE MUST REMAIN WITHIN DIMENSIONS		THIRD ANGLE PROJECTION	DRAWING	SERIES	DOC PART
			A4-SIZE	219679	000
					REVISION
					A
					MATERIAL NUMBER
					SEE TABLE
					CUSTOMER
					GENERAL MARKET
					SHEET NUMBER
					1 OF 1