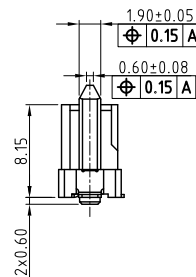
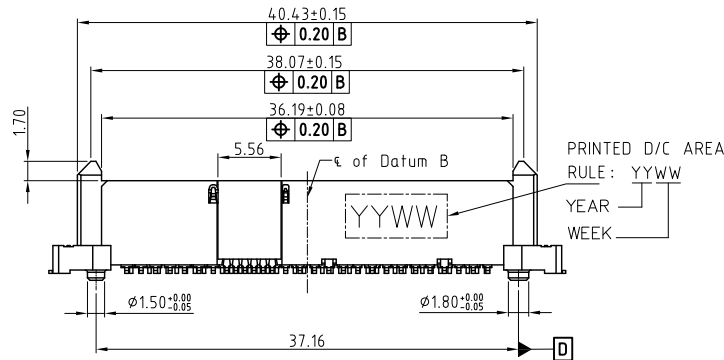
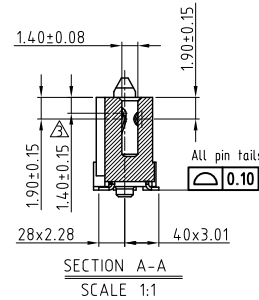
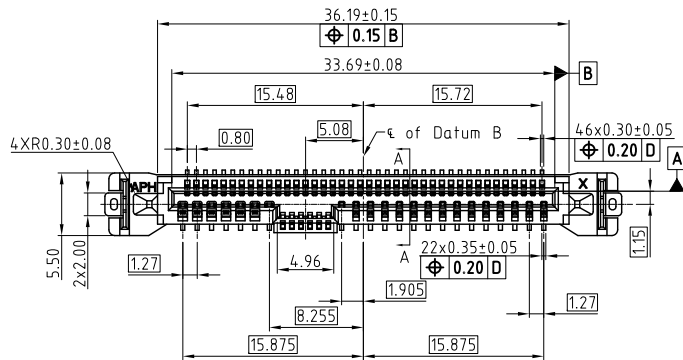
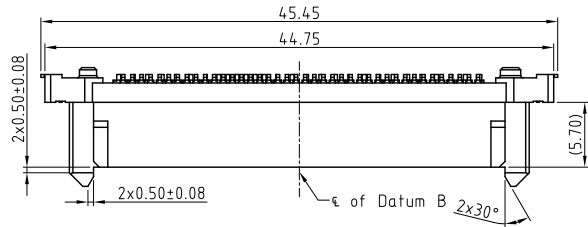


This document is the property of Amphenol Corporation and is delivered on the express condition that it is not to be disclosed, reproduced or used, in whole or in part, for manufacture or sale by anyone other than Amphenol Corporation without its prior consent, & that no right is granted to disclose or to use any information in this document.

CUSTOMER DRAWING

REVISIONS				
SYM	ECN	DESCRIPTION	DATE	APPROVED
1	NA	FIRST RELEASE	09/17/19	IP
2	NA	UPDATED DIMS TOLERANCE BY CUSTOMER'S REQUEST	12/19/19	IP



NOTES

- MATERIAL
 - HOUSING: HIGH TEMPERATURE THERMOPLASTIC, UL94V-0, COLOR:BLACK.
 - CONTACTS : PHOSPHOR BRONZE
PLATING: REFER TO P/N SYSTEM ON MATING AREA.
1.27um MIN NICKEL UNDER PLATED OVERALL.
2.54um MIN PURE MATTE TIN ON SOLDER TAILS.
 - SOLDER CLIPS: COPPER ALLOY
2.54um MIN PURE MATTE TIN OVER 1.27um MIN NICKEL.
- GENERAL SPECIFICATION
 - CURRENT RATING: 1.5A/PER PIN (POWER SECTION).
 - CONTACT RESISTANCE: 30mΩ MAX (INITIAL).
 - INSULATOR RESISTANCE: 1000MΩ MIN.
 - DIELECTRIC WITHSTANDING VOLTAGE: 500 VAC
 - OPERATION TEMPERATURE: -55°C~+105°C
- PREMATING AT P4 & P12
- SUPPORT PCIe GEN4 AND SAS3.0
- DIMENSIONING SHALL BE INTERPRETED PER ASME Y14.5M 1994.
- MATERIAL SHOULD BE FULFILLED AMPHENOL SPEC.# S-SN-002, FOR HALOGEN FREE PRODUCTS, ALSO NEED TO MEET S-SN-004.
- ORDER P/N SYSTEM: PSAS4F313028XXX

MATING AREA PLATING
 1- 0.76um MIN Au.
 2- 0.38um MIN Au.
 3- Gold FLASH

PACKING STYLE
 NIL- TRAY
 TR- TAPE AND REEL

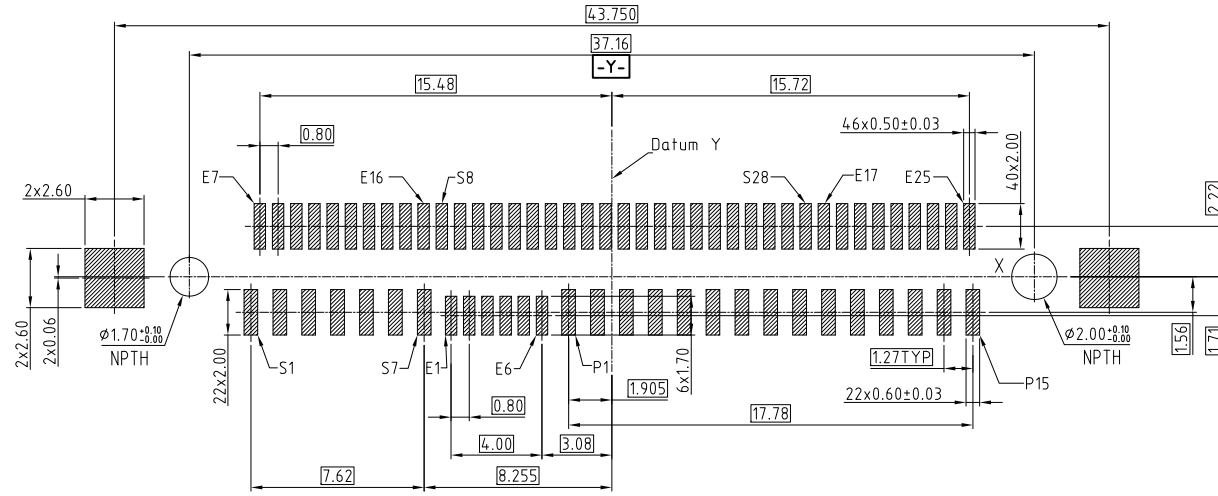


UNLESS OTHERWISE SPECIFIED TOLERANCES		APPROVAL	DATE	Amphenol Amphenol East Asia Limited	
	U.S. METRIC	DRAWN	Jackie Tan		12/19/19
.X	+/- 0.50	CHECKED	Xiang Wang		12/19/19
.XX	+/- 0.25	CHECKED			
.XXX	+/- 0.20				
FRACTIONS +/-	3'	DRAWING FILE :	Drawing\PSAS\PSAS4F313028XXX-2		
SEE NOTES		REMOVE SHARP EDGES	ANGLE OF PROJECTION	TITLE PCIe/SAS VERTICAL SMT RECEPTACLE	
		DIMENSIONS		SIZE DRAWING NO. A3 PSAS4F313028XXX	
U.S.	INCHES			REV. 2	
(METRIC)	(MM)			SCALE NONE SHEET 1 OF 3	

This document is the property of Amphenol Corporation and is delivered on the express condition that it is not to be disclosed, reproduced or used, in whole or in part, for manufacture or sale by anyone other than Amphenol Corporation without its prior consent, & that no right is granted to disclose or to use any information in this document.

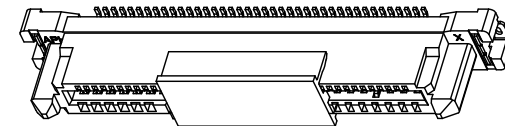
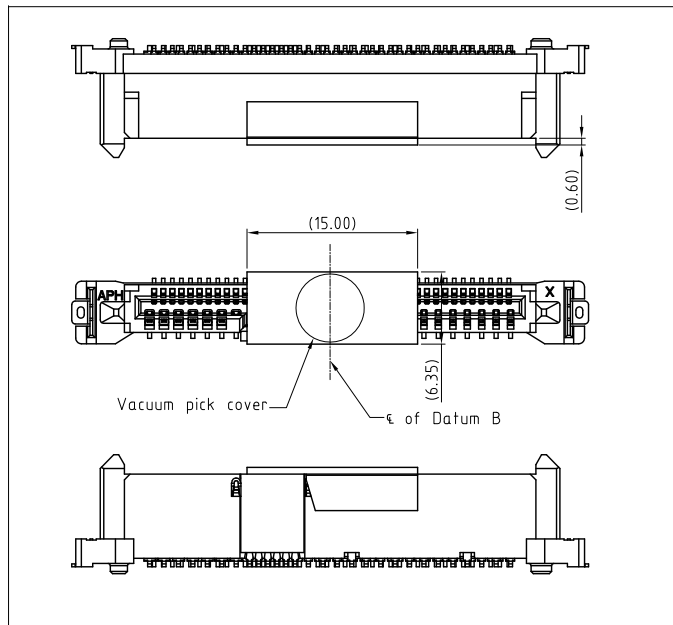
CUSTOMER DRAWING

REVISIONS				
SYM	ECN	DESCRIPTION	DATE	APPROVED
REFER TO SHEET 1				



RECOMMENDED PCB LAYOUT(TOP VIEW)
 GENERAL TOLERANCE ±0.05mm(PCB THICKNESS:1.0~2.0mm)

With Pick-up Cover



UNLESS OTHERWISE SPECIFIED TOLERANCES		APPROVAL	DATE	Amphenol
	U.S. METRIC	DRAWN	Jackie Tan	
.X	+/- 0.50	CHECKED	Xiang Wang	12/19/19
.XX	+/- 0.25	CHECKED		
.XXX	+/- 0.20			
FRACTIONS	+/- 3'	DRAWING FILE :	Drawing\PSAS\PSAS4\F313028XXX-2	
SEE NOTES		REMOVE SHARP EDGES	ANGLE OF PROJECTION	
DIMENSIONS		U.S. INCHES		
(METRIC)		(MM)		
SIZE	DRAWING NO.	REV.	TITLE	
A3	PSAS4F313028XXX	2	PCle/SAS VERTICAL SMT RECEPTACLE	
SCALE	NONE	SHEET 2 OF 3		Amphenol East Asia Limited

This document is the property of Amphenol Corporation and is delivered on the express condition that it is not to be disclosed, reproduced or used, in whole or in part, for manufacture or sale by anyone other than Amphenol Corporation without its prior consent, & that no right is granted to disclose or to use any information in this document.

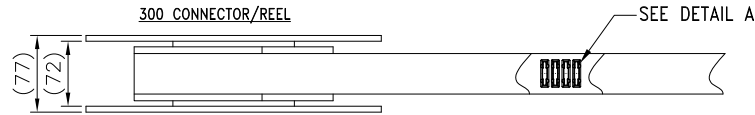
CUSTOMER DRAWING

REVISIONS

SYM	ECN	DESCRIPTION	DATE	APPROVED
REFER TO SHEET 1				

D

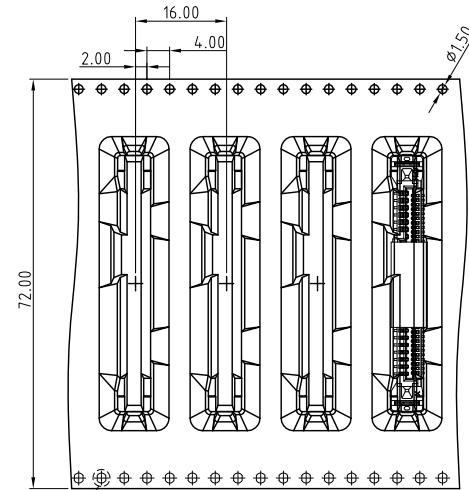
D



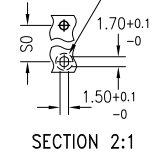
USER'S FEEDING DIRECTION

PACKING DIRECTION

CUSTOMER'S FEEDING DIRECTION

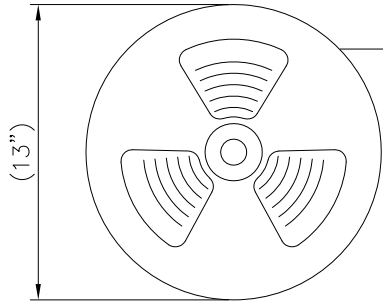


DETAIL A
SCALE 2:1



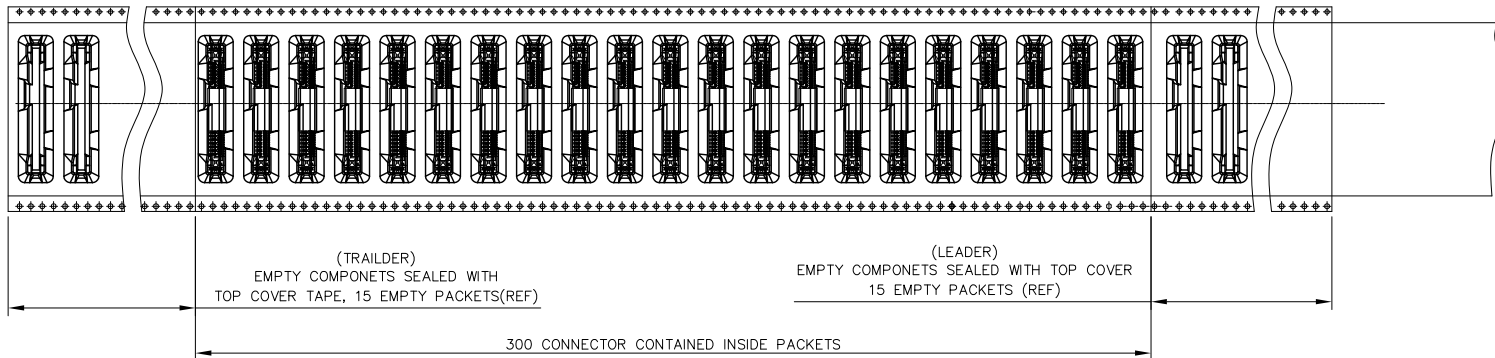
C

C



B

B



A

A



CUSTOMER'S FEEDING DIRECTION



UNLESS OTHERWISE SPECIFIED TOLERANCES U.S. METRIC .X +/- 0.50 .XX +/- 0.25 .XXX +/- 0.20 FRACTIONS +/- 3" ANGLES +/- FOR MATERIALS AND FINISHES SEE NOTES REMOVE SHARP EDGES DIMENSIONS U.S. INCHES (METRIC) (MM)	APPROVAL DRAWN Jackie Tan 12/19/19 CHECKED Xiang Wang 12/19/19 CHECKED	DATE 12/19/19	Amphenol Amphenol East Asia Limited TITLE PCIe/SAS VERTICAL SMT RECEPTACLE	
	DRAWING FILE : Drawing\PSAS\PSAS4F313028XXX-2			
	SIZE A3	DRAWING NO. PSAS4F313028XXX		REV. 2
	SCALE NONE	SHEET 3 OF 3		

4

3

2

1