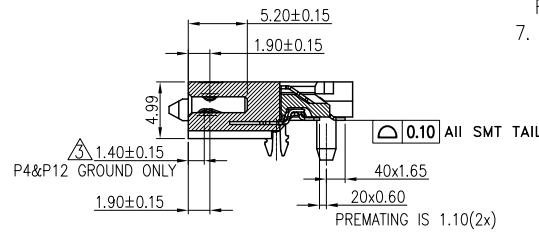
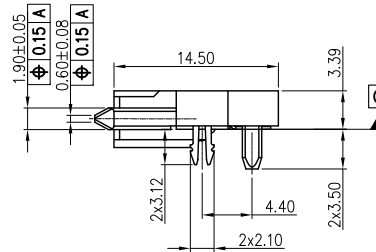
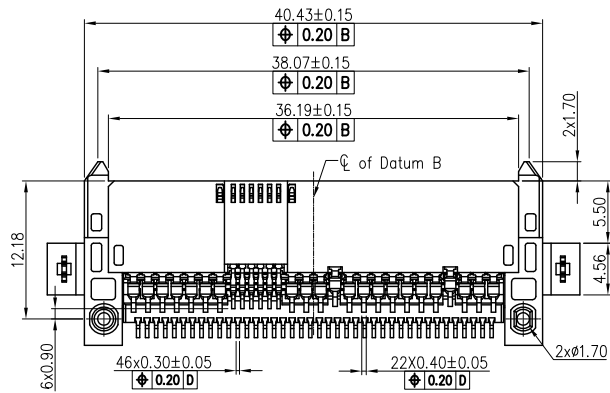
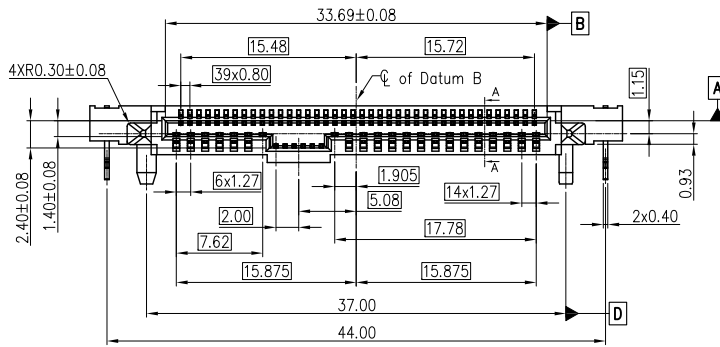
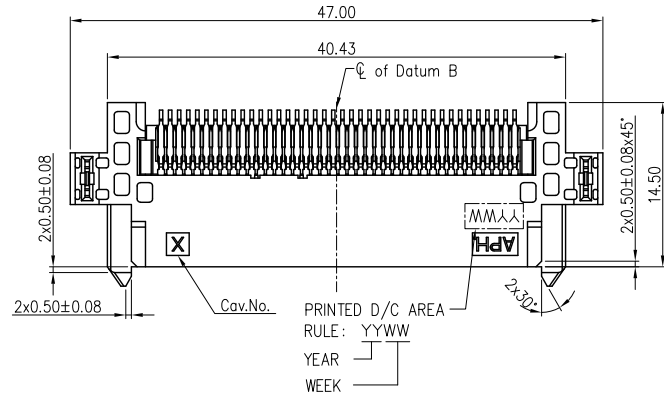


This document is the property of Amphenol Corporation and is delivered on the express condition that it is not to be disclosed, reproduced or used, in whole or in part, for manufacture or sale by anyone other than Amphenol Corporation without its prior consent, & that no right is granted to disclose or to use any information in this document.

CUSTOMER DRAWING

REVISIONS				
SYM	ECN	DESCRIPTION	DATE	APPROVED
1	N/A	FIRST RELEASE	12/27/18	IP
2	N/A	ADDED PACKING STYLE BY CUSTOMER'S REQUEST	10/11/19	IP



NOTES

- MATERIAL
 - HOUSING: HIGH TEMPERATURE THERMOPLASTIC, UL94V-0, COLOR:BLACK.
 - CONTACTS : PHOSPHOR BRONZE
PLATING: REFER TO P/N SYSTEM ON MATING AREA.
1.27um MIN NICKEL UNDER PLATED OVERALL.
2.54um MIN PURE MATTE TIN ON SOLDER TAILS.
 - SOLDER CLIPS: COPPER ALLOY
2.54um MIN PURE MATTE TIN OVER 1.27um MIN NICKEL.
- GENERAL SPECIFICATION
 - CURRENT RATING: 1.5A/PER PIN (POWER SECTION).
 - CONTACT RESISTANCE: 30mΩ MAX (INITIAL).
 - INSULATOR RESISTANCE: 1000MΩ MIN.
 - DIELECTRIC WITHSTANDING VOLTAGE: 500 VAC
 - OPERATION TEMPERATURE: -55°C~+105°C
- PREMATING AT P4 & P12
- SUPPORT PCIe GEN4 AND SAS3.0
- DIMENSIONING SHALL BE INTERPRETED PER ASME Y14.5M 1994.
- MATERIAL SHOULD BE FULFILLED AMPHENOL SPEC.# S-SN-002, FOR HALOGEN FREE PRODUCTS, ALSO NEED TO MEET S-SN-004.
- ORDER P/N SYSTEM: PSAS4F213004XXX

MATING AREA PLATING PACKING STYLE

1- 0.76um MIN Au. NIL- TRAY WITHOUT PICK-UP CAP
 2- 0.38um MIN Au. C- TRAY WITH PICK-UP CAP
 3- Gold FLASH TR- TAPE AND REEL WITH PICK-UP CAP
 NT- TAPE AND REEL WITHOUT PICK-UP CAP



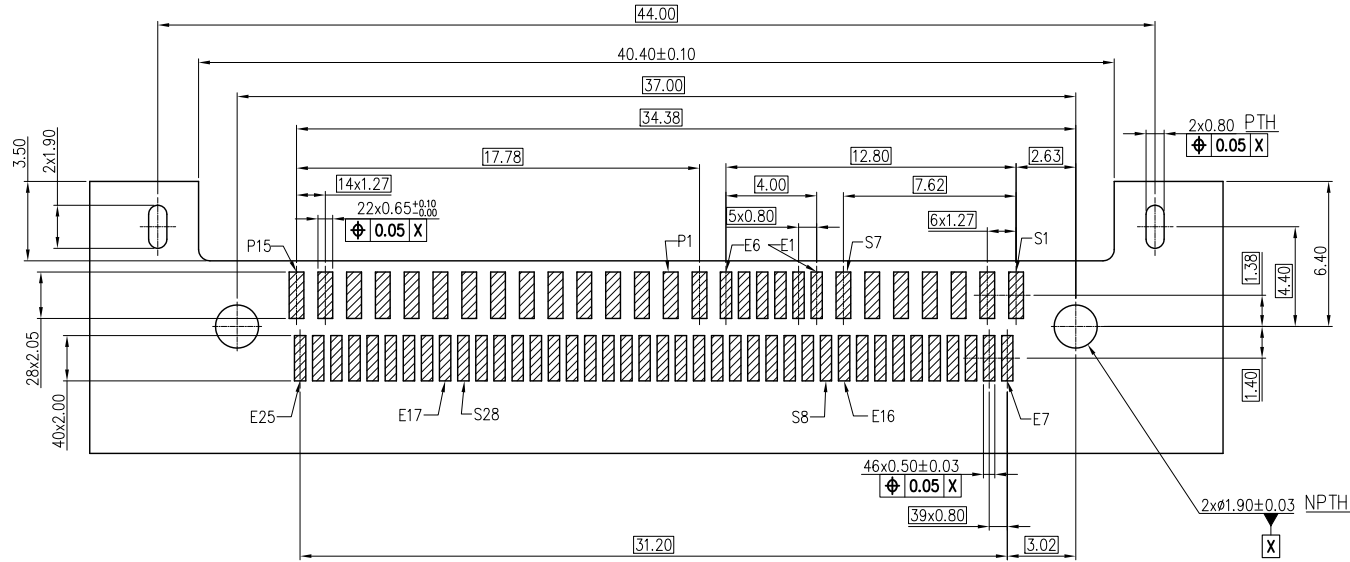
UNLESS OTHERWISE SPECIFIED TOLERANCES	APPROVAL	DATE	Amphenol
	DRAWN Jackle.Tan	10/11/19	
.X +/- 0.50 .XX +/- 0.25 .XXX +/- 0.20 FRACTIONS +/- 3' ANGLES +/-	CHECKED Xiang.Wang	10/11/19	TITLE
	CHECKED		PCIe/SAS R/A SMT RECEPTACLE H=0.93
FOR MATERIALS AND FINISHES SEE NOTES	DRAWING FILE : DRAWING\PSAS\PSAS4F213004XXX-2		SIZE DRAWING NO.
REMOVE SHARP EDGES	ANGLE OF PROJECTION		A3 PSAS4F213004XXX
DIMENSIONS			REV. 2
U.S. INCHES			SCALE NONE
(METRIC) (MM)			SHEET 1 OF 3

This document is the property of Amphenol Corporation and is delivered on the express condition that it is not to be disclosed, reproduced or used, in whole or in part, for manufacture or sale by anyone other than Amphenol Corporation without its prior consent, & that no right is granted to disclose or to use any information in this document.

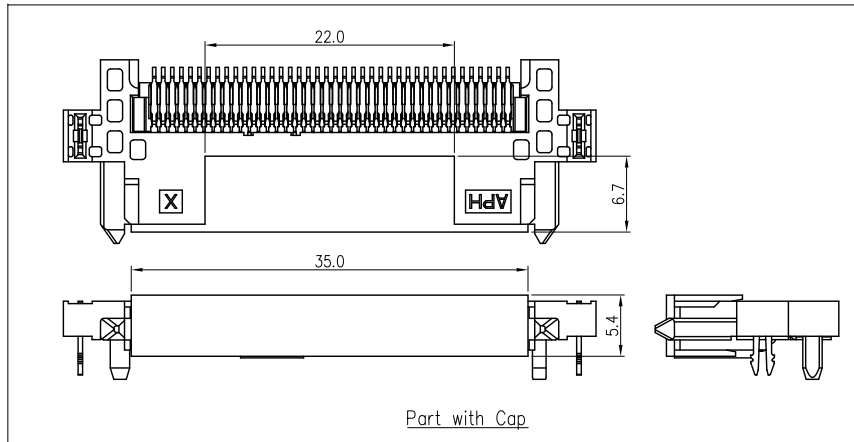
CUSTOMER DRAWING

REVISIONS

SYM	ECN	DESCRIPTION	DATE	APPROVED
REFER TO SHEET 1				



RECOMMENDED PCB LAYOUT(Top View)
GENERAL TOLERANCE ± 0.05 (PCB THICKNESS: 3.0mm)



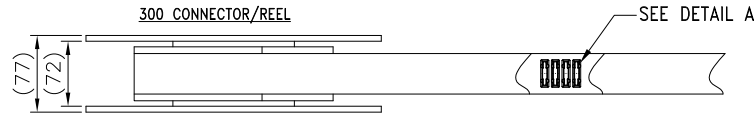
UNLESS OTHERWISE SPECIFIED TOLERANCES U.S. METRIC .X +/- 0.50 .XX +/- 0.25 .XXX +/- 0.20 FRACTIONS +/- 3' ANGLES +/- FOR MATERIALS AND FINISHES SEE NOTES REMOVE SHARP EDGES DIMENSIONS U.S. INCHES (METRIC) (MM)	APPROVAL DRAWN Jackle.Tan CHECKED Xiang.Wang CHECKED	DATE 10/11/19 10/11/19	Amphenol Amphenol East Asia Limited TITLE PCIe/SAS R/A SMT RECEPTACLE H=0.93 SIZE DRAWING NO. A3 PSAS4F213004XXX SCALE NONE SHEET 2 OF 3 REV. 2
	DRAWING FILE : DRAWING\PSAS\PSAS4F213004XXX-2		
	ANGLE OF PROJECTION 		
	DIMENSIONS U.S. INCHES (METRIC) (MM)		

This document is the property of Amphenol Corporation and is delivered on the express condition that it is not to be disclosed, reproduced or used, in whole or in part, for manufacture or sale by anyone other than Amphenol Corporation without its prior consent, & that no right is granted to disclose or to use any information in this document.

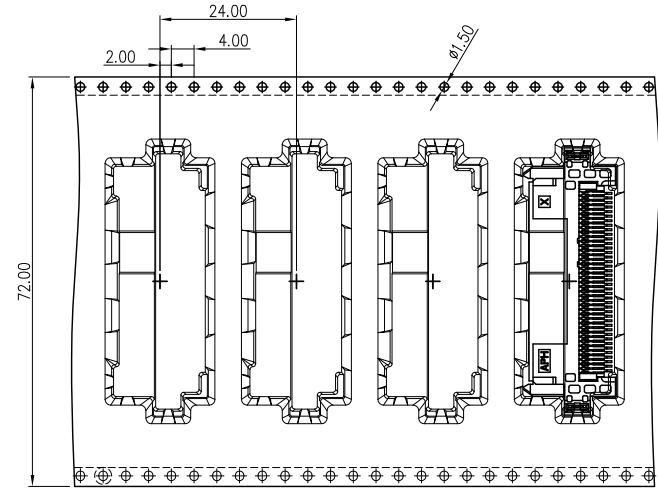
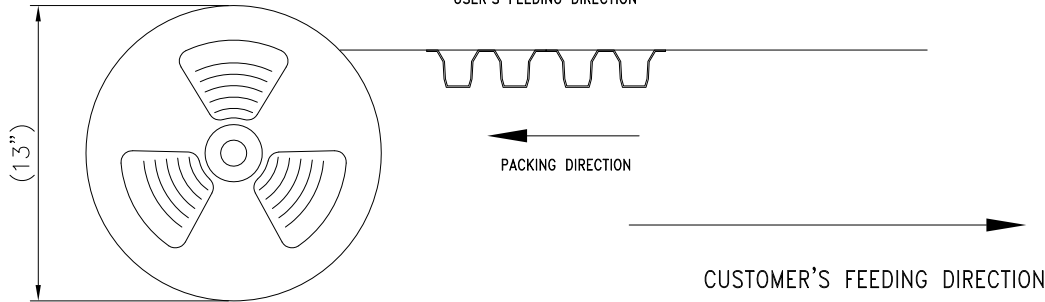
CUSTOMER DRAWING

REVISIONS				
SYM	ECN	DESCRIPTION	DATE	APPROVED
REFER TO SHEET 1				

D

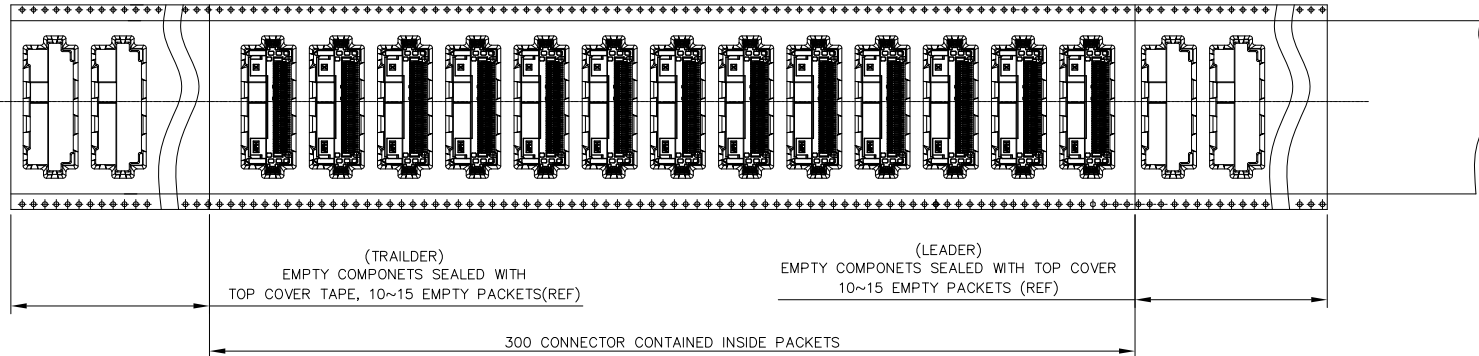


C



DETAIL A
SCALE 2:1

B



A



UNLESS OTHERWISE SPECIFIED TOLERANCES U.S. METRIC .X +/- 0.50 .XX +/- 0.25 .XXX +/- 0.20 FRACTIONS +/- 3" ANGLES +/- FOR MATERIALS AND FINISHES SEE NOTES	APPROVAL DRAWN Jackie.Tan 10/11/19 CHECKED Kiang.Wang 10/11/19 CHECKED	DATE 10/11/19 10/11/19	Amphenol Amphenol East Asia Limited TITLE PCIe/SAS R/A SMT RECEPTACLE H=0.93	
	DRAWING FILE : DRAWING\PSAS\PSAS4F213004XXX-2			
	REMOVE SHARP EDGES DIMENSIONS U.S. INCHES (METRIC) (MM)			ANGLE OF PROJECTION
	SIZE A3	DRAWING NO. PSAS4F213004XXX		REV. 2
SCALE NONE		SHEET 3 OF 3		

4

3

2

1