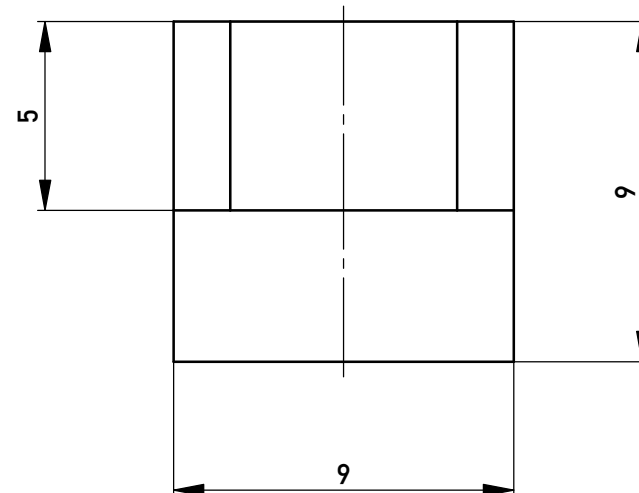
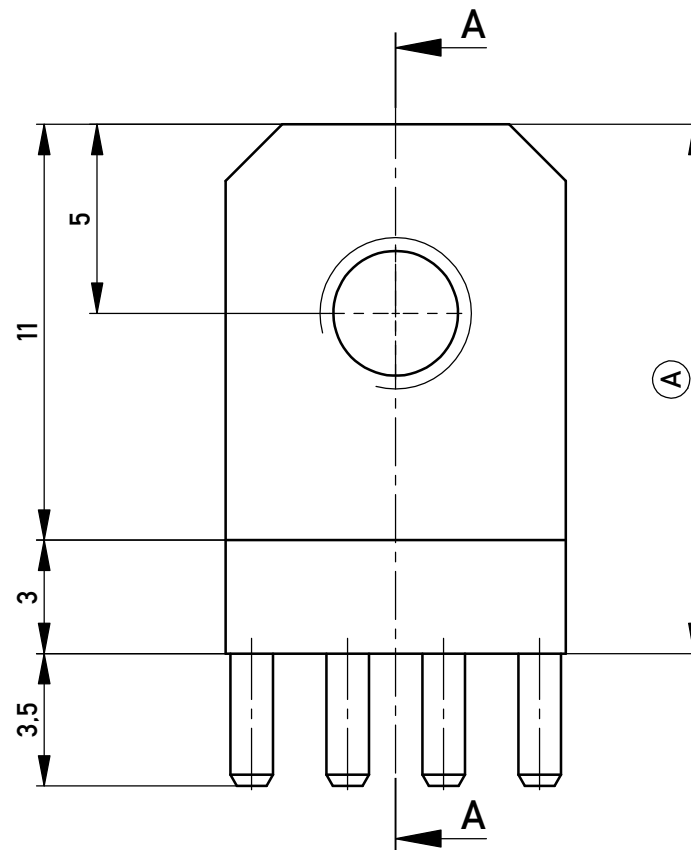
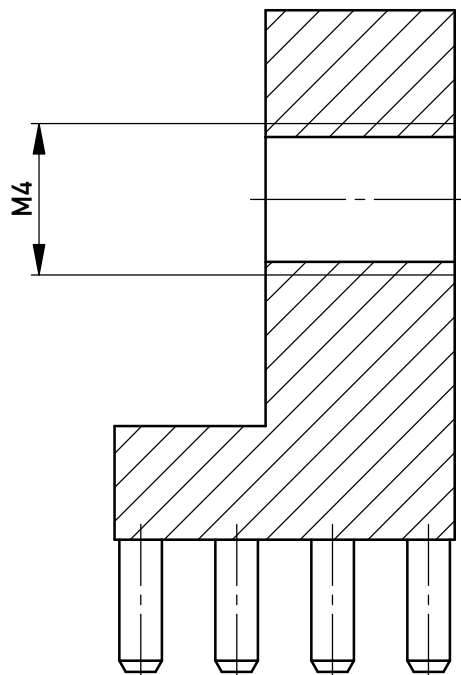
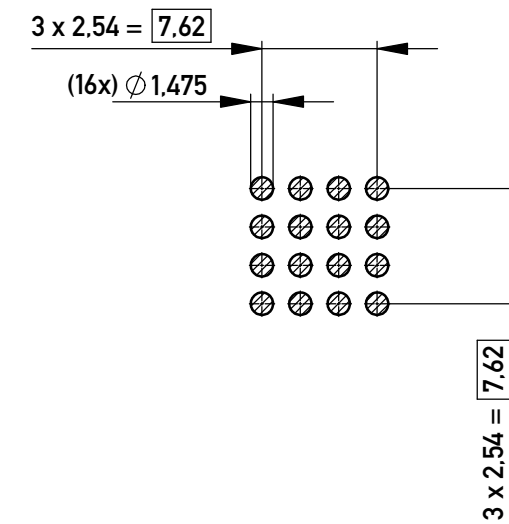


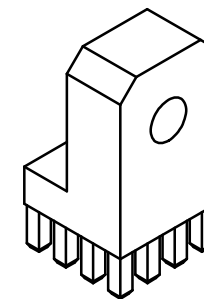
Schnitt A-A
cross section A-A



Layout - Vorschlag
PCB - Layout proposal
M 1:1
scale 1:1



M 2:1
scale 2:1



2-6 μ m Sn matt über 2-4 μ m Cu
2-6 μ m sn matt over 2-4 μ m cu

Ⓐ Oberfläche / plating

Information:		Tolerances		Scale	5:1
All rights reserved. Only for Information. To ensure that this is the latest version of this drawing, please contact one of the ERNI companies before using.		All Dimensions in mm		Material:	CuZn39Pb3
Subject to modification without prior notice. Drawing will not be updated.		Designation		PowerElement angled full population M4	
ERNI www.ERNI.com		225700		I	
b	14.02.2018	Date		A3	
Index		Date		Class POWELM	

Copyright by ERNI Production GmbH & Co. KG
Proprietary notice pursuant to ISO 16016 to be observed.