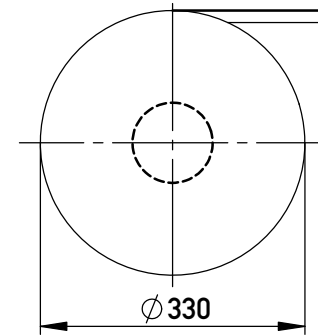


Verpackt in Gurtverpackung
Tape on Reel Packaging
 Verpackungseinheit: 280 Stück
Packaging unit: 280 pcs

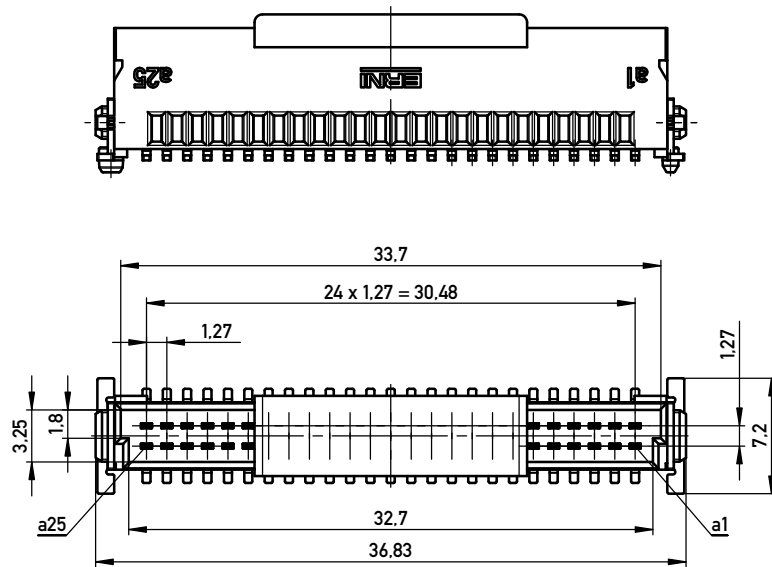


Anforderungsstufe 1
Performance Level 1

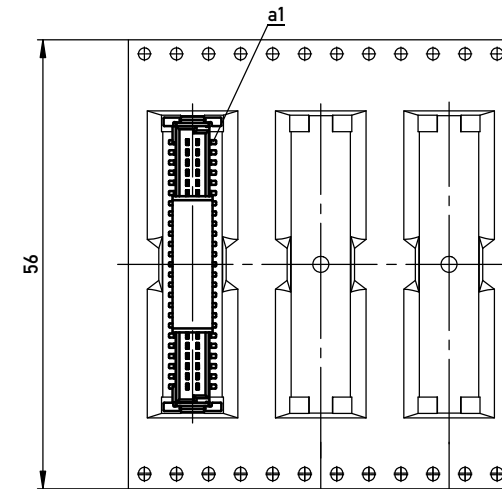
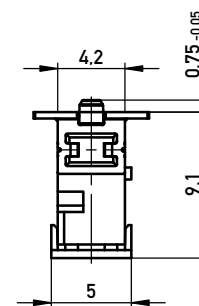
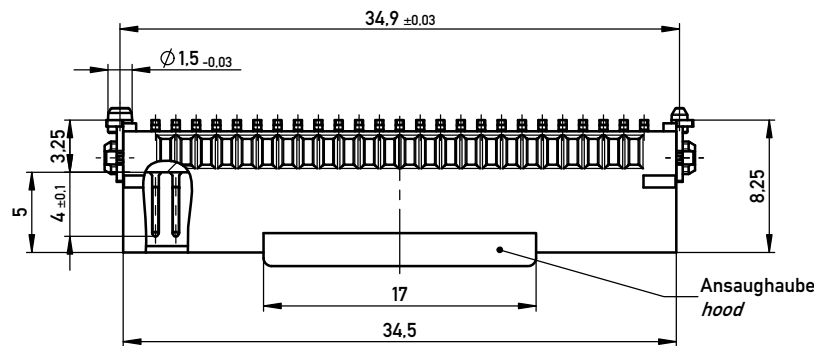
Kontaktbereich vergoldet
Mating Area gold plating

Anschlussbereich verzinkt 4-6 µm
Terminal Area 4-6 µm tin plating

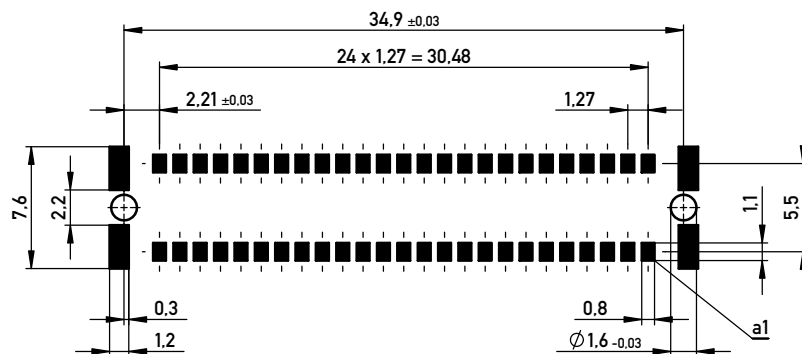
Koplanarität der Anschlüsse ≤ 0,1 mm
Coplanarity Area of Termination ≤ 0,1 mm



Abspulrichtung - *Reel off Direction* →



Leiterplatten-Layout Vorschlag für SMT
PCB-Layout Proposal for SMT



BA 8-03 - Standard Bauhöhe

type 8-03 - Standard Assembly Height

Information:		Tolerances	Scale 3:1
All rights reserved. Only for Information. To ensure that this is the latest version of this drawing, please contact one of the ERNI companies before using.		 All Dimensions in mm	Designation
			Messrl. SMC-Q-50-SMD-BA8-03 <i>Male SMC-Q 50-SMD-type8-03</i>
www.ERNI.com		244856	
d	08.07.2013	Class SMCQ	
Index	Date	I A3	

Copyright by ERNI GmbH
 Proprietary notice pursuant to ISO 9006 to be observed.