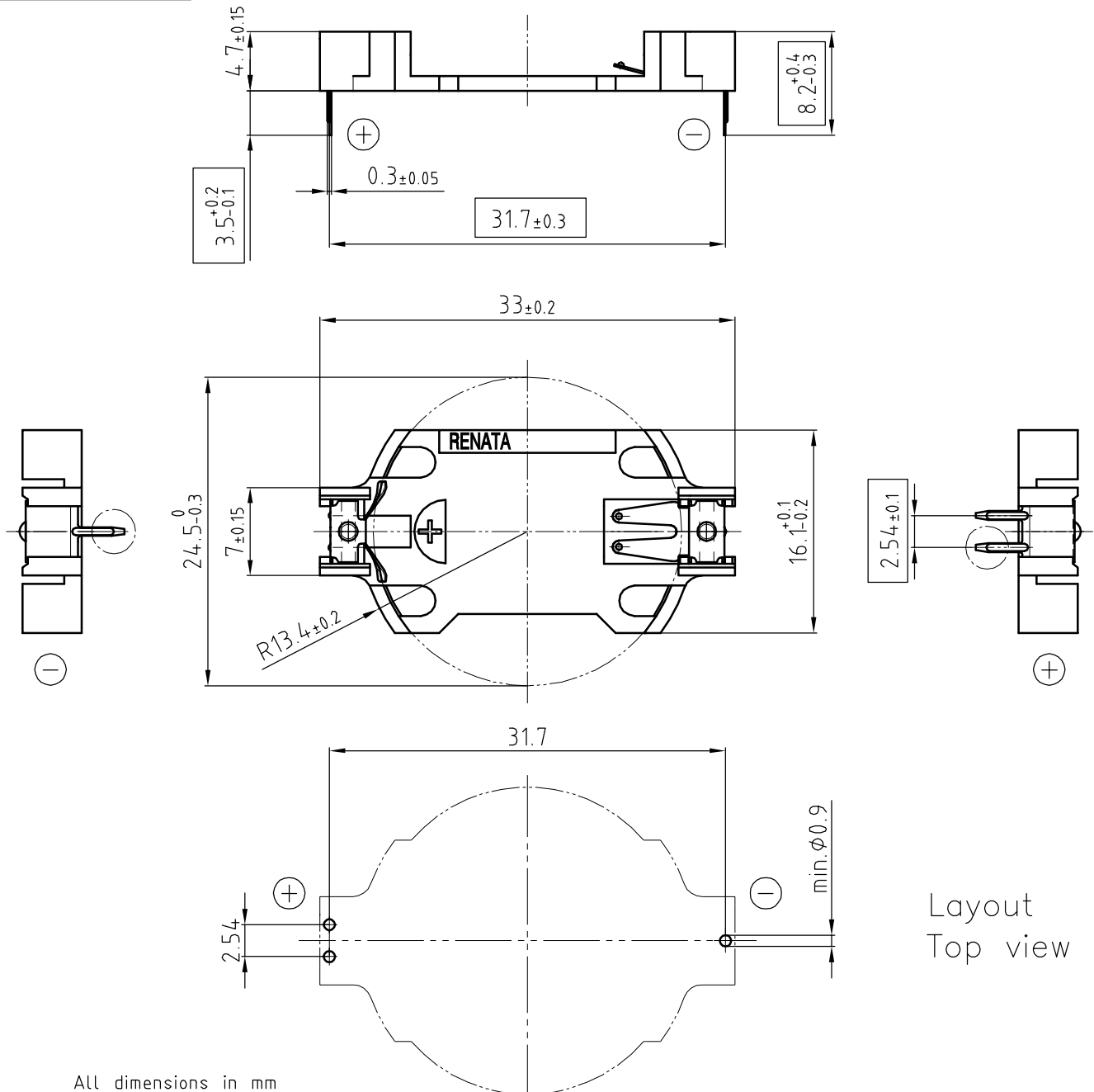


Art.-Number: 701107

Samples can deviate in the execution from the serie.



Layout  
Top view

All dimensions in mm

Holder material : heat resistant, glass-fiber reinforced LCP

Battery contacts : spring stainless steel 301 nickel plated throughout

Solder contacts : spring stainless steel 301 solder area tin-plated throughout, min. thickness 5um

All framed values will be used for dimension checking !

The Products of Renata SA are neither designed nor authorized for use in certain areas of application of environment.

For further details we refer to our webpage [www.renata.com/downloads/restriction\\_of\\_use](http://www.renata.com/downloads/restriction_of_use)

- Dimensions and tolerances can be specified only after the testing of the devices for the mass production definitely

Rev.	①	10.09.07	MCi	Rev.	○		Customer's Approval		
Rev.	②	18.09.10	Wu Ping	Rev.	○		Date		
Rev.	③	27.08.19	PWu	Rev.	○		Signature		
Title:						Scale 2:1	Drawn	21.01.05	SRi
HU2430-LF							Checked		
							Approved		
				CH-4452 Itingen Switzerland			3.8752.4-3		