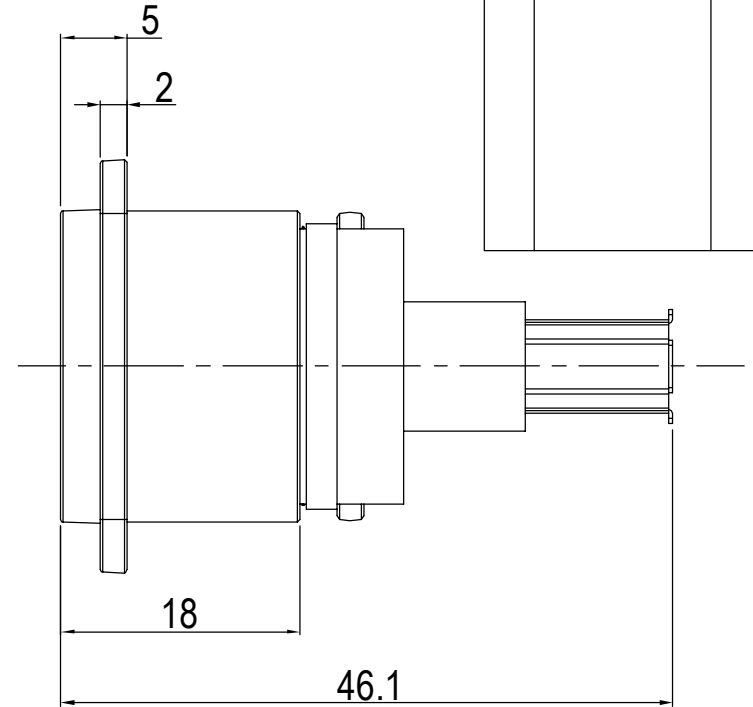
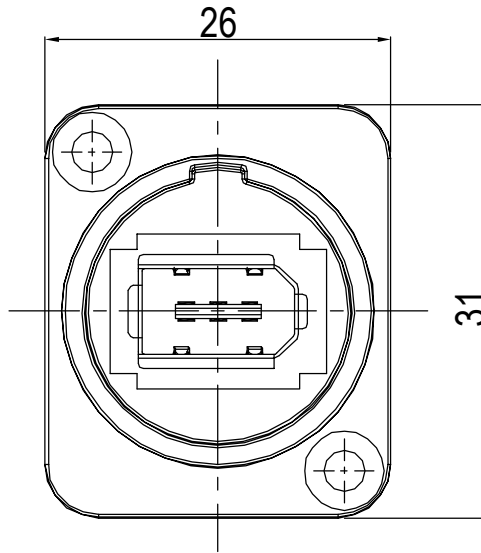
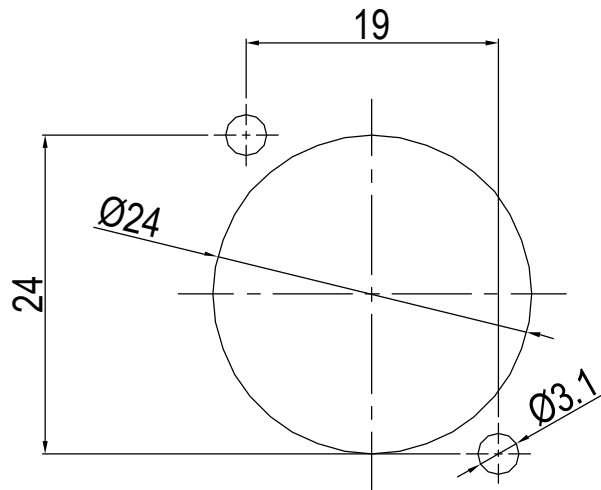


ISS.	AMEND	DATE
1	ISSUED	17/10/17

Panel cut out (front view)



Specification / Technical Data:

Contact Resistance: 30mΩ MAX

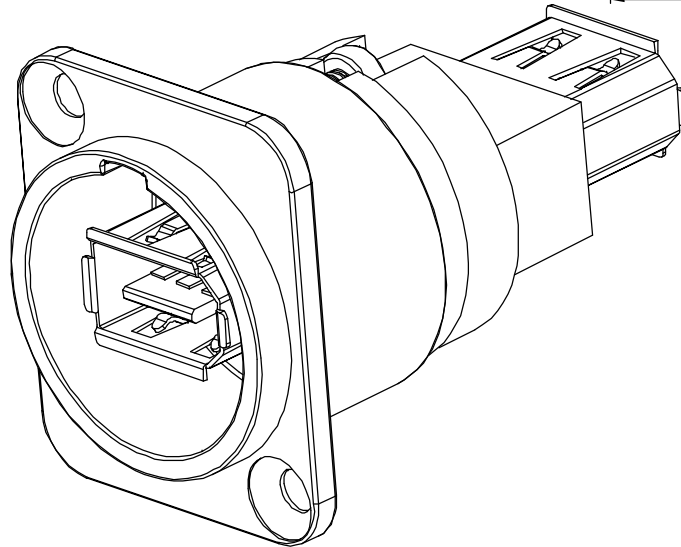
Insulation Resistance : 500MΩ min

Dielectric withstanding voltage: 500V AC one minute

Rated Current: 0.5A

Rated Voltage: 40V

Temperature Range: -10°C to 50°C



ITEM	DESCRIPTION	MATERIAL	FINISH
1	FRAME	ZINC DIECAST	NICKEL
2	INSERT	ABS	BLACK
3	SCREW	STEEL	NICKEL
4	FIREWIRE	ALLOY	NICKEL

**RoHS**  
COMPLIANT

TOLERANCE  
 NO DEC. PLACE ±  
 1 DEC. PLACE ±  
 2 DEC. PLACE ±  
 HOLE Ø ±  
 ANGLES ±  
 UNLESS  
 OTHERWISE STATED

DO NOT SCALE

**Cliff Electronic Components Ltd.**

76 Holmethorpe Avenue, Holmethorpe Industrial Estate,  
 Redhill, Surrey, RH1 2PF, England, UK  
 Tel: 01737-771375 Fax: 01737-766012 Website: www.cliffuk.co.uk

DIMENSIONS IN MILLIMETERS UNLESS OTHERWISE STATED. WORK TO DIMENSIONS. REMOVE ALL BURRS. IF IN DOUBT ASK.

3rd ANGLE PROJECTION:

MATERIAL: SEE TABLE

FINISH: SEE TABLE

TITLE: XLR FIREWIRE FT - METAL

THE CONTENTS OF THIS DOCUMENT MUST NOT BE COPIED OR DISCLOSED  
 TO A 3rd PARTY WITHOUT WRITTEN PERMISSION OF CLIFF UK. © 2017

DRAWN: T.J.O.

APPROVED: D.P.J.

DRWG. No. **CP30117**

FORM: A4DRWGH