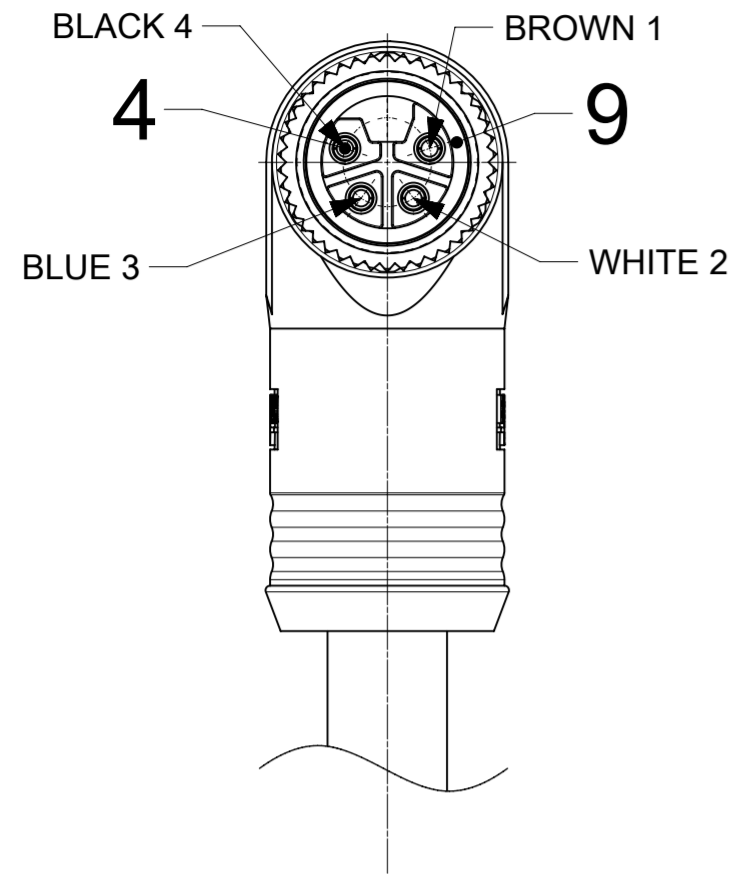
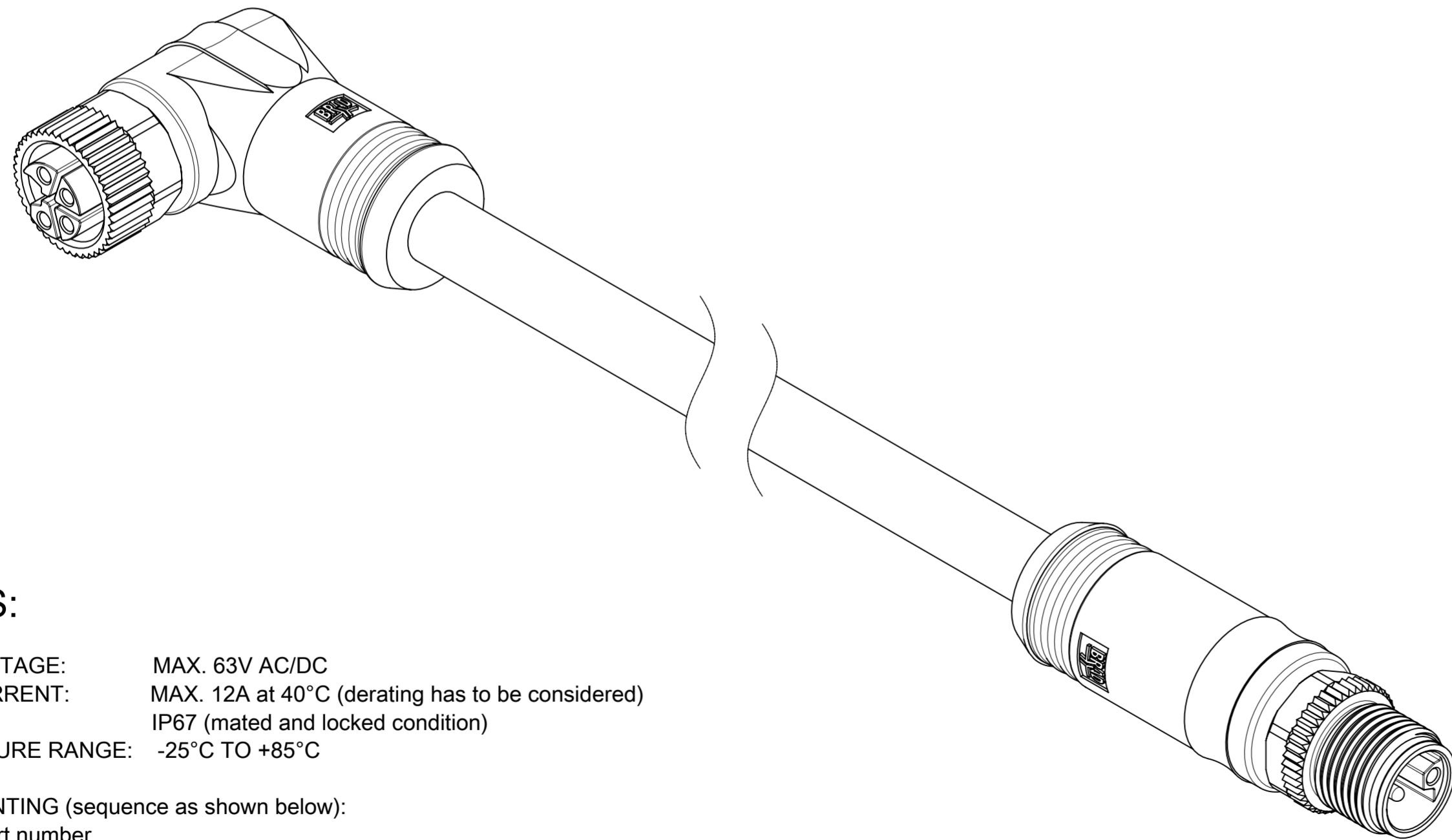
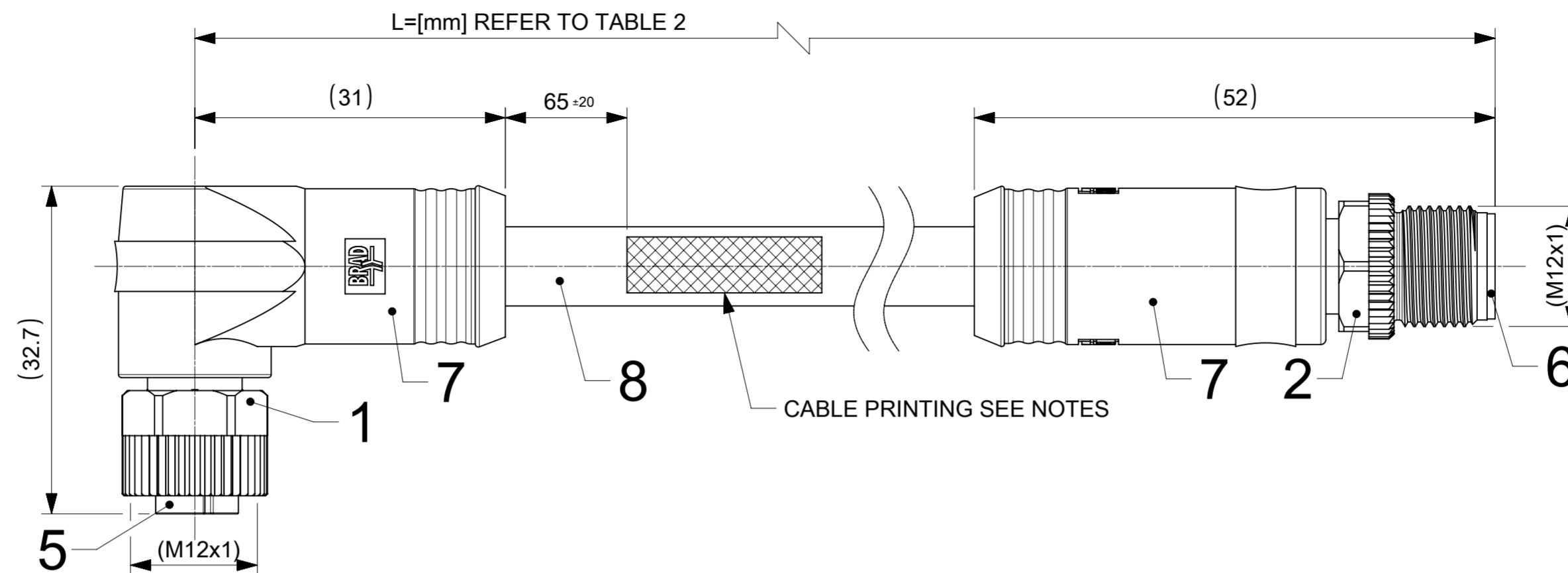
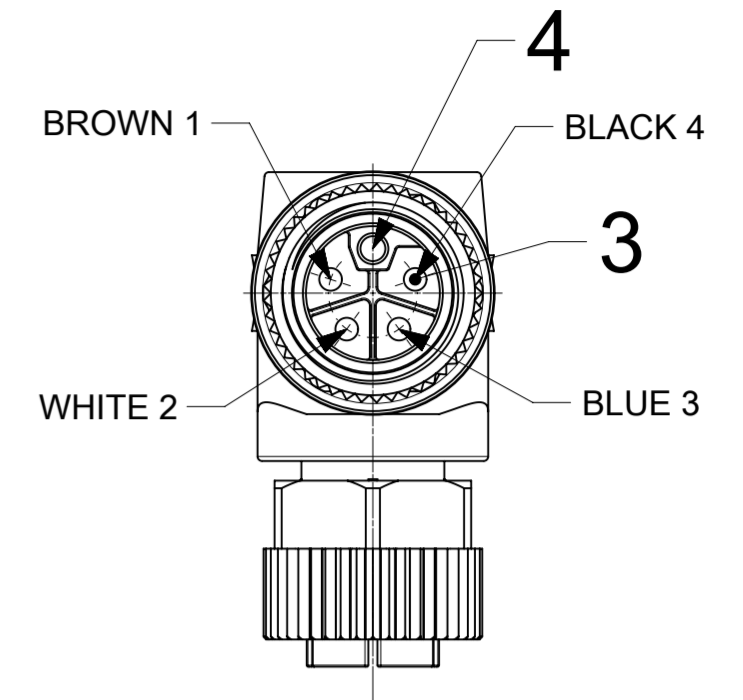


MATING SIDE  
FEMALE CONNECTOR



MATING SIDE  
MALE CONNECTOR



NOTES:

RATED VOLTAGE: MAX. 63V AC/DC  
 RATED CURRENT: MAX. 12A at 40°C (derating has to be considered)  
 IP RATING: IP67 (mated and locked condition)  
 TEMPERATURE RANGE: -25°C TO +85°C

CABLE PRINTING (sequence as shown below):

- MOLEX part number
- "Made in " COUNTRY OF ORIGIN
- MOLEX AND DATE OF MANUFACTURING (YY=YEAR; WW=WEEK): MXYYYWW
- Not for current interrupting

PART ACCORDING PRODUCT SPEC: 1205010169  
 PACKAGING ACCORDING PACKAGING SPEC: 1201202000

TABLE 1

POS	DESCRIPTION	MATERIAL	FINISH
1	NUT M12 FE	BRASS	Ni
2	NUT M12 MA	BRASS	Ni
3	CONTACT 15 MA	BRASS	Au
4	CONTACT 15 FE	BRASS	Au
5	INSERT FEMALE	PA	BLACK
6	INSERT MALE	PA	BLACK
7	OVERMOLD	TPE	BLACK
8	CABLE 4x1.5 D7.9 WSOR	PUR	BLACK
9	GASKET OR 8.2X1.25	FKM	BLACK
OPTIONAL 10	ID CARRIER	-	-

FUNCTIONAL SYMBOLS FA=0 FC=0 FP=0	THIS DRAWING CONTAINS INFORMATION THAT IS PROPRIETARY TO MOLEX ELECTRONIC TECHNOLOGIES, LLC AND SHOULD NOT BE USED WITHOUT WRITTEN PERMISSION		CURRENT REV DESC: UPDATED ATTRIBUTE TO GENERAL MARKET IN ECTR			
	DIMENSION UNITS	SCALE	<p><b>molex</b></p> <p>CSE M12 4P LC FE RA MA STR WSOR BK XM</p> <p>PRODUCT CUSTOMER DRAWING</p>			
	mm	2:1				
	GENERAL TOLERANCES (UNLESS SPECIFIED)					
ANGULAR TOL ± 1.0°						
DIVISIONAL SYMBOLS	4 PLACES ±	EC NO: 735577	2023/01/11	<p>DOCUMENT NUMBER</p> <p>1205010240</p> <p>MATERIAL NUMBER</p> <p>SEE TABLE 2</p>		
	3 PLACES ±	DRWN: MARUTD	2023/01/19			
	2 PLACES ± 0.05	CHK'D: RSILLER	2022/12/05			
	1 PLACE ± 0.3	APPR: RSILLER				
0 PLACES ± 0.5	INITIAL REVISION:	DRWN: FDAFERNER	2020/08/20	DOC TYPE	DOC PART	REVISION
DRAFT WHERE APPLICABLE MUST REMAIN WITHIN DIMENSIONS		THIRD ANGLE PROJECTION	DRAWING	SERIES	CUSTOMER	SHEET NUMBER
			A2-SIZE	120501	GENERAL MARKET	1 OF 2

# ENGINEERING NO - NUMERICAL CODE (Available parts see PART LIST table. Other parts available upon request).

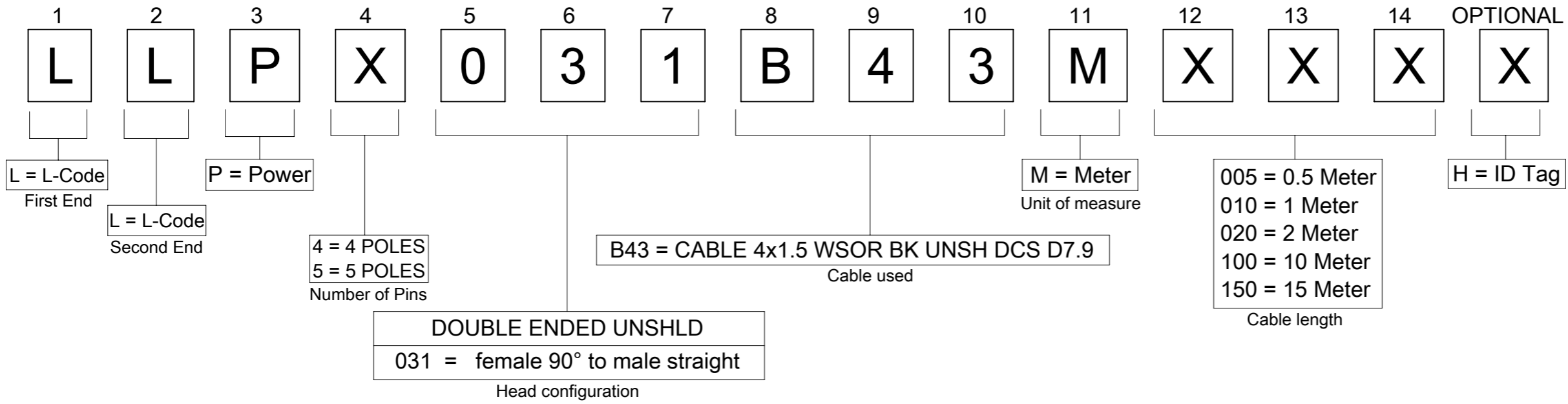


TABLE 2

NOMINAL SECTION 1,5mm <sup>2</sup>			
MATERIAL NO.	ENGINEERING NO.	L [mm]	TOLERANCE [mm]
1205010240	LLP4031B43M005	500	+40
1205010241	LLP4031B43M010	1000	+40
1205010242	LLP4031B43M020	2000	+60
1205010243	LLP4031B43M030	3000	+60
1205010244	LLP4031B43M050	5000	+60
1205010245	LLP4031B43M100	10000	+80
1205010246	LLP4031B43M150	15000	+140
1205010247	LLP4031B43M200	20000	+140
DOCUMENT STATUS	P1	RELEASE DATE	2023/01/19 11:13:52

FUNCTIONAL SYMBOLS	THIS DRAWING CONTAINS INFORMATION THAT IS PROPRIETARY TO MOLEX ELECTRONIC TECHNOLOGIES, LLC AND SHOULD NOT BE USED WITHOUT WRITTEN PERMISSION		
	$\nabla_A = 0$ $\nabla_B = 0$ $\nabla_C = 0$	DIMENSION UNITS <b>mm</b>	SCALE <b>1:1</b>
DIVISIONAL SYMBOLS	GENERAL TOLERANCES (UNLESS SPECIFIED)		EC NO: 735577 DRWN: MARUTD CHK'D: RSILLER APPR: RSILLER 2023/01/11 2023/01/19 2023/01/19
	ANGULAR TOL $\pm 1.0^\circ$		
	4 PLACES	$\pm$	
	3 PLACES	$\pm$	
DRAFT WHERE APPLICABLE MUST REMAIN WITHIN DIMENSIONS		THIRD ANGLE PROJECTION 	DRAWING <b>A3-SIZE</b>
SERIES		MATERIAL NUMBER <b>120501</b>	CUSTOMER GENERAL MARKET
DOCUMENT NUMBER		DOC TYPE <b>PSD</b>	DOC PART <b>000</b>
REVISION		SHEET NUMBER <b>2 OF 2</b>	REVISION <b>A1</b>



CSE M12 4P LC FE RA MA STR WSOR BK XM

PRODUCT CUSTOMER DRAWING

1205010240