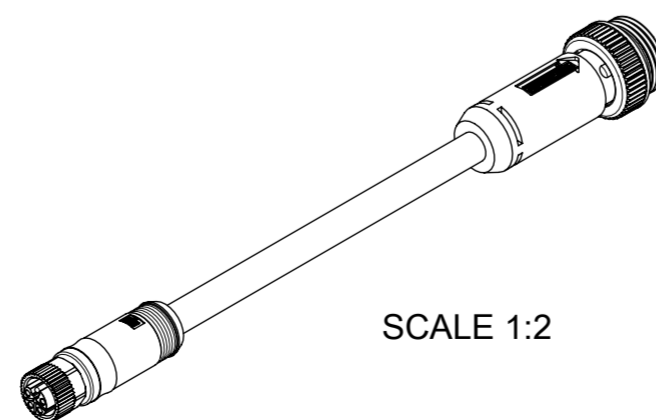


ITEM	QTY	DESCRIPTION	MATERIAL	FINISH
1	1	NUT M12 FE HEX	BRASS	Ni
2	1	INSERT M12 FE 5P LC	PA	GREY
3	1	GASKET OR 8.2x1.25	FKM	BLACK
4	4	CONTACT 15 FE	BRASS	Au
5	-	OVERMOLD	TPE	BLACK
6	1	CABLE 5XAWG16 WSOR STYLE 21215 D8.60 UNSH	PUR	GREY
7	1	CONTACT 15 MA	BRASS	Au
8	-	BONDING AGENT	EPOXY RESIN	-
9	1	COUPLING NUT A-SIZE EXT MALE	ZINC	BLACK
10	5	PIN CONTACT 16 AWG	COPPER ALLOY	Au
11	1	MC 5P MALE INSERT	TPC	BLACK
OPTIONAL 12	-	I/D CARRIER 10-14x23 205/23		

NOTES:

- RATED VOLTAGE: 63 V AC/DC
- RATED CURRENT: Max. 10 A at 40°C
- IP RATING: IP67 (mated and locked condition)
- TEMPERATURE RANGE: -25°C TO +85°C
- PENDING: UL Listed to UL2238 E152210
- CABLE PRINTING: (sequence as shown below):
 - MOLEX engineering no. (e.g. L1P5030B65M020)
 - MOLEX material no. (e.g. 1205050100)
 - MOLEX MAX. 63 V AC/DC MAX. 10 A
 - MOLEX AND DATE OF MANUFACTURING (YY=YEAR; WW=WEEK): MXYWW
 - Not for current interrupting



FUNCTIONAL SYMBOLS $\nabla_A = 0$ $\nabla_C = 1$ $\nabla_P = 0$ DIVISIONAL SYMBOLS	THIS DRAWING CONTAINS INFORMATION THAT IS PROPRIETARY TO MOLEX ELECTRONIC TECHNOLOGIES, LLC AND SHOULD NOT BE USED WITHOUT WRITTEN PERMISSION		CURRENT REV DESC: UPDATED ATTRIBUTE TO GENERAL MARKET IN ECTR					
	DIMENSION UNITS	SCALE	EC NO: 735577					
	mm	2:1	DRWN: MARUTD	2023/01/12	2023/01/19			
	GENERAL TOLERANCES (UNLESS SPECIFIED)		CHK'D: RSILLER	2023/01/19	2023/01/19			
ANGULAR TOL ± 1.0°		APPR: RSILLER	INITIAL REVISION:		DOCUMENT NUMBER	DOC TYPE	DOC PART	REVISION
4 PLACES ±		DRWN: RSCHEIBER		2022/04/22	1205050100	PSD	000	A1
3 PLACES ±		APPR: RSILLER		2022/12/05				
2 PLACES ± 0.05		DRAFT WHERE APPLICABLE MUST REMAIN WITHIN DIMENSIONS			SEE TABLE 1	GENERAL MARKET		1 OF 2
1 PLACE ± 0.3		THIRD ANGLE PROJECTION	DRAWING	SERIES	MATERIAL NUMBER	CUSTOMER	SHEET NUMBER	
0 PLACES ± 0.5			A2-SIZE	120505				

molex

CSE LC 5P FE STR MC 5P MA STR XM

PRODUCT CUSTOMER DRAWING

ENGINEERING NO - NUMERICAL CODE (Available parts see PART LIST table. Other parts available upon request).

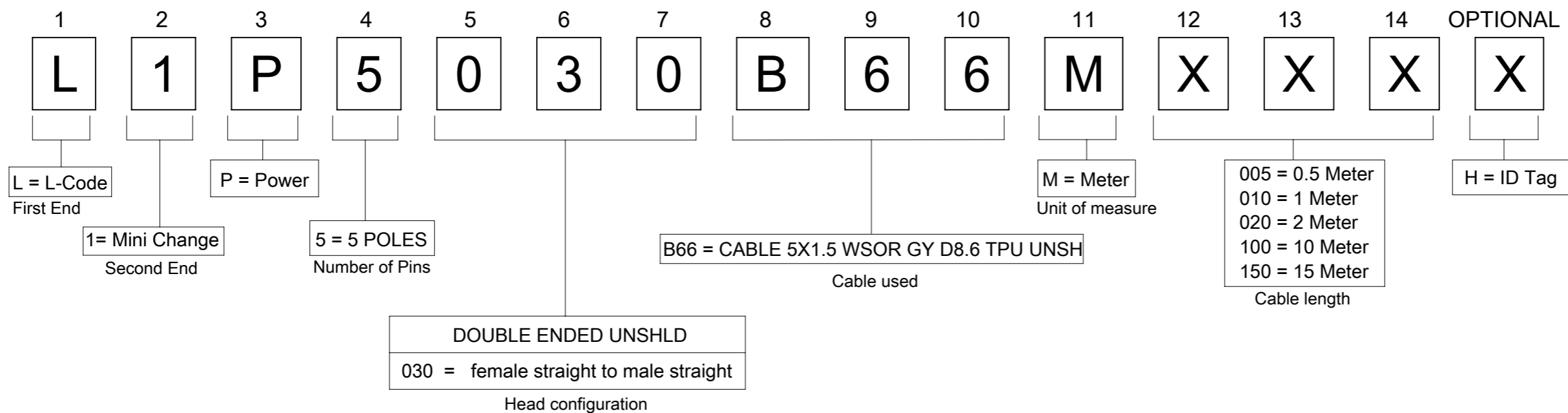


TABLE 1
NOMINAL SECTION 1,5mm²

MATERIAL NO.	ENGINEERING NO.	L [mm]	TOLERANCE [mm]
1205050100	L1P5030B66M020	2000	+60
1205050101	L1P5030B66M050	5000	+60
1205050102	L1P5030B66M100	10000	+80
1205050103	L1P5030B66M150	15000	+140
1205050104	L1P5030B66M200	20000	+140

DOCUMENT STATUS	P1	RELEASE DATE	2023/01/19	11:13:55
-----------------	----	--------------	------------	----------

FUNCTIONAL SYMBOLS	THIS DRAWING CONTAINS INFORMATION THAT IS PROPRIETARY TO MOLEX ELECTRONIC TECHNOLOGIES, LLC AND SHOULD NOT BE USED WITHOUT WRITTEN PERMISSION	CURRENT REV DESC: UPDATED ATTRIBUTE TO GENERAL MARKET IN ECTR		molex																					
	<table border="1"> <tr> <th>FUNCTIONAL SYMBOLS</th> <th>DIMENSION UNITS</th> <th>SCALE</th> </tr> <tr> <td>$\nabla_A = 0$</td> <td>mm</td> <td>1:1</td> </tr> <tr> <td>$\nabla_E = 0$</td> <td colspan="2">GENERAL TOLERANCES (UNLESS SPECIFIED)</td> </tr> <tr> <td>$\nabla_V = 0$</td> <td colspan="2">ANGULAR TOL $\pm 1.0^\circ$</td> </tr> <tr> <td rowspan="5">DIVISIONAL SYMBOLS</td> <td>4 PLACES</td> <td>\pm</td> </tr> <tr> <td>3 PLACES</td> <td>\pm</td> </tr> <tr> <td>2 PLACES</td> <td>± 0.05</td> </tr> <tr> <td>1 PLACE</td> <td>± 0.3</td> </tr> <tr> <td>0 PLACES</td> <td>± 0.5</td> </tr> </table>	FUNCTIONAL SYMBOLS	DIMENSION UNITS				SCALE	$\nabla_A = 0$	mm	1:1	$\nabla_E = 0$	GENERAL TOLERANCES (UNLESS SPECIFIED)		$\nabla_V = 0$	ANGULAR TOL $\pm 1.0^\circ$		DIVISIONAL SYMBOLS	4 PLACES	\pm	3 PLACES	\pm	2 PLACES	± 0.05	1 PLACE	± 0.3
FUNCTIONAL SYMBOLS	DIMENSION UNITS	SCALE																							
$\nabla_A = 0$	mm	1:1																							
$\nabla_E = 0$	GENERAL TOLERANCES (UNLESS SPECIFIED)																								
$\nabla_V = 0$	ANGULAR TOL $\pm 1.0^\circ$																								
DIVISIONAL SYMBOLS	4 PLACES	\pm																							
	3 PLACES	\pm																							
	2 PLACES	± 0.05																							
	1 PLACE	± 0.3																							
	0 PLACES	± 0.5																							
INITIAL REVISION: DRWN: RSCHEIBER 2022/04/22 APPR: RSILLER 2022/12/05		DOCUMENT NUMBER 1205050100		DOC TYPE	DOC PART	REVISION																			
DRAFT WHERE APPLICABLE MUST REMAIN WITHIN DIMENSIONS		THIRD ANGLE PROJECTION 	DRAWING	SERIES	MATERIAL NUMBER	CUSTOMER	SHEET NUMBER																		
			A3-SIZE	120505	SEE TABLE 1	GENERAL MARKET	2 OF 2																		