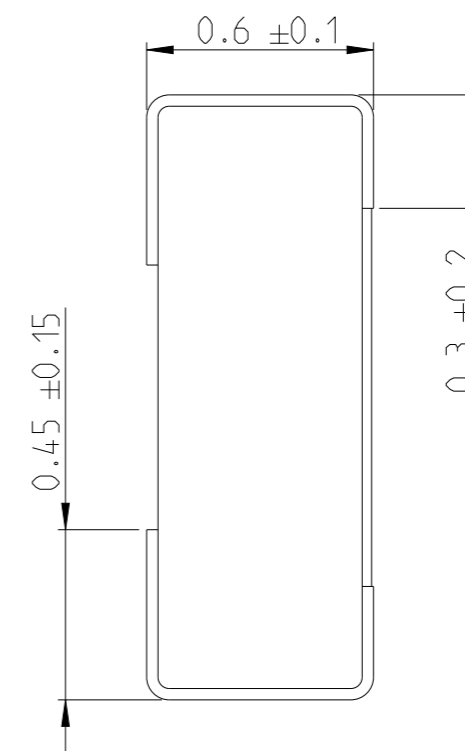
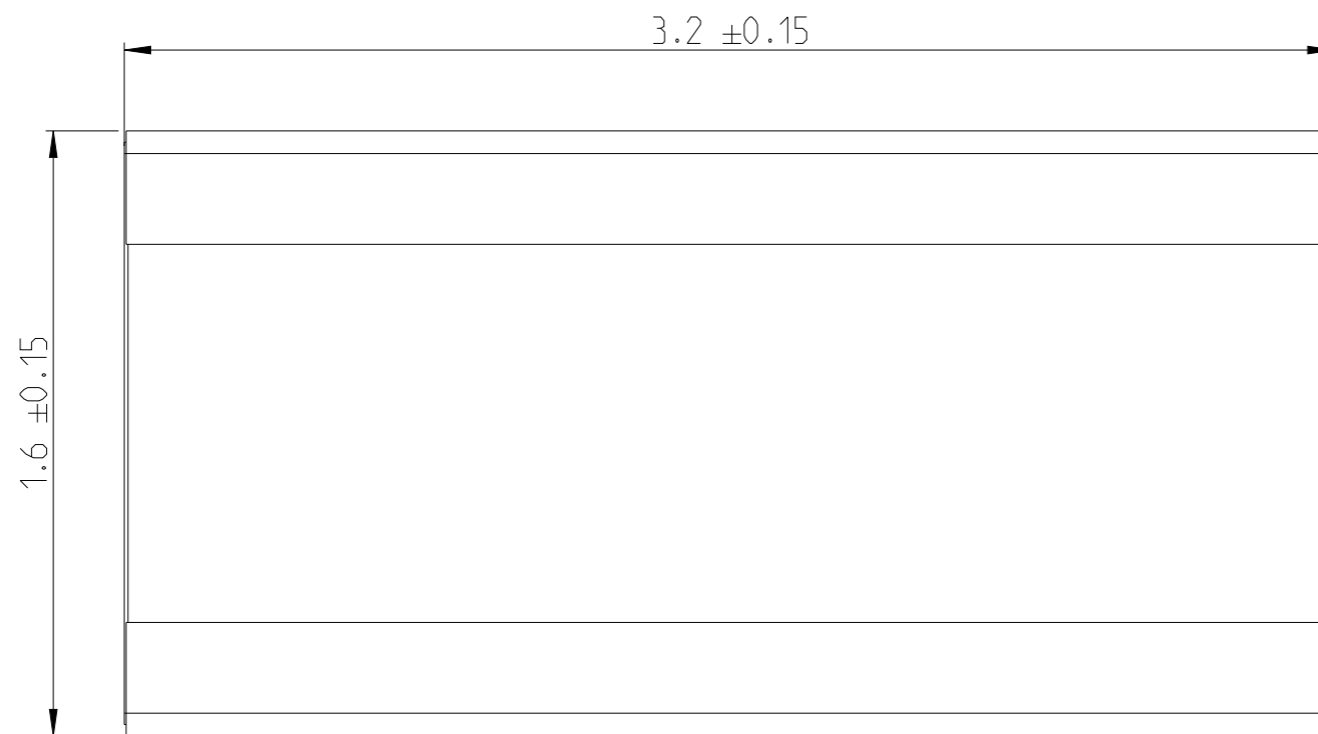


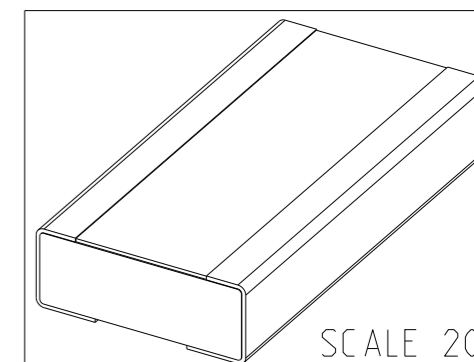
REVISIONS

P	LTR	DESCRIPTION	DATE	DWN	APVD
	BA	INITIAL DRAWING RELEASE	21OCT2022	LG	AP

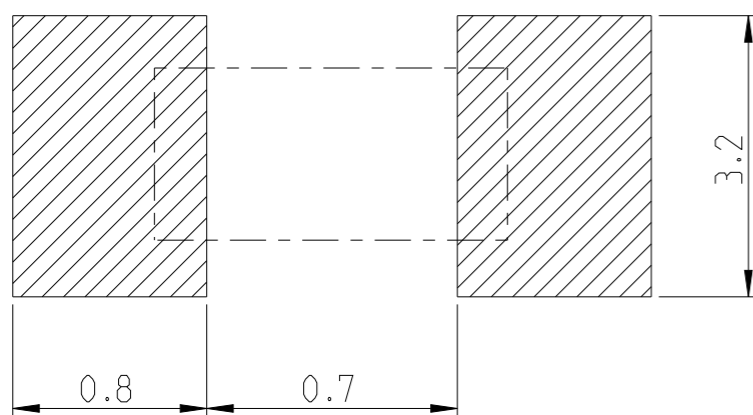
FOR FURTHER INFORMATION SEE DATA SHEET FOR RLW73 SERIES WIDE TERMINAL CURRENT SENSING RESISTOR





RoHS Compliant



RECOMMENDED LAND PATTERN




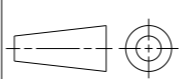
THIS DRAWING IS A CONTROLLED DOCUMENT.		DWN	LALITH G	21OCT2022	 TE Connectivity
DIMENSIONS: mm		CHK	ALLAN P	21OCT2022	
TOLERANCES UNLESS OTHERWISE SPECIFIED:		APVD	ALLAN P	21OCT2022	
		PRODUCT SPEC	NAME		WIDE TERMINAL CURRENT SENSING RESISTOR TYPE RLW73 SERIES
0 PLC ±0.2 1 PLC ±0.1 2 PLC ± 3 PLC ± 4 PLC ± ANGLES ±		APPLICATION SPEC	SIZE		A3
MATERIAL		WEIGHT	CAGE CODE		00779
			DRAWING NO		©=2176542-CD
		CUSTOMER DRAWING		RESTRICTED TO	-
		SCALE		SHEET	1 OF 2
		50:1		REV	BA

REVISIONS

P	LTR	DESCRIPTION	DATE	DWN	APVD
	-	SEE SHEET 1	-	-	-

SCHEDULE

TCPN	CATALOGUE NUMBER	PART DESCRIPTION	PART STATUS
2176542-1	RLW 73PB2FR010TDF	RLW 73P B2 1% R010 600ppm 1k RL	PRODUCTION
2176542-2	RLW 73PB2FR012TDF	RLW 73P B2 1% R012 600ppm 1k RL	PRODUCTION
2176542-3	RLW 73PB2FR015TDF	RLW 73P B2 1% R015 600ppm 1k RL	PRODUCTION
2176542-4	RLW 73PB2FR018TDF	RLW 73P B2 1% R018 600ppm 1k RL	PRODUCTION
2176542-5	RLW 73PB2FR022TDF	RLW 73P B2 1% R022 600ppm 1k RL	PRODUCTION
2176542-6	RLW 73PB2FR027TDF	RLW 73P B2 1% R027 600ppm 1k RL	PRODUCTION
2176542-7	RLW 73PB2FR033TDF	RLW 73P B2 1% R033 200ppm 1k RL	PRODUCTION
2176542-8	RLW 73PB2FR039TDF	RLW 73P B2 1% R039 200ppm 1k RL	PRODUCTION
2176542-9	RLW 73PB2FR047TDF	RLW 73P B2 1% R047 200ppm 1k RL	PRODUCTION
1-2176542-0	RLW 73PB2FR056TDF	RLW 73P B2 1% R056 200ppm 1k RL	PRODUCTION
1-2176542-1	RLW 73PB2FR068TDF	RLW 73P B2 1% R068 200ppm 1k RL	PRODUCTION
1-2176542-2	RLW 73PB2FR082TDF	RLW 73P B2 1% R082 200ppm 1k RL	PRODUCTION
1-2176542-3	RLW 73PB2FR10TDF	RLW 73P B2 1% R10 200ppm 1k RL	PRODUCTION
1-2176542-4	RLW 73PB2FR12TDF	RLW 73P B2 1% R12 200ppm 1k RL	PRODUCTION
1-2176542-5	RLW 73PB2FR15TDF	RLW 73P B2 1% R15 200ppm 1k RL	PRODUCTION
1-2176542-6	RLW 73PB2FR18TDF	RLW 73P B2 1% R18 200ppm 1k RL	PRODUCTION
1-2176542-7	RLW 73PB2FR22TDF	RLW 73P B2 1% R22 200ppm 1k RL	PRODUCTION
1-2176542-8	RLW 73PB2FR27TDF	RLW 73P B2 1% R27 200ppm 1k RL	PRODUCTION
1-2176542-9	RLW 73PB2FR33TDF	RLW 73P B2 1% R33 200ppm 1k RL	PRODUCTION
2-2176542-0	RLW 73PB2FR39TDF	RLW 73P B2 1% R39 200ppm 1k RL	PRODUCTION
2-2176542-1	RLW 73PB2FR47TDF	RLW 73P B2 1% R47 200ppm 1k RL	PRODUCTION

THIS DRAWING IS A CONTROLLED DOCUMENT.		DWN LALITH G	21OCT2022	 TE Connectivity	
DIMENSIONS: mm		CHK ALLAN P	21OCT2022		
		APVD ALLAN P	21OCT2022		
TOLERANCES UNLESS OTHERWISE SPECIFIED:		PRODUCT SPEC		NAME WIDE TERMINAL CURRENT SENSING RESISTOR TYPE RLW73 SERIES	
0 PLC ±0.2		-		-	
1 PLC ±0.1		APPLICATION SPEC		-	
2 PLC ±		-		-	
3 PLC ±		WEIGHT		-	
4 PLC ±		-		-	
ANGLES ±		CUSTOMER DRAWING		SCALE 50:1 SHEET 2 OF 2 REV BA	
FINISH		-		-	
MATERIAL		-		-	