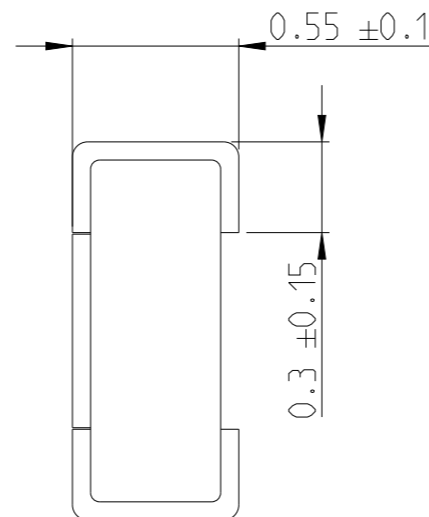
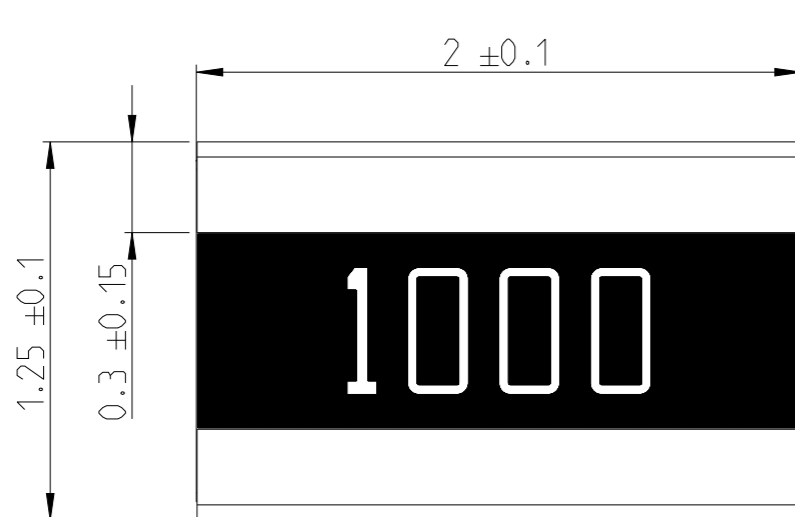
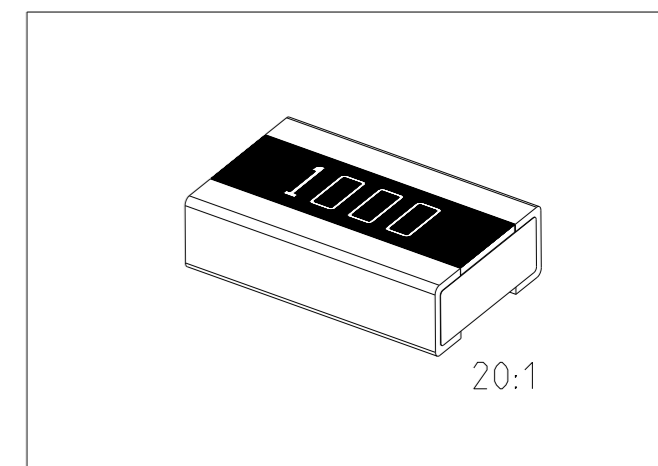
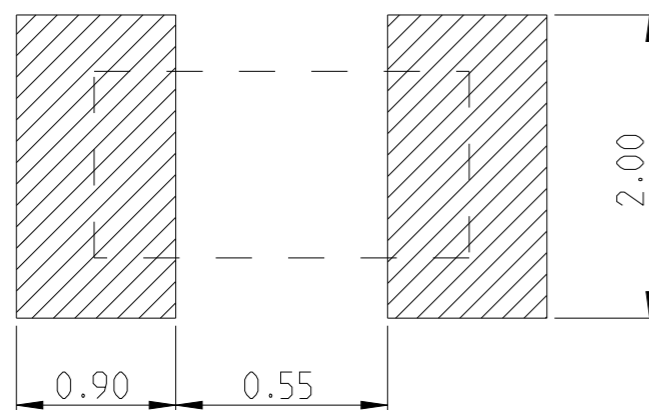


P	LTR	DESCRIPTION	DATE	DWN	APVD
	BA	INITIAL DRAWING RELEASE	19OCT2022	DM	AP



FOR FURTHER INFORMATION SEE DATA SHEET FOR 3430 SERIES AUTOMOTIVE GRADE WIDE TERMINAL CHIP RESISTOR

RECOMMENDED LAND PATTERN



RoHS Compliant

THIS DRAWING IS A CONTROLLED DOCUMENT.		DWN DHEERAJ M 19OCT2022															
DIMENSIONS: mm		CHK A. PILE 19OCT2022															
TOLERANCES UNLESS OTHERWISE SPECIFIED:		APVD A. PILE 19OCT2022	NAME AUTOMOTIVE GRADE WIDE TERMINAL CHIP RESISTOR TYPE 3430 0508 SERIES														
<table border="1"> <tr> <td>0 PLC</td> <td>±</td> </tr> <tr> <td>1 PLC</td> <td>±</td> </tr> <tr> <td>2 PLC</td> <td>±</td> </tr> <tr> <td>3 PLC</td> <td>±</td> </tr> <tr> <td>4 PLC</td> <td>±</td> </tr> <tr> <td>ANGLES</td> <td>±</td> </tr> </table>		0 PLC	±	1 PLC	±	2 PLC	±	3 PLC	±	4 PLC	±	ANGLES	±	PRODUCT SPEC -	RESTRICTED TO -		
0 PLC	±																
1 PLC	±																
2 PLC	±																
3 PLC	±																
4 PLC	±																
ANGLES	±																
MATERIAL -		APPLICATION SPEC -	SIZE A3	CAGE CODE 00779	DRAWING NO C=2176555												
FINISH -		WEIGHT -	SCALE 40:1														
		CUSTOMER DRAWING		SHEET 1 OF 2	REV BA												

REVISIONS

P	LTR	DESCRIPTION	DATE	DWN	APVD
	-	SEE SHEET 1	-	-	-

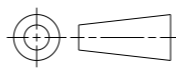
SCHEDULE

TCPN	CATALOGUE NUMBER	PART DESCRIPTION	PART STATUS
2176555-1	3430A2F12KTDF	3430 A2 1% 12K 100ppm 1k RL	PRODUCTION
2176555-2	3430A2F13KTDF	3430 A2 1% 13K 100ppm 1k RL	PRODUCTION
2176555-3	3430A2F15KTDF	3430 A2 1% 15K 100ppm 1k RL	PRODUCTION
2176555-4	3430A2F16KTDF	3430 A2 1% 16K 100ppm 1k RL	PRODUCTION
2176555-5	3430A2F18KTDF	3430 A2 1% 18K 100ppm 1k RL	PRODUCTION
2176555-6	3430A2F20KTDF	3430 A2 1% 20K 100ppm 1k RL	PRODUCTION
2176555-7	3430A2F22KTDF	3430 A2 1% 22K 100ppm 1k RL	PRODUCTION
2176555-8	3430A2F24KTDF	3430 A2 1% 24K 100ppm 1k RL	PRODUCTION
2176555-9	3430A2F27KTDF	3430 A2 1% 27K 100ppm 1k RL	PRODUCTION
1-2176555-0	3430A2F30KTDF	3430 A2 1% 30K 100ppm 1k RL	PRODUCTION
1-2176555-1	3430A2F33KTDF	3430 A2 1% 33K 100ppm 1k RL	PRODUCTION
1-2176555-2	3430A2F36KTDF	3430 A2 1% 36K 100ppm 1k RL	PRODUCTION
1-2176555-3	3430A2F39KTDF	3430 A2 1% 39K 100ppm 1k RL	PRODUCTION
1-2176555-4	3430A2F43KTDF	3430 A2 1% 43K 100ppm 1k RL	PRODUCTION
1-2176555-5	3430A2F47KTDF	3430 A2 1% 47K 100ppm 1k RL	PRODUCTION
1-2176555-6	3430A2F51KTDF	3430 A2 1% 51K 100ppm 1k RL	PRODUCTION
1-2176555-7	3430A2F56KTDF	3430 A2 1% 56K 100ppm 1k RL	PRODUCTION
1-2176555-8	3430A2F62KTDF	3430 A2 1% 62K 100ppm 1k RL	PRODUCTION
1-2176555-9	3430A2F68KTDF	3430 A2 1% 68K 100ppm 1k RL	PRODUCTION
2-2176555-0	3430A2F75KTDF	3430 A2 1% 75K 100ppm 1k RL	PRODUCTION
2-2176555-1	3430A2F82KTDF	3430 A2 1% 82K 100ppm 1k RL	PRODUCTION
2-2176555-2	3430A2F91KTDF	3430 A2 1% 91K 100ppm 1k RL	PRODUCTION
2-2176555-3	3430A2F100KTDF	3430 A2 1% 100K 100ppm 1k RL	PRODUCTION
2-2176555-4	3430A2F110KTDF	3430 A2 1% 110K 100ppm 1k RL	PRODUCTION
2-2176555-5	3430A2F120KTDF	3430 A2 1% 120K 100ppm 1k RL	PRODUCTION
2-2176555-6	3430A2F130KTDF	3430 A2 1% 130K 100ppm 1k RL	PRODUCTION
2-2176555-7	3430A2F150KTDF	3430 A2 1% 150K 100ppm 1k RL	PRODUCTION
2-2176555-8	3430A2F160KTDF	3430 A2 1% 160K 100ppm 1k RL	PRODUCTION
2-2176555-9	3430A2F180KTDF	3430 A2 1% 180K 100ppm 1k RL	PRODUCTION
3-2176555-0	3430A2F200KTDF	3430 A2 1% 200K 100ppm 1k RL	PRODUCTION

SCHEDULE

TCPN	CATALOGUE NUMBER	PART DESCRIPTION	PART STATUS
3-2176555-1	3430A2F220KTDF	3430 A2 1% 220K 100ppm 1k RL	PRODUCTION
3-2176555-2	3430A2F240KTDF	3430 A2 1% 240K 100ppm 1k RL	PRODUCTION
3-2176555-3	3430A2F270KTDF	3430 A2 1% 270K 100ppm 1k RL	PRODUCTION
3-2176555-4	3430A2F300KTDF	3430 A2 1% 300K 100ppm 1k RL	PRODUCTION
3-2176555-5	3430A2F330KTDF	3430 A2 1% 330K 100ppm 1k RL	PRODUCTION
3-2176555-6	3430A2F360KTDF	3430 A2 1% 360K 100ppm 1k RL	PRODUCTION
3-2176555-7	3430A2F390KTDF	3430 A2 1% 390K 100ppm 1k RL	PRODUCTION
3-2176555-8	3430A2F430KTDF	3430 A2 1% 430K 100ppm 1k RL	PRODUCTION
3-2176555-9	3430A2F470KTDF	3430 A2 1% 470K 100ppm 1k RL	PRODUCTION
4-2176555-0	3430A2F510KTDF	3430 A2 1% 510K 100ppm 1k RL	PRODUCTION
4-2176555-1	3430A2F560KTDF	3430 A2 1% 560K 100ppm 1k RL	PRODUCTION
4-2176555-2	3430A2F620KTDF	3430 A2 1% 620K 100ppm 1k RL	PRODUCTION
4-2176555-3	3430A2F680KTDF	3430 A2 1% 680K 100ppm 1k RL	PRODUCTION
4-2176555-4	3430A2F750KTDF	3430 A2 1% 750K 100ppm 1k RL	PRODUCTION
4-2176555-5	3430A2F820KTDF	3430 A2 1% 820K 100ppm 1k RL	PRODUCTION
4-2176555-6	3430A2F910KTDF	3430 A2 1% 910K 100ppm 1k RL	PRODUCTION
4-2176555-7	3430A2F1M0TDF	3430 A2 1% 1M0 100ppm 1k RL	PRODUCTION

THIS DRAWING IS A CONTROLLED DOCUMENT.

DIMENSIONS: mm	TOLERANCES UNLESS OTHERWISE SPECIFIED:
	0 PLC ± 1 PLC ± 2 PLC ± 3 PLC ± 4 PLC ± ANGLES ±
MATERIAL	FINISH
-	-

DWN	19OCT2022
CHK	DHEERAJ M
APVD	19OCT2022
PRODUCT SPEC	A. PILE
APPLICATION SPEC	A. PILE
WEIGHT	-
CUSTOMER DRAWING	

TE TE Connectivity

NAME
AUTOMOTIVE GRADE WIDE TERMINAL CHIP RESISTOR TYPE 3430 0508 SERIES

SIZE	CAGE CODE	DRAWING NO	RESTRICTED TO
A3	00779	©=2176555	-

SCALE 15:1 SHEET 2 OF 2 REV BA