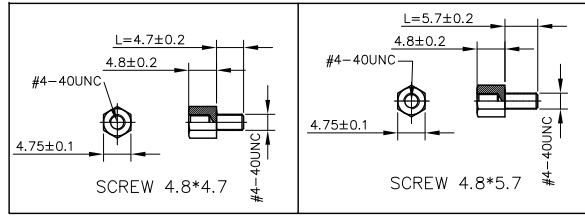
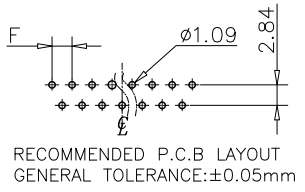
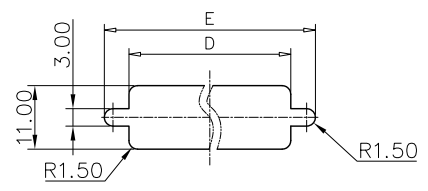
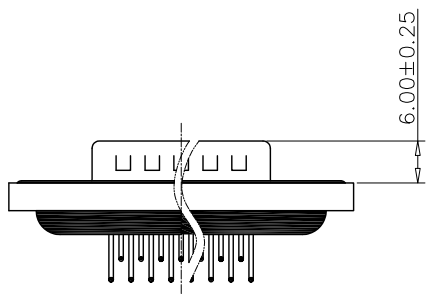
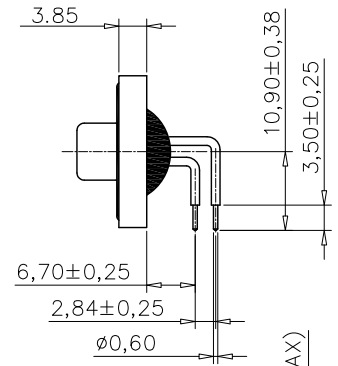
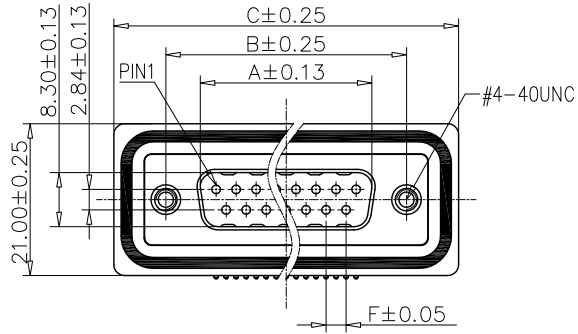


This document is the property of Amphenol Corporation and is delivered on the express condition that it is not to be disclosed, reproduced or used, in whole or in part, for manufacture or sale by anyone other than Amphenol Corporation without its prior consent, & that no right is granted to disclose or to use any information in this document.



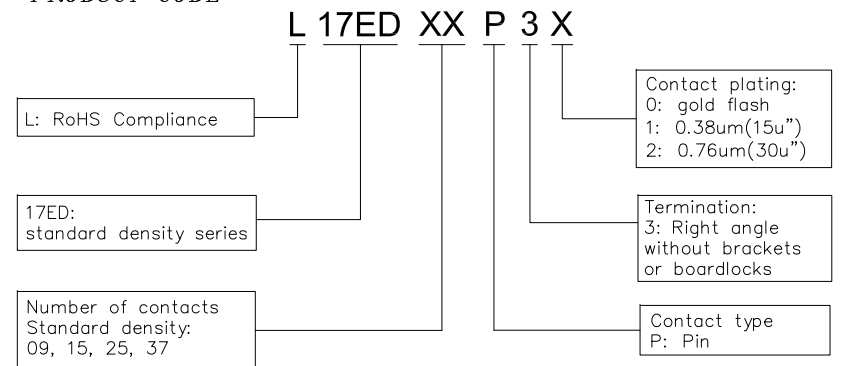
REVISIONS				
SYM	ECN	DESCRIPTION	DATE	APPROVED
1	HK--	New release	06/22/10	IP
2	HK--	Modify E dimension	04/19/12	IP
3	HK--	Update the drawing	02/25/14	IP

**D-SUB TECHNICAL DATA**

SHELL : Steel, 1.25um(50u") min nickel  
 BODY : Glass filled thermoplastic.  
 flame retardant to UL94 V-0 color Black  
 PLATE : Glass filled thermoplastic.  
 flame retardant to UL94 V-0 color Black  
 CONTACTS : Brass,gold over 50u" min nickel.(According to the P/N)  
 SCREWLOCK : Steel, 50u" min nickel  
 REAR INSERT: Steel, 50u" min nickel  
 O RING : Silicone Color: Blue  
 EPOXY : Color: Black  
 ELECTRICAL : Voltage rating : 300 V RMS at 50 Hz  
 Current rating : 5A  
 Insulation resistance >5000 M Ohms  
 Contact resistance 20mOhms max.  
 Temperature range -55°C ~ +85°C  
 MARKING : Amphenol logo  
 Manufacturing date(YYWW)

NOTE: Screw L=4.7 For Panel Thickness Under X=1.2mm  
 Screw L=5.7 For Panel Thickness Between X=1.2~2.0mm

**PRODUCT CODE**



**Customer drawing**

POSITION	A	B	C	D	E	F(PITCH)
9	16.90	24.99	39.40	20.00	28.20	2.77
15	25.30	33.30	47.70	28.00	36.50	2.77
25	38.96	47.04	64.50	41.50	51.00	2.77
37	55.42	63.50	80.78	57.80	67.30	2.77



UNLESS OTHERWISE SPECIFIED TOLERANCES U.S. METRIC .X +/- 0.50 .XX +/- 0.30 .XXX +/- 0.20 FRACTIONS +/- 2" ANGLES +/-	APPROVAL	DATE
	DRAWN Felix.Liu	02/25/14
	CHECKED Tony.Lang	02/25/14
	CHECKED	
FOR MATERIALS AND FINISHES SEE NOTES	DRAWING FILE :	
REMOVE SHARP EDGES	ANGLE OF PROJECTION	
DIMENSIONS U.S. INCHES METRIC MM		

Amphenol		
Amphenol East Asia Limited		
TITLE D-sub Waterproof, ED series, Male, Right Angle		
SIZE	DRAWING NO.	REV.
A4	C L17EDXXP3X	3
SCALE	NONE	SHEET 1 OF 1