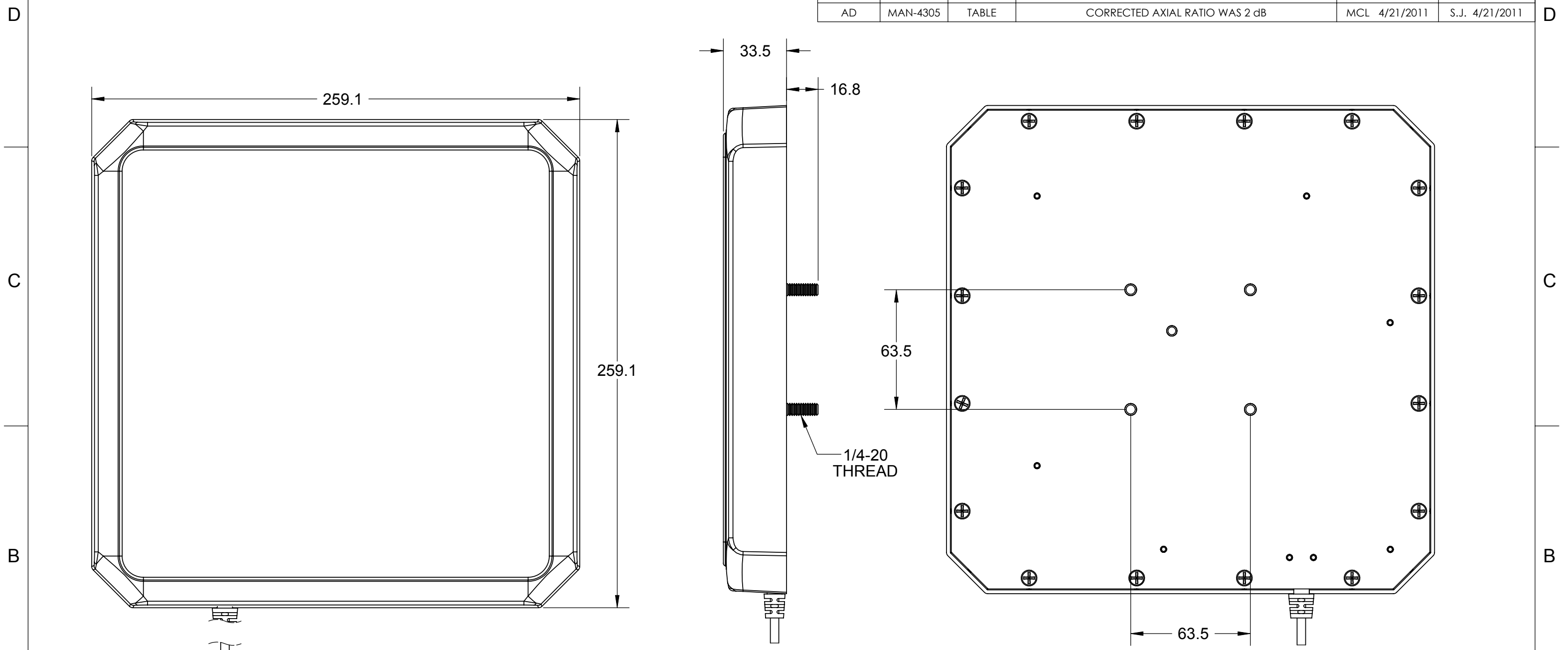


6 5 4 3 2 1

THIS DRAWING IS UNPUBLISHED. RELEASED FOR PUBLICATION
 © Copyright 2022 TE Connectivity Ltd. ALL RIGHTS RESERVED.

REVISIONS					
REV.	ECR#	ZONE	DESCRIPTION	CHANGED BY/DATE	APPROVED BY/DATE
AA			INITIAL RELEASE	S.J. 9/9/2008	S.J. 9/9/2008
AB	3881		CHANGED VSWR VALUE FROM 1.20:1 TO 1.3:1	MCL 1/22/2009	T.P. 1/22/2009
AC	MAN-4213	TABLE	CORRECTED BEAMWIDTH FROM: 54° TO: 70°	MCL 1/17/2011	T.P. 1/17/2011
AD	MAN-4305	TABLE	CORRECTED AXIAL RATIO WAS 2 dB	MCL 4/21/2011	S.J. 4/21/2011



Parameter	Performance
Antenna Part Number	S9028PCL12NFMO
Frequency	902-928 MHz
Gain	9dBic
Polarization	Left Hand Circular
VSWR	1.3:1
Beamwidth (3dB)	70 Degrees x 70 Degrees
Front to Back Ratio	20 dB
Axial Ratio	1 dB Typical
Pigtail	RG-58, 12"
RF Connector	N(f)
Power	10 Watts
Weight	2.3 lbs

MATERIAL: N/A		THIRD ANGLE PROJECTION
FINISH: N/A		
APPROVALS		DO NOT SCALE DRAWING INTERPRET DIMENSIONING AND TOLERANCING IN ACCORDANCE WITH ASME Y14.5M-1994 TOLERANCES UNLESS OTHERWISE SPECIFIED DIMENSIONS ARE IN MILLIMETERS ANGLE: 0 PLACE DECIMAL: ±0.5 1 PLACE DECIMAL: ±0.25 2 PLACE DECIMAL: ±0.13 SURFACE ROUGHNESS 1.6/√
DATE		
DRAWN BY	S. JOHNSON 09/09/08	
PROJ. ENG.	T. PETROPOULOS 09/09/08	
APPL. MECH.	K. SEARL 09/09/08	
MFG.	I. CHICKLIS 09/09/08	

TE
connectivity

TITLE:
S9028PCL12NF

SIZE A3	DWG. NO. S9028PCL12NFMO	REV AD
SCALE: 1:2 PREVIOUS#		SHEET 1 OF 1

6 5 4 3 2 1