

TABLE OF CONTENTS	
SHEET NO.	SHEET DESCRIPTION
1	GENERAL NOTES
2	CONFIGURATIONS
3	ALL KEY CONFIGURATIONS
4	BLADE CONNECTOR ASSEMBLY
5	8W BOM
6	9W BOM
7	10W BOM

NOTES: VALID UNLESS OTHERWISE SPECIFIED

1. GENERAL:
- a. APPLICATION SPECIFICATION SEE: 1601110001-AS
 - CONTAINS: PRODUCT INTRODUCTION, PRODUCT SUMMARY, CONNECTOR ASSEMBLY, PACKAGING INFORMATION, CONNECTOR MATING, SERVICE INSTRUCTIONS, ELECTRICAL CONTINUITY CHECKING, CRIMPING, AND TROUBLESHOOTING.
 - DESIGNED TO MATE WITH CONNECTOR AS SPECIFIED IN THE MATING CONNECTOR DRAWINGS CHART.
 - FOR TERMINALS TO BE USED WITH THIS ASSEMBLY SEE MOLEX DRAWING TBD.
 - SYSTEM TO BE USED WITH WIRE WITHIN DIAMETER RANGE OF 1.2 mm TO 2.69 mm.
 - ASSEMBLY SHIPPED WITH PLR IN PRE-LOCK POSITION (SEE PLR PRE-LOCK VIEW SHEET 5).

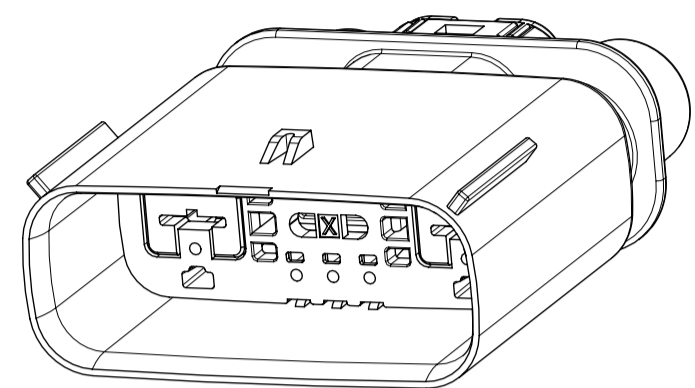
- b. PRODUCT SPECIFICATION SEE: 1600760001-PS
 - CONTAINS: PRODUCT INTRODUCTION, PRODUCT SUMMARY, RATINGS (CURRENT, TEMPERATURE, SEALING, AND FLAMMABILITY), AND PRODUCT VALIDATION.
- c. PACKAGING SPECIFICATION PER MOLEX DRAWING: SEE PACKAGING CHART
- d. PARTS MUST BE IN COMPLIANCE TO MOLEX CHEMICAL SUBSTANCES FOR PRODUCTS AND PACKAGING SPECIFICATION: QEHS-699000-300
- e. DATA MUST BE SUBMITTED UNDER THE MOLEX PART NUMBER TO IMDS (COMPANY ID#13255)

2. DESIGN - MATERIALS:
- a. SEE BOM TABLE (SHEET 4)

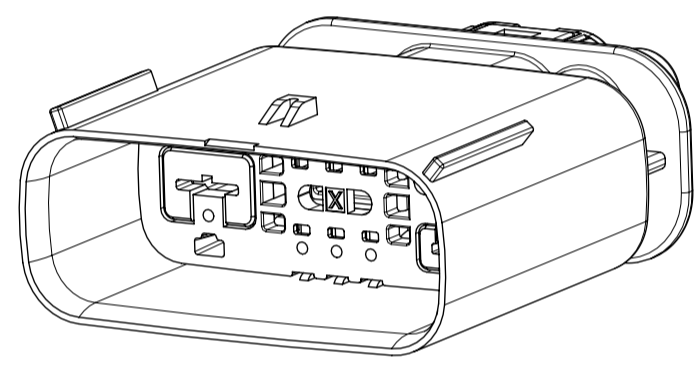
3. DESIGN - GEOMETRY:
- a. ALL GRAPHIC DATA IS BASIC (NO TOLERANCE) AND MUST BE TAKEN FROM THE DATA FILE AT ITS LATEST REVISION.
 - b. GEOMETRIC DIMENSIONS AND TOLERANCES PER ASME Y14.5M-2009
 - c. EDGES AND UNDIMENSIONED DETAILS PER ISO13715
 - d. CORNERS SHOWN AS SHARP TO BE R 0.2 MAX.
 - e. LETTERING SHALL BE 0.15 MAX RAISED IN 0.25 MAX RECESS PAD. THIS INCLUDES RECYCLING CODE, CAVITY ID, VENDOR IDENTIFICATION, AND CUSTOMER MATERIAL NUMBER.
 - f. VISUAL DEFECTS SHALL MEET COSMETIC STANDARD PS-45499-002 (Class B).
 - g. LASER MARKING:
 - 1. PART NUMBER
 - 2. DAY OF THE YEAR
 - 3. SHIFT
 - 4. YEAR
 FOR ADDITIONAL INFORMATION REFERENCE SECTION 5 UNDER PROCEDURES IN ES-34735-008.
 - h. PRODUCT DESIGN MODEL NUMBER: SEE BOM TABLE

PACKAGING	
DESCRIPTION	DRAWING NO.
10 WAY HYBRID (1.5/2.8)	PK-31300-635
8 WAY HYBRID (1.5/6.3)	
9 WAY HYBRID (1.5/2.8/6.3)	

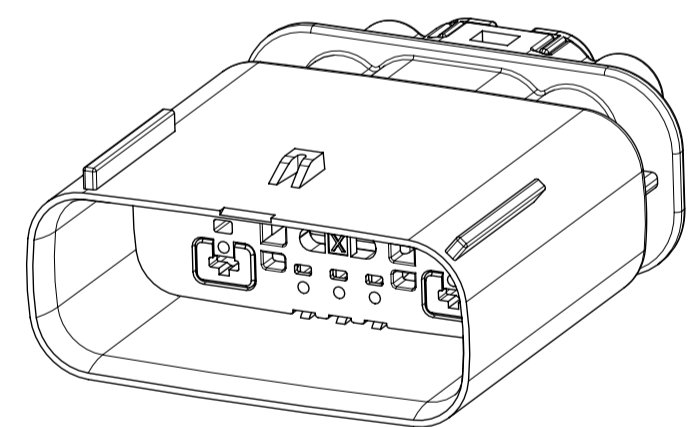
MATING CONNECTOR DRAWINGS	
DESCRIPTION	MOLEX INLINE
10 WAY HYBRID (1.5/2.8)	SD-160076-0001
8 WAY HYBRID (1.5/6.3)	
9 WAY HYBRID (1.5/2.8/6.3)	



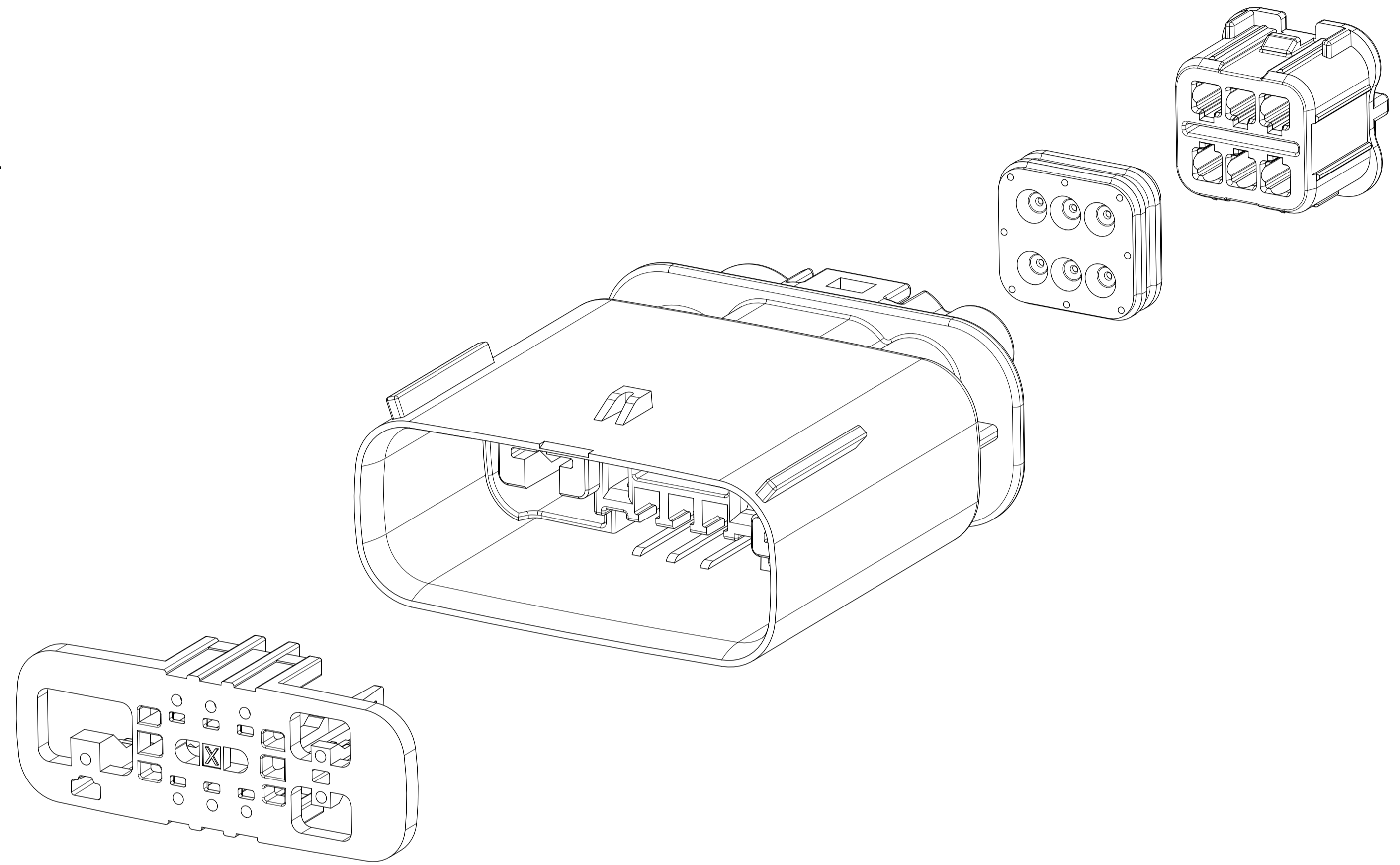
8W HYBRID



9W HYBRID



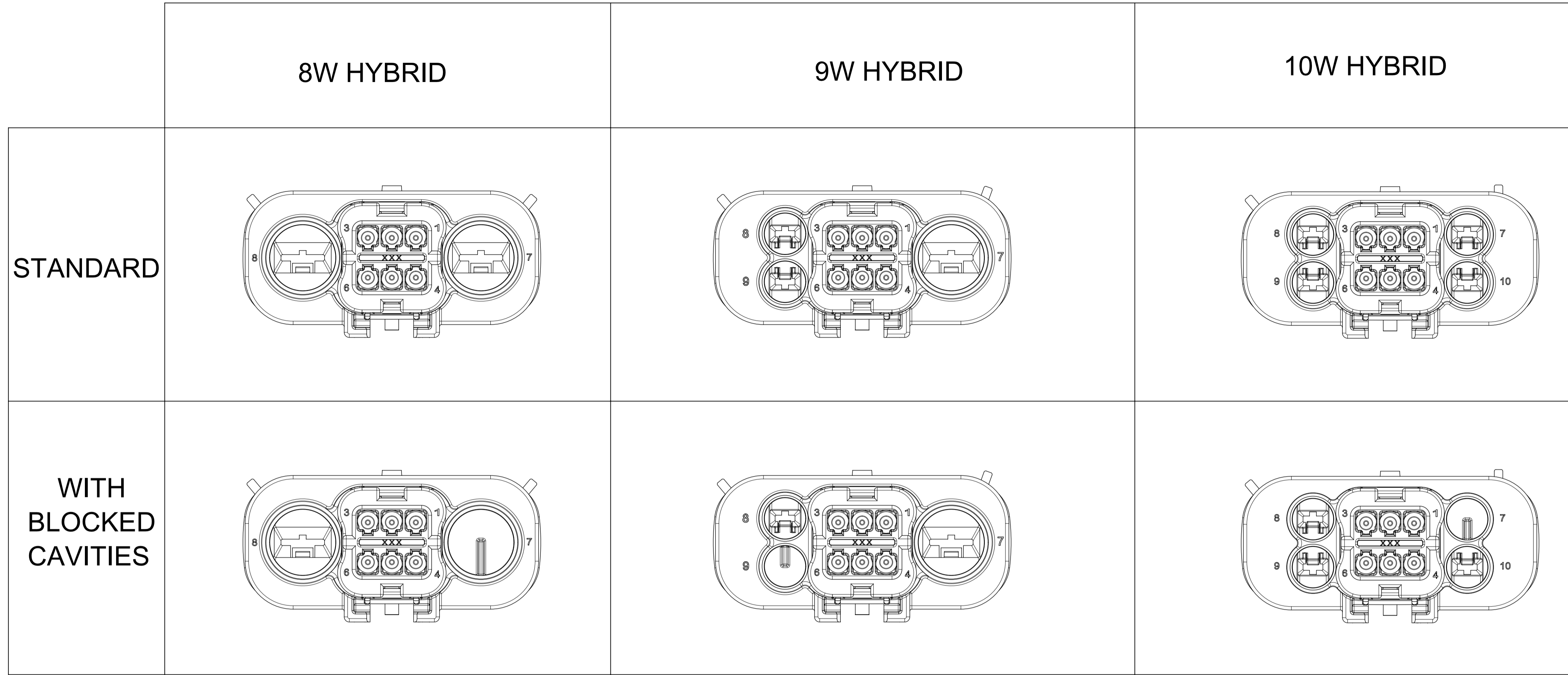
10W HYBRID



A3	UPDATED STATUS
A2	UPDATED DIMS 3,4,5
A1	UPDATED DIM 5 TOLERANCE
A	RELEASE FOR PRODUCTION
5	UPDATED DESIGN
4	MIGRATED DRAWING TO NX
3	UPDATED DESIGN
2	UPDATED VIEWS
1	INITIAL RELEASE
Rev	REV DISCRPTION

INSPECTION NUMBER LOG	
LAST NUMBER: 5	
ADDED:	
REMOVED:	

FUNCTIONAL SYMBOLS	THIS DRAWING CONTAINS INFORMATION THAT IS PROPRIETARY TO MOLEX ELECTRONIC TECHNOLOGIES, LLC AND SHOULD NOT BE USED WITHOUT WRITTEN PERMISSION		CURRENT REV DESC: Changed the document restriction to General Market.	
	DIMENSION UNITS	SCALE		
$\frac{E}{A} = 0$	mm	1.5:1		
$\frac{E}{C} = 0$	GENERAL TOLERANCES (UNLESS SPECIFIED)			
	ANGULAR TOL	$\pm 0.5^\circ$		
$\frac{E}{P} = 0$	4 PLACES	\pm		
	3 PLACES	\pm		
DIVISIONAL SYMBOLS	2 PLACES	\pm		
	1 PLACE	\pm		
	0 PLACES	\pm		
DRAFT WHERE APPLICABLE MUST REMAIN WITHIN DIMENSIONS		THIRD ANGLE PROJECTION	DRAWING	SERIES
			A1-SIZE	160077
		STATUS: Production		2023-03-21
		DRWN: Mahesh KP		2023-03-21
		CHK'D: Ryan Dunn		2023-03-21
		APPR: Ryan Dunn		2023-03-21
		DOCUMENT NUMBER	DOC TYPE	DOC PART
		1600770001	PSD	000
		CUSTOMER	REVISION	
		GENERAL MARKET	A5	
		MATERIAL NUMBER		SHEET NUMBER
				1 OF 7



FUNCTIONAL SYMBOLS = 0 = 0 = 0 DIVISIONAL SYMBOLS	THIS DRAWING CONTAINS INFORMATION THAT IS PROPRIETARY TO MOLEX ELECTRONIC TECHNOLOGIES, LLC AND SHOULD NOT BE USED WITHOUT WRITTEN PERMISSION		CURRENT REV DESC: Changed the document restriction to General Market.		
	DIMENSION UNITS mm	SCALE 2.5:1	GENERAL TOLERANCES (UNLESS SPECIFIED)		
	ANGULAR TOL ± 0.5°		STATUS: Production DRWN: Mahesh KP CHK'D: Ryan Dunn APPR: Ryan Dunn		
	DRAFT WHERE APPLICABLE MUST REMAIN WITHIN DIMENSIONS		THIRD ANGLE PROJECTION 	DRAWING A1-SIZE	SERIES 160077
		DOCUMENT NUMBER 1600770001	DOC TYPE PSD	DOC PART 000	
		CUSTOMER GENERAL MARKET	SHEET NUMBER 2 OF 7	REVISION A5	

molex

MX150 HYBRID BLADE DUAL ROW SEALED ASSY
DUAL ROW SEALED ASSEMBLY MAT SEAL

PRODUCT SALES DRAWING

DOCUMENT NUMBER DOC TYPE DOC PART REVISION

1600770001 PSD 000 A5

MATERIAL NUMBER CUSTOMER SHEET NUMBER

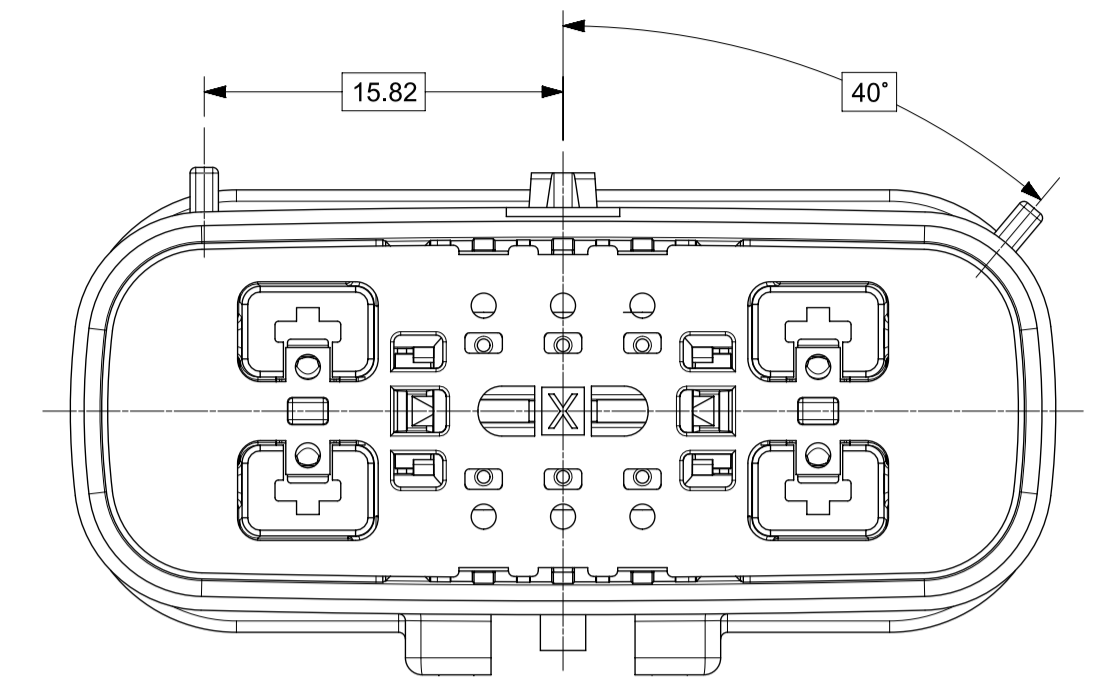
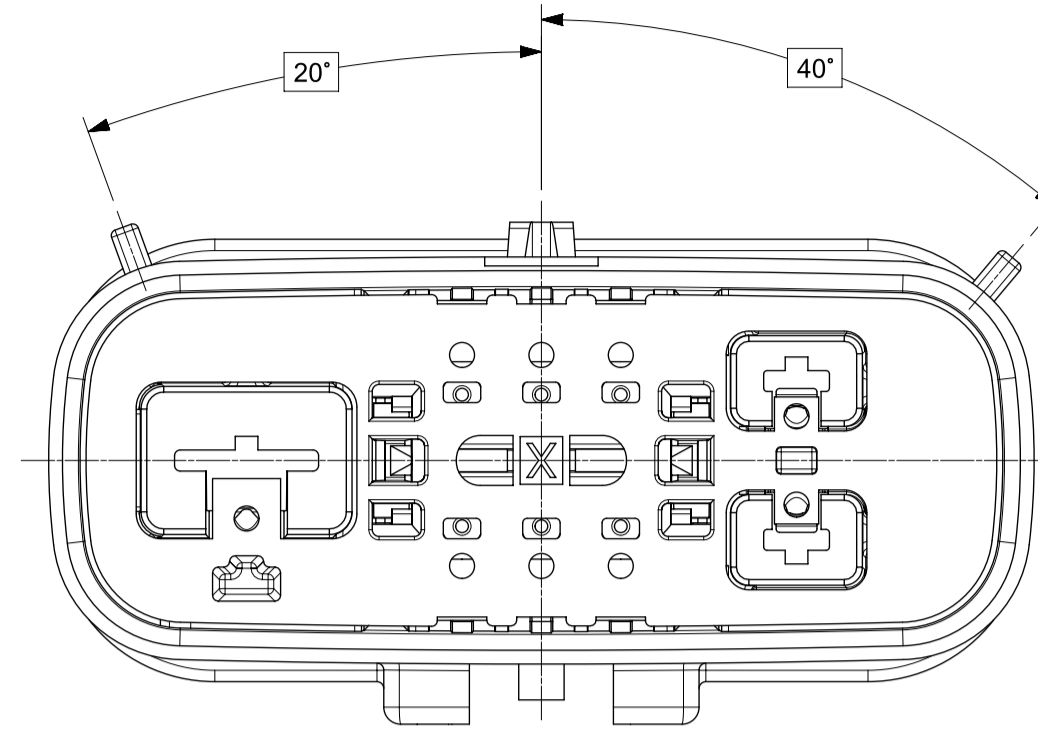
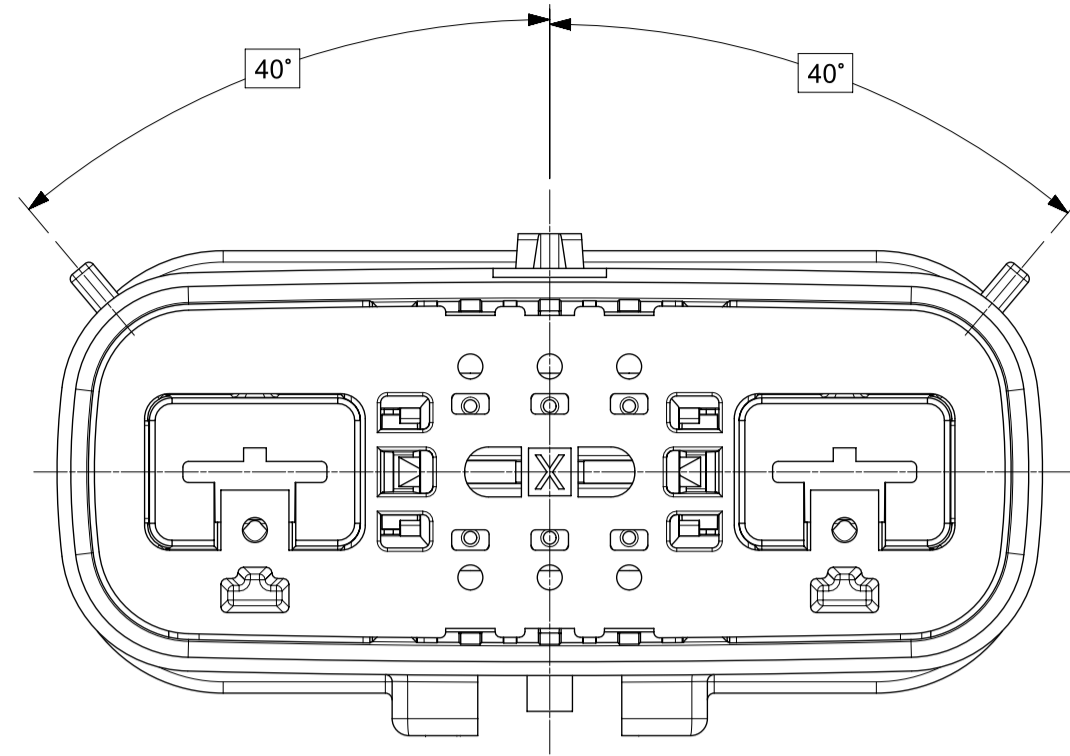
GENERAL MARKET 2 OF 7

8W HYBRID

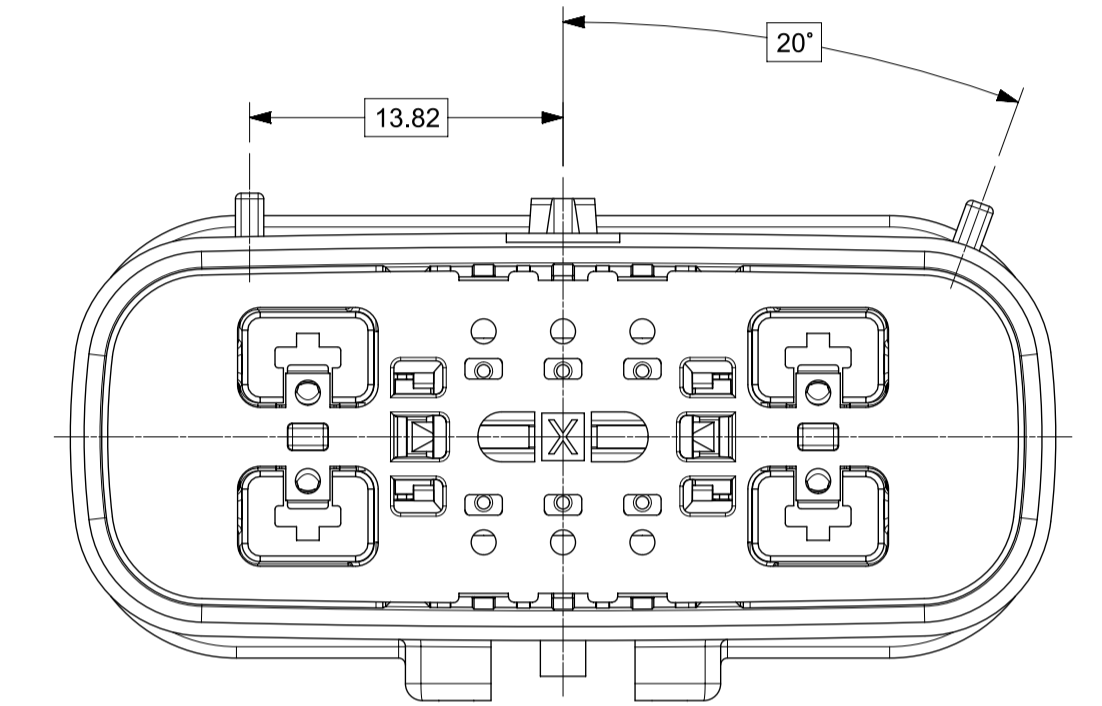
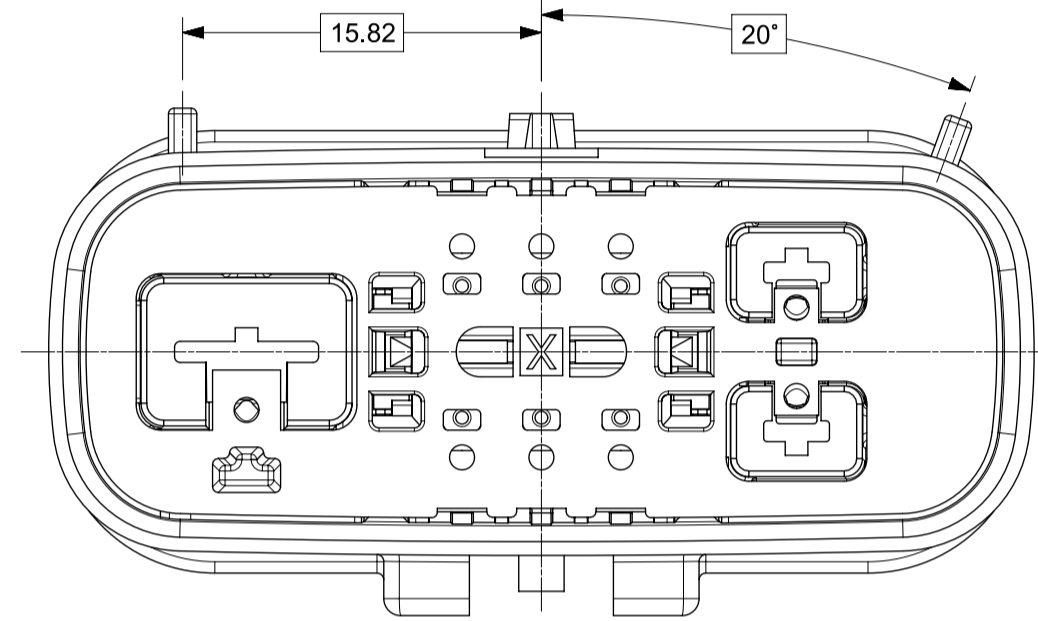
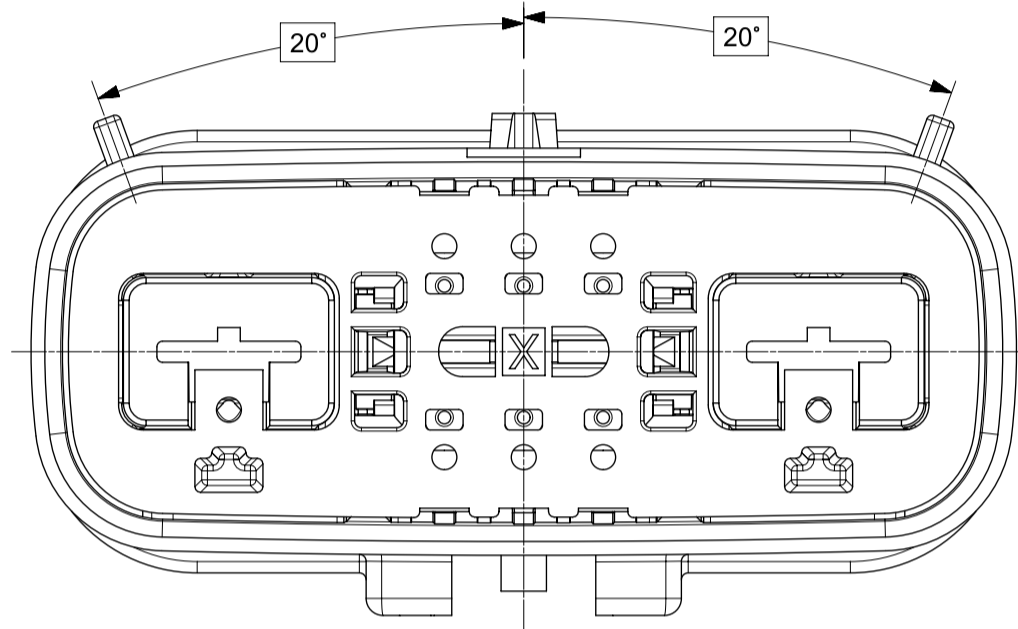
9W HYBRID

10W HYBRID

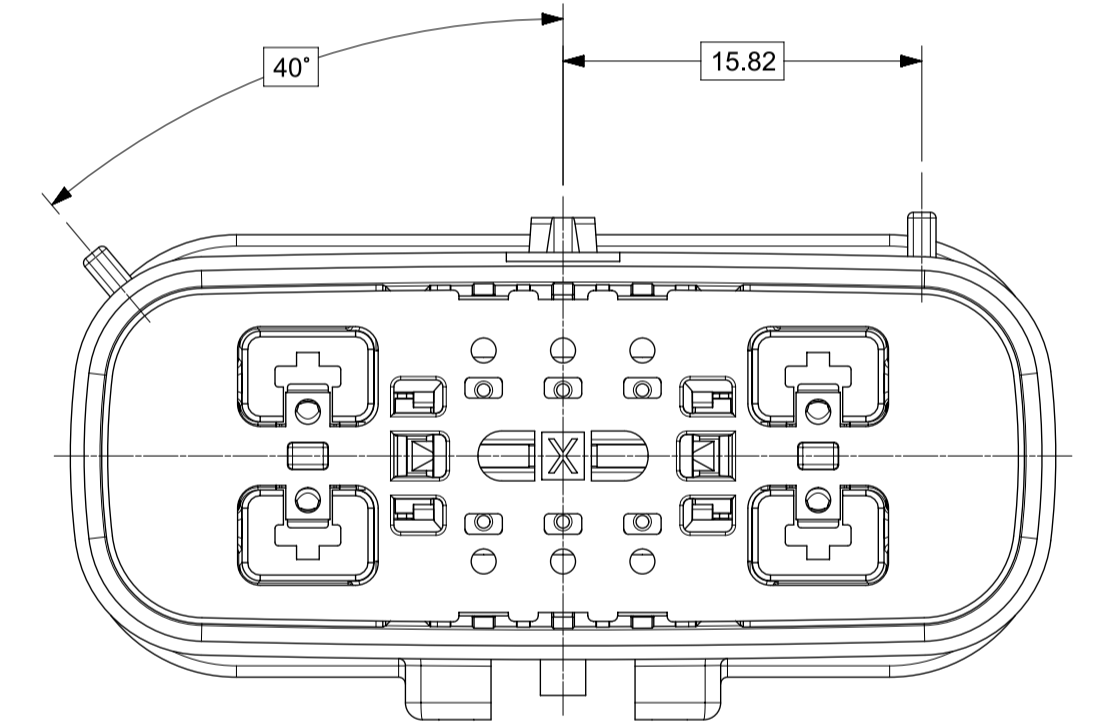
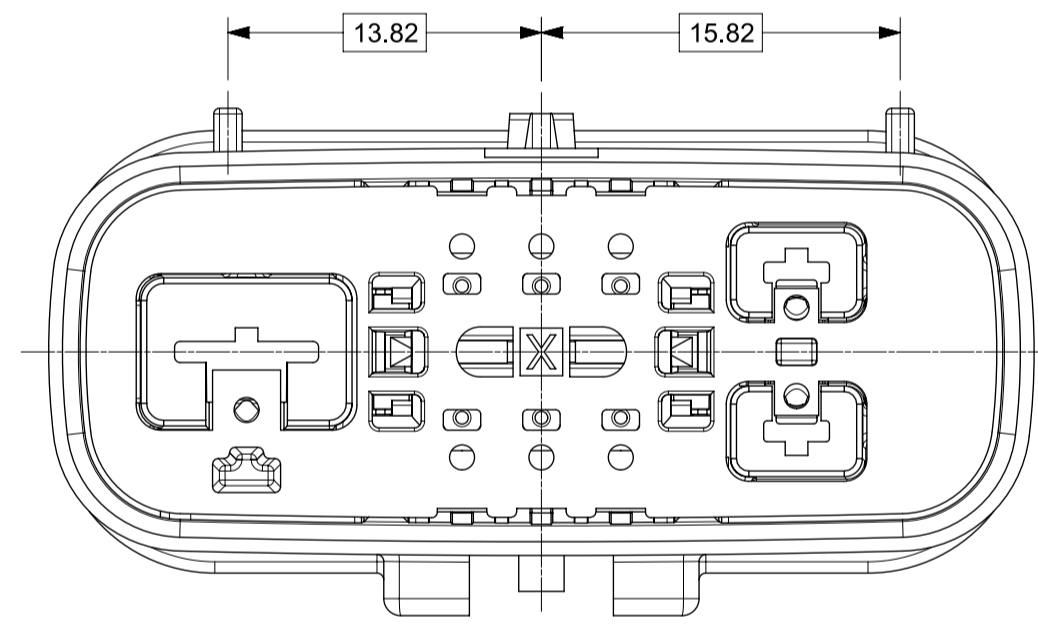
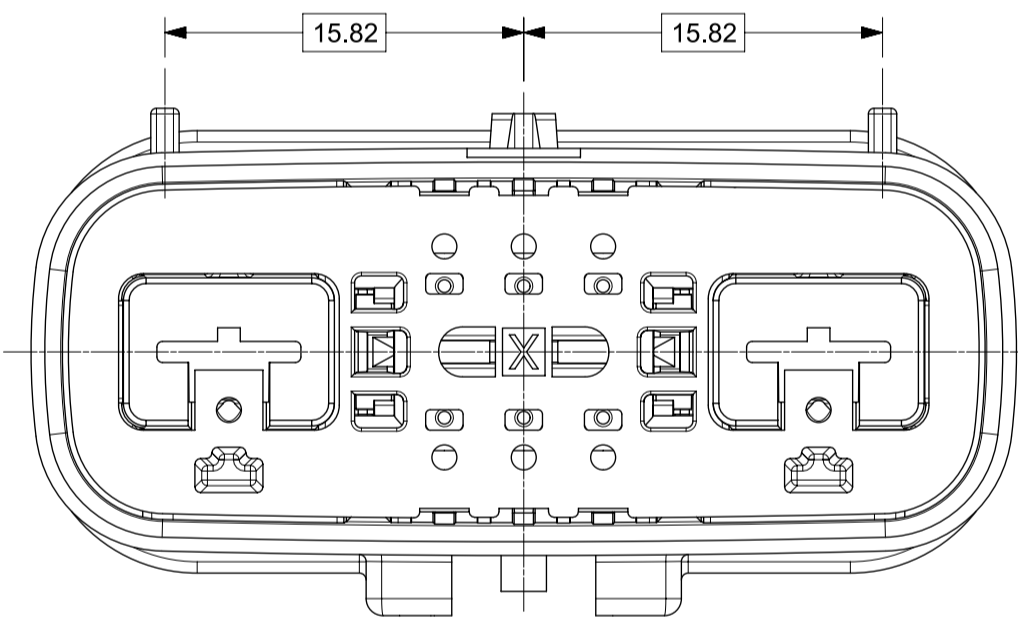
KEY A



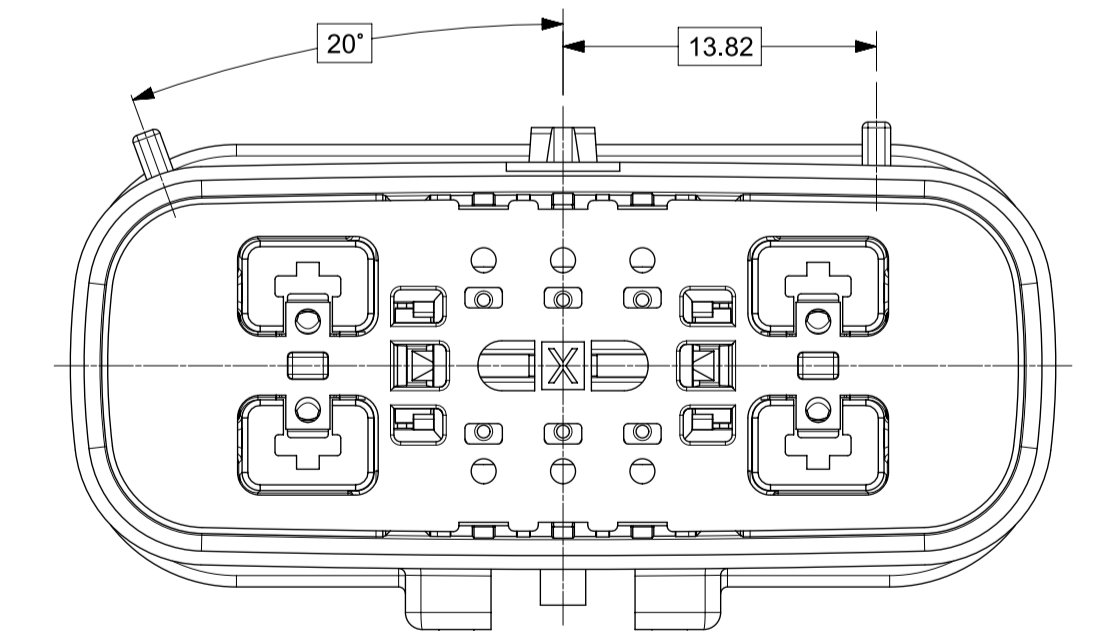
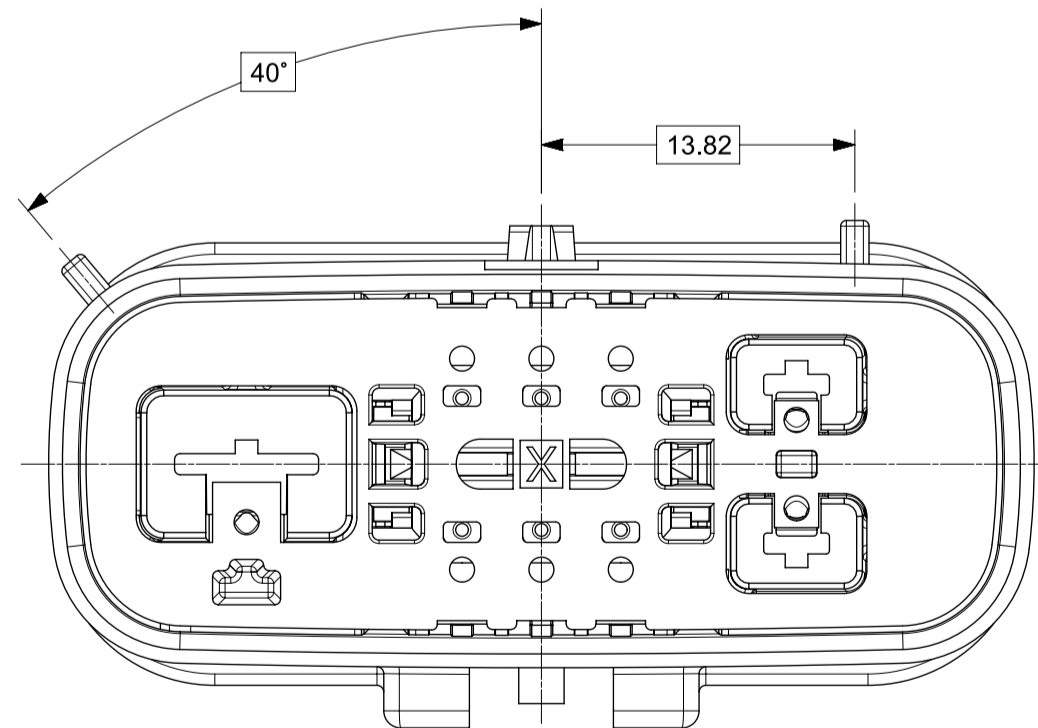
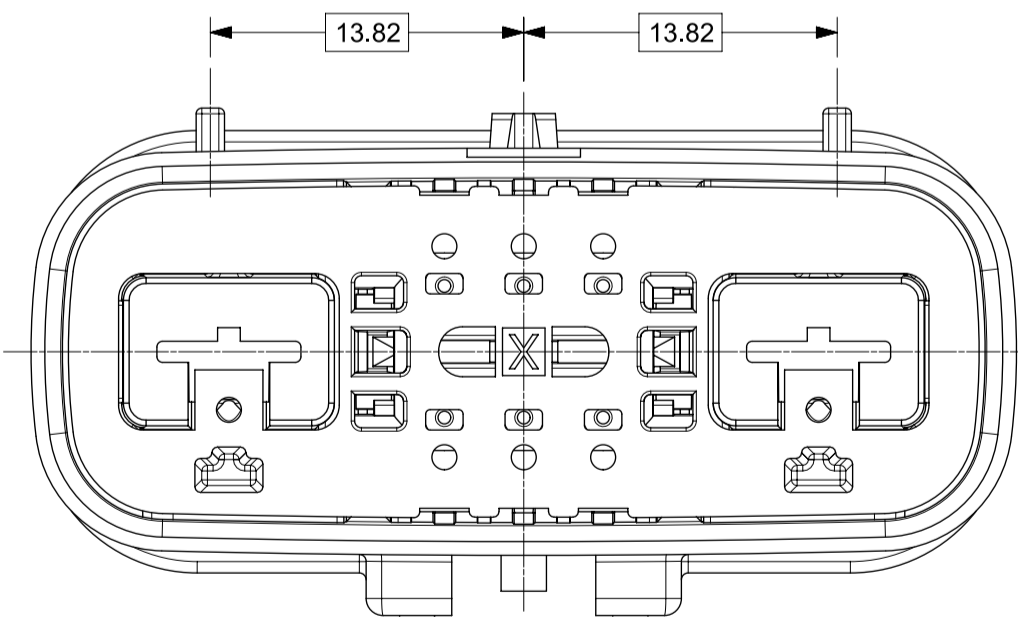
KEY B



KEY C



KEY D



FUNCTIONAL SYMBOLS FA = 0 FC = 0 FP = 0 DIVISIONAL SYMBOLS 2 PLACES ± 1 PLACE ± 0 PLACES ±	THIS DRAWING CONTAINS INFORMATION THAT IS PROPRIETARY TO MOLEX ELECTRONIC TECHNOLOGIES, LLC AND SHOULD NOT BE USED WITHOUT WRITTEN PERMISSION		CURRENT REV DESC: Changed the document restriction to General Market.	
	DIMENSION UNITS mm	SCALE 3:1	GENERAL TOLERANCES (UNLESS SPECIFIED) ANGULAR TOL ± 0.5°	
DRAFT WHERE APPLICABLE MUST REMAIN WITHIN DIMENSIONS		THIRD ANGLE PROJECTION 	DRAWING A1-SIZE	SERIES 160077
STATUS: Production DRWN: Mahesh KP CHK'D: Ryan Dunn APPR: Ryan Dunn		2023-03-21 2023-03-21 2023-03-21	DOCUMENT NUMBER 1600770001	DOC TYPE DOC PART REVISION PSD 000 A5
		MATERIAL NUMBER CUSTOMER GENERAL MARKET	SHEET NUMBER 3 OF 7	

molex

MX150 HYBRID BLADE DUAL ROW SEALED ASSY
DUAL ROW SEALED ASSEMBLY MAT SEAL

PRODUCT SALES DRAWING

DOCUMENT NUMBER | DOC TYPE | DOC PART | REVISION

1600770001

PSD | 000 | A5

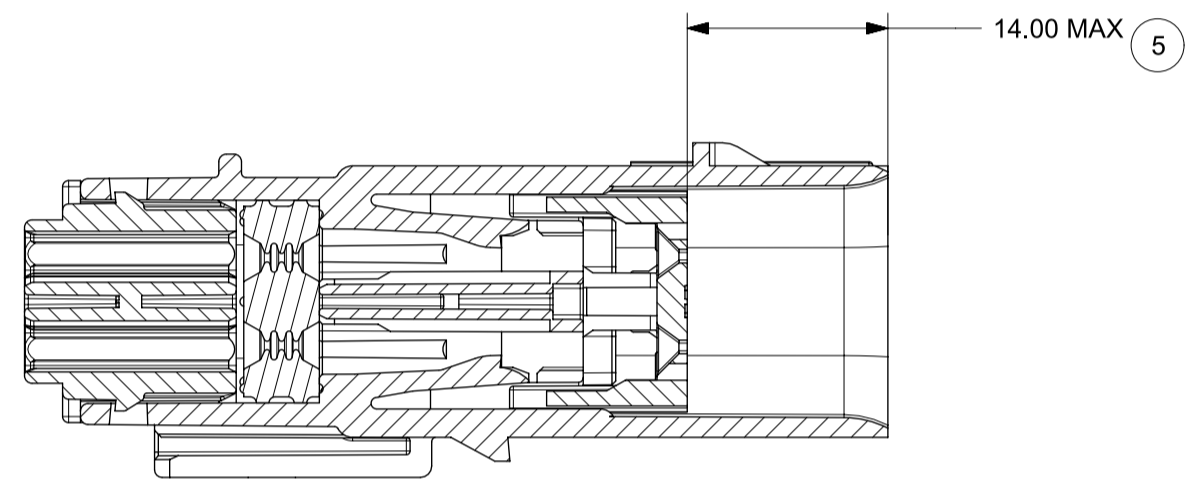
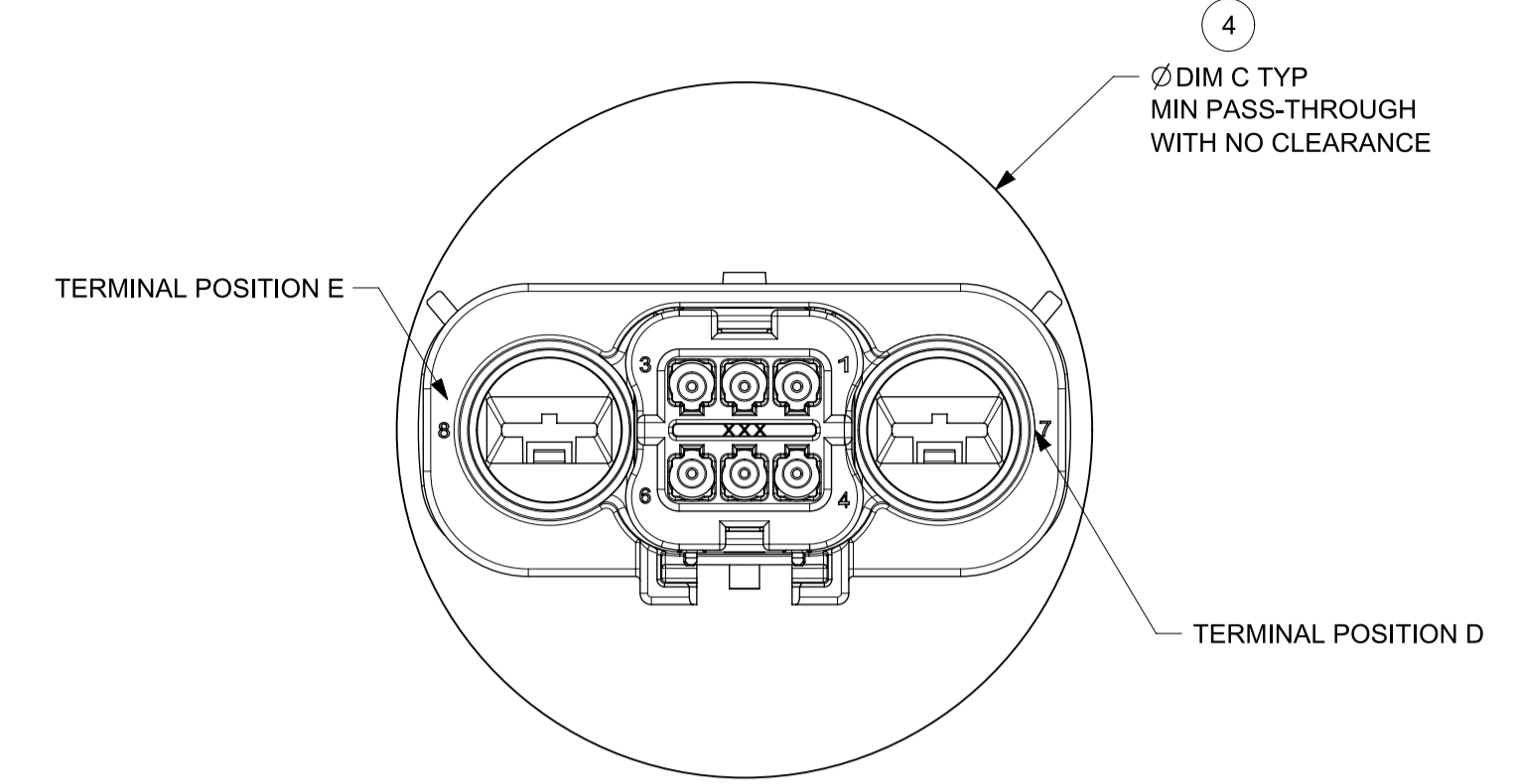
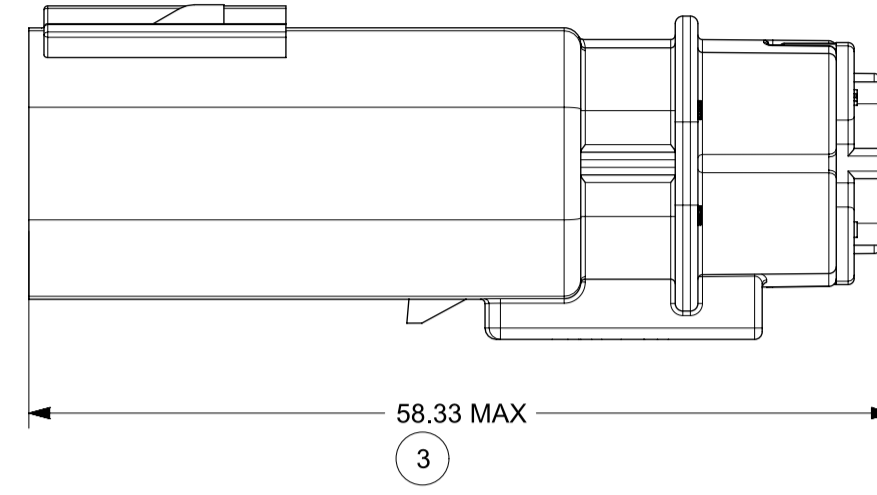
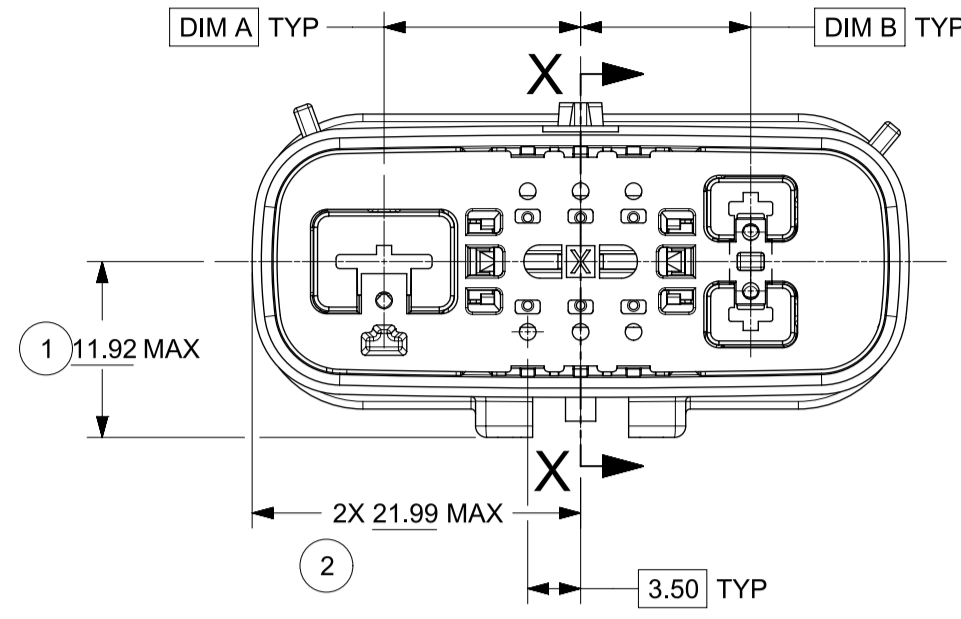
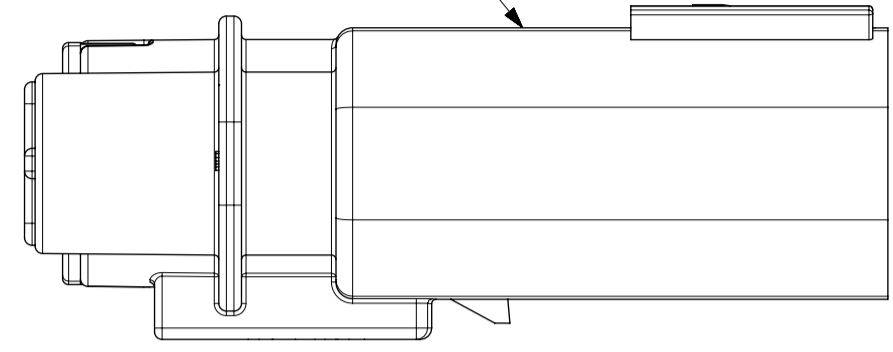
MATERIAL NUMBER | CUSTOMER | SHEET NUMBER

GENERAL MARKET | 3 OF 7

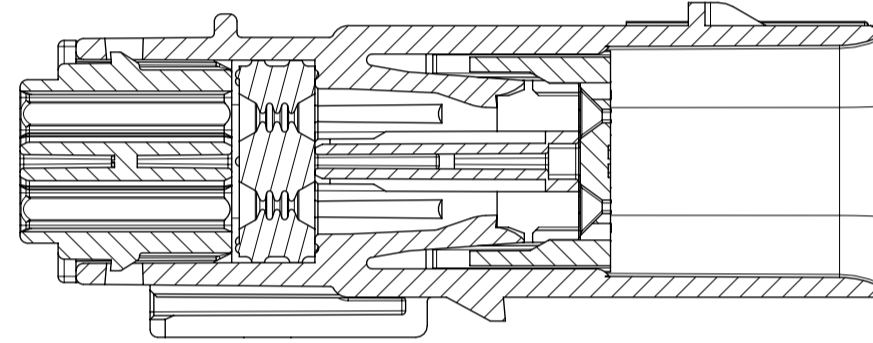
SHEET DESCRIPTION
BLADE CONNECTOR ASSEMBLY

DESCRIPTION	CHARTED DIMENSIONS						
	A	B	C	D	E	F	G
8 WAY HYBRID (1.5/6.3)	13.00	N/A	46.33	7	8	N/A	N/A
9 WAY HYBRID (1.5/2.8/6.3)	13.00	11.25	46.33	7	8	9	N/A
10 WAY HYBRID (1.5/2.8)	N/A	11.25	46.33	7	8	9	10

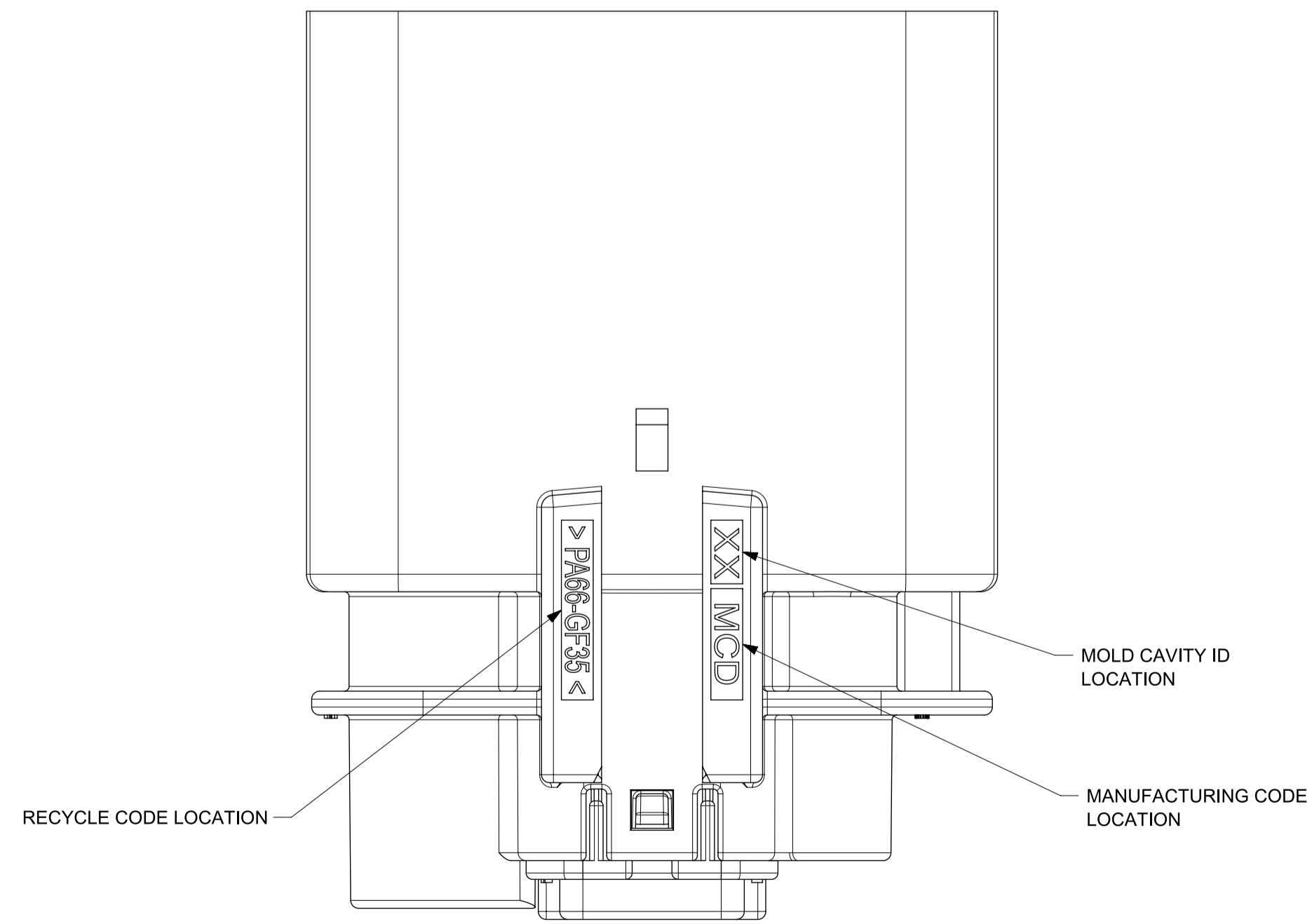
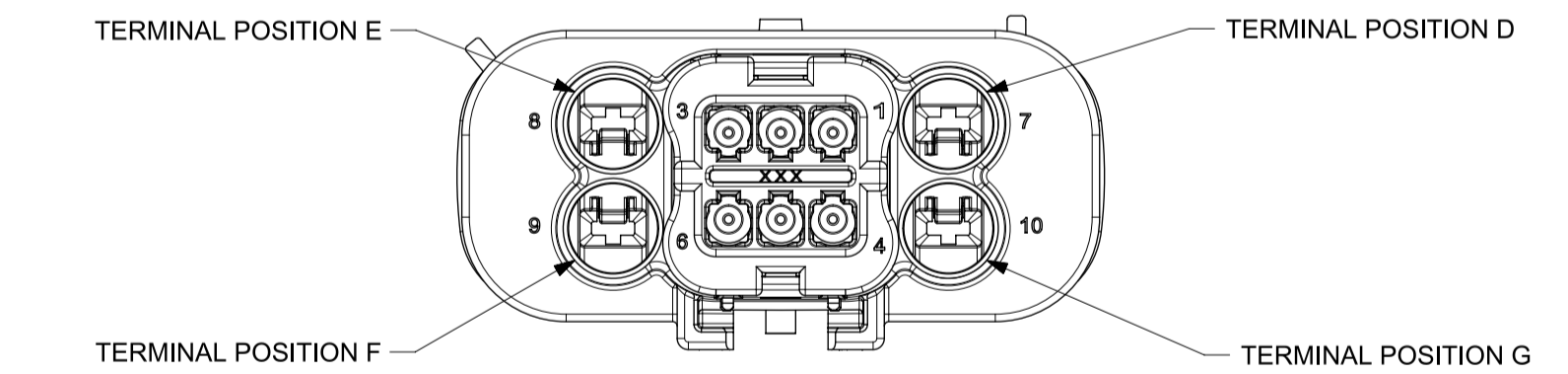
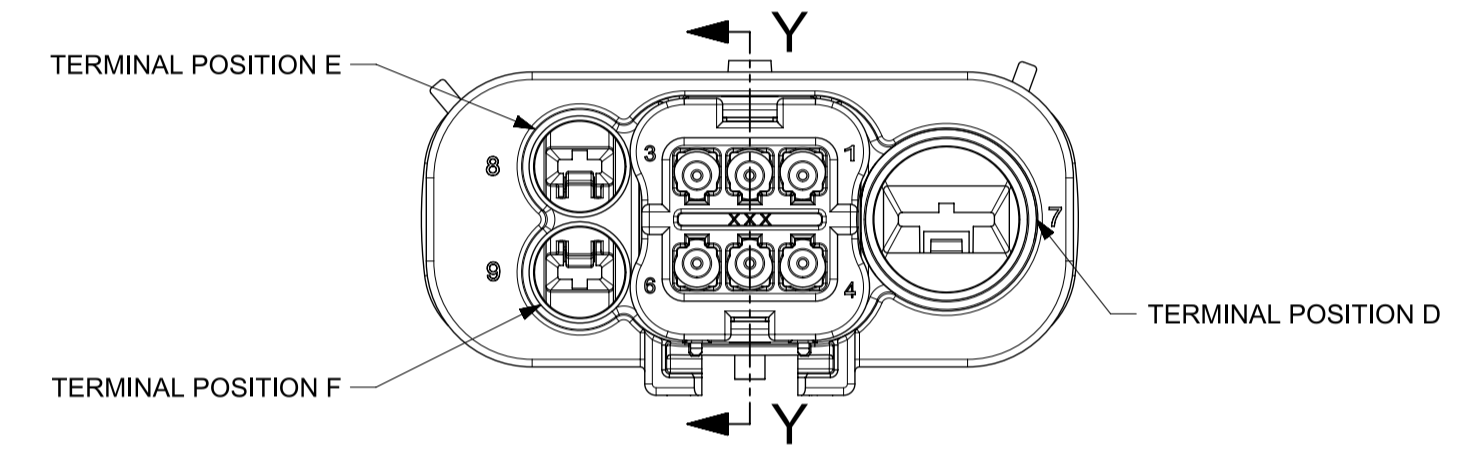
LASER MARKING ON THIS SURFACE
SEE NOTE 3g



PRIMARY LOCK REINFORCEMENT (PLR)
SHOWN IN PRE - STAGE POSITION
SECTION Y-Y



PRIMARY LOCK REINFORCEMENT (PLR)
SHOWN IN FINAL - STAGE POSITION
SECTION X-X



FUNCTIONAL SYMBOLS	THIS DRAWING CONTAINS INFORMATION THAT IS PROPRIETARY TO MOLEX ELECTRONIC TECHNOLOGIES, LLC AND SHOULD NOT BE USED WITHOUT WRITTEN PERMISSION		CURRENT REV DESC: Changed the document restriction to General Market.		
	FA = 0	mm	SCALE	1:1	
DIVISIONAL SYMBOLS	GENERAL TOLERANCES (UNLESS SPECIFIED)		STATUS: Production		
	FC = 0	ANGULAR TOL ± 0.5°	DRWN: Mahesh KP		
DIVISIONAL SYMBOLS	FP = 0	4 PLACES ±	2023-03-21		
		3 PLACES ±	2023-03-21		
		2 PLACES ±	2023-03-21		
		1 PLACE ±	2023-03-21		
	0 PLACES ±	DRAFT WHERE APPLICABLE MUST REMAIN WITHIN DIMENSIONS			
	THIRD ANGLE PROJECTION	DRAWING	SERIES		
		A1-SIZE	160077		
		DOCUMENT NUMBER	DOC TYPE	DOC PART	REVISION
		1600770001	PSD	000	A5
		MATERIAL NUMBER	CUSTOMER	SHEET NUMBER	
			GENERAL MARKET	4 OF 7	

molex

MX150 HYBRID BLADE DUAL ROW SEALED ASSY
DUAL ROW SEALED ASSEMBLY MAT SEAL

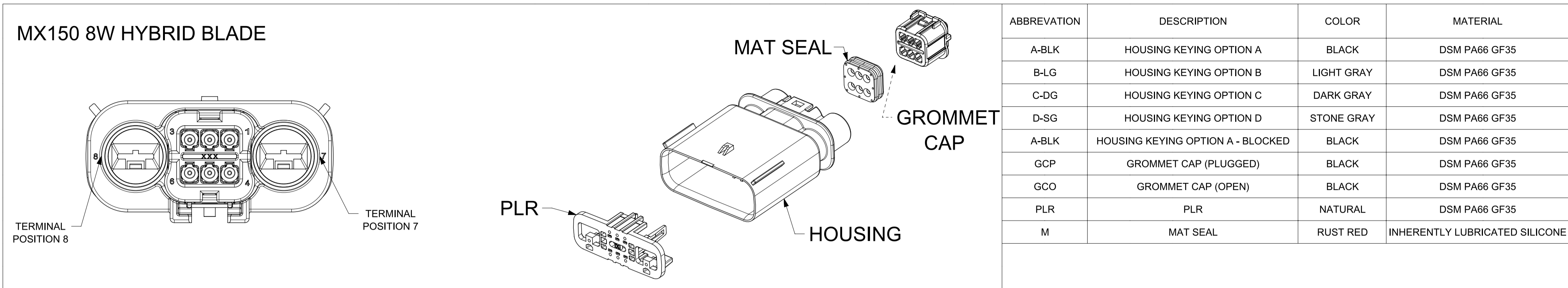
PRODUCT SALES DRAWING

DOCUMENT NUMBER DOC TYPE DOC PART REVISION

1600770001 PSD 000 A5

MATERIAL NUMBER CUSTOMER SHEET NUMBER

GENERAL MARKET 4 OF 7



ABBREVIATION	DESCRIPTION	COLOR	MATERIAL
A-BLK	HOUSING KEYING OPTION A	BLACK	DSM PA66 GF35
B-LG	HOUSING KEYING OPTION B	LIGHT GRAY	DSM PA66 GF35
C-DG	HOUSING KEYING OPTION C	DARK GRAY	DSM PA66 GF35
D-SG	HOUSING KEYING OPTION D	STONE GRAY	DSM PA66 GF35
A-BLK	HOUSING KEYING OPTION A - BLOCKED	BLACK	DSM PA66 GF35
GCP	GROMMET CAP (PLUGGED)	BLACK	DSM PA66 GF35
GCO	GROMMET CAP (OPEN)	BLACK	DSM PA66 GF35
PLR	PLR	NATURAL	DSM PA66 GF35
M	MAT SEAL	RUST RED	INHERENTLY LUBRICATED SILICONE

ASSEMBLY DESCRIPTION	ASSEMBLY PART NUMBER	COMPONENT				BLOCKED TERMINALS								STATUS	COMMENTS	OPTIONAL ATTACHMENTS SOLD SEPERATELY		
		THE PRESENCE OF AN ABBREVIATION INDICATES THE PRESENCE OF THAT COMPONENT.				CAVITY WITH A NUMBER INDICATES BLOCKED TERMINAL POSITION CAVITY WITHOUT A NUMBER INDICATES OPEN TERMINAL POSITION										BACKSHELL WITH RIBS	BACKSHELL WITHOUT RIBS	
		HOUSING KEY/COLOR	GROMMET CAP	PLR	MAT SEAL	1	2	3	4	5	6	7	8					
KEY A, BLACK	160079-3001	A-BLK	GCP	PLR	M													
KEY B, LIGHT GRAY	160079-3002	B-LG	GCP	PLR	M													
KEY C, DARK GRAY	160079-3003	C-DG	GCP	PLR	M													
KEY D, STONE GRAY	160079-3004	D-SG	GCP	PLR	M													
KEY A BLOCKED, BLACK	160079-3005	A-BLK	GCP	PLR	M									7				

FUNCTIONAL SYMBOLS FA = 0 FC = 0 FP = 0 DIVISIONAL SYMBOLS	THIS DRAWING CONTAINS INFORMATION THAT IS PROPRIETARY TO MOLEX ELECTRONIC TECHNOLOGIES, LLC AND SHOULD NOT BE USED WITHOUT WRITTEN PERMISSION DIMENSION UNITS: mm SCALE: 1:1 GENERAL TOLERANCES (UNLESS SPECIFIED) ANGULAR TOL ± 0.5° 4 PLACES ± 3 PLACES ± 2 PLACES ± 1 PLACE ± 0 PLACES ±	CURRENT REV DESC: Changed the document restriction to General Market. STATUS: Production DRWN: Mahesh KP CHK'D: Ryan Dunn APPR: Ryan Dunn 2023-03-21 2023-03-21 2023-03-21		
	PRODUCT SALES DRAWING			
	DRAFT WHERE APPLICABLE MUST REMAIN WITHIN DIMENSIONS	THIRD ANGLE PROJECTION	DRAWING: A1-SIZE SERIES: 160077	DOCUMENT NUMBER: 1600770001 DOC TYPE: PSD DOC PART: 000 REVISION: A5
	MATERIAL NUMBER: CUSTOMER: GENERAL MARKET SHEET NUMBER: 5 OF 7			

MX150 9W HYBRID BLADE		COMONENT											BLOCKED TERMINALS		STATUS	COMMENTS	OPTIONAL ATTACHMENTS SOLD SEPERATELY	
ASSEMBLY DESCRIPTION	ASSEMBLY PART NUMBER	THE PRESENCE OF AN ABBREVIATION INDICATES THE PRESENCE OF THAT COMPONENT.				CAVITY WITH A NUMBER INDICATES BLOCKED TERMINAL POSITION CAVITY WITHOUT A NUMBER INDICATES OPEN TERMINAL POSITION							BACKSHELL WITH RIBS	BACKSHELL WITHOUT RIBS				
		HOUSING KEY/COLOR	GROMMET CAP	PLR	MAT SEAL	1	2	3	4	5	6	7	8	9				
KEY A, BLACK	160081-3001	A-BLK	GCP	PLR	M										SALEABLE		TBD	TBD
KEY B, LIGHT GRAY	160081-3002	B-LG	GCP	PLR	M										SALEABLE		TBD	TBD
KEY C, DARK GRAY	160081-3003	C-DG	GCP	PLR	M										SALEABLE		TBD	TBD
KEY D, STONE GRAY	160081-3004	D-SG	GCP	PLR	M										SALEABLE		TBD	TBD
KEY A BLOCKED, BLACK	160081-3005	A-BLK	GCP	PLR	M									9	SALEABLE		TBD	TBD

ABBREVIATION	DESCRIPTION	COLOR	MATERIAL
A-BLK	HOUSING KEYING OPTION A	BLACK	DSM PA66 GF35
B-LG	HOUSING KEYING OPTION B	LIGHT GRAY	DSM PA66 GF35
C-DG	HOUSING KEYING OPTION C	DARK GRAY	DSM PA66 GF35
D-SG	HOUSING KEYING OPTION D	STONE GRAY	DSM PA66 GF35
A-BLK	HOUSING KEYING OPTION A - BLOCKED	BLACK	DSM PA66 GF35
GCP	GROMMET CAP (PLUGGED)	BLACK	DSM PA66 GF35
GCO	GROMMET CAP (OPEN)	BLACK	DSM PA66 GF35
PLR	PLR	NATURAL	DSM PA66 GF35
M	MAT SEAL	RUST RED	INHERENTLY LUBRICATED SILICONE

FUNCTIONAL SYMBOLS FA = 0 FC = 0 FP = 0 DIVISIONAL SYMBOLS	THIS DRAWING CONTAINS INFORMATION THAT IS PROPRIETARY TO MOLEX ELECTRONIC TECHNOLOGIES, LLC AND SHOULD NOT BE USED WITHOUT WRITTEN PERMISSION DIMENSION UNITS: mm SCALE: 1:1 CURRENT REV DESC: Changed the document restriction to General Market.			
	GENERAL TOLERANCES (UNLESS SPECIFIED) ANGULAR TOL ± 0.5° 4 PLACES ± 3 PLACES ± 2 PLACES ± 1 PLACE ± 0 PLACES ±			
	DRAFT WHERE APPLICABLE MUST REMAIN WITHIN DIMENSIONS 	STATUS: Production DRWN: Mahesh KP CHK'D: Ryan Dunn APPR: Ryan Dunn	2023-03-21 2023-03-21 2023-03-21	DOCUMENT NUMBER: 1600770001 DOC TYPE: PSD DOC PART: 000 REVISION: A5
	THIRD ANGLE PROJECTION	DRAWING: A1-SIZE SERIES: 160077	MATERIAL NUMBER:	CUSTOMER: GENERAL MARKET SHEET NUMBER: 6 OF 7

MX150 10W HYBRID BLADE		ABBREVIATION		DESCRIPTION		COLOR		MATERIAL													
		A-BLK	HOUSING KEYING OPTION A	BLACK	DSM PA66 GF35																
		B-LG	HOUSING KEYING OPTION B	LIGHT GRAY	DSM PA66 GF35																
		C-DG	HOUSING KEYING OPTION C	DARK GRAY	DSM PA66 GF35																
		D-SG	HOUSING KEYING OPTION D	STONE GRAY	DSM PA66 GF35																
		A-BLK	HOUSING KEYING OPTION A - BLOCKED	BLACK	DSM PA66 GF35																
		GCP	GROMMET CAP (PLUGGED)	BLACK	DSM PA66 GF35																
		GCO	GROMMET CAP (OPEN)	BLACK	DSM PA66 GF35																
		PLR	PLR	NATURAL	DSM PA66 GF35																
		M	MAT SEAL	RUST RED	INHERENTLY LUBRICATED SILICONE																
ASSEMBLY DESCRIPTION	ASSEMBLY PART NUMBER	COMPONENT				BLOCKED TERMINALS										STATUS	COMMENTS	OPTIONAL ATTACHMENTS SOLD SEPERATELY			
		THE PRESENCE OF AN ABBREVIATION INDICATES THE PRESENCE OF THAT COMPONENT.				CAVITY WITH A NUMBER INDICATES BLOCKED TERMINAL POSITION CAVITY WITHOUT A NUMBER INDICATES OPEN TERMINAL POSITION												BACKSHELL WITH RIBS	BACKSHELL WITHOUT RIBS		
		HOUSING KEY/COLOR	GROMMET CAP	PLR	MAT SEAL	1	2	3	4	5	6	7	8	9	10						
KEY A, BLACK	160077-5001	A-BLK	GCP	PLR	M														SALEABLE	TBD	TBD
KEY B, LIGHT GRAY	160077-5002	B-LG	GCP	PLR	M														SALEABLE	TBD	TBD
KEY C, DARK GRAY	160077-5003	C-DG	GCP	PLR	M														SALEABLE	TBD	TBD
KEY D, STONE GRAY	160077-5004	D-SG	GCP	PLR	M														SALEABLE	TBD	TBD
KEY A BLOCKED, BLACK	160077-5005	A-BLK	GCP	PLR	M							7							SALEABLE	TBD	TBD
KEY A BLOCKED, BLACK	160077-5006	A-BLK	GCP	PLR	M									9	10				SALEABLE	TBD	TBD
KEY A BLOCKED, BLACK	160077-5007	A-BLK	GCP	PLR	M							7	8	9					SALEABLE	TBD	TBD
KEY A BLOCKED, BLACK	160077-5008	A-BLK	GCP	PLR	M							7	8		10				SALEABLE	TBD	TBD
KEY A, BLACK	160077-5009	A-BLK	GCP	PLR	M	1		3		5									SALEABLE	TBD	TBD
KEY A, BLACK	160077-5010	A-BLK	GCP	PLR	M		2		4		6								SALEABLE	TBD	TBD

FUNCTIONAL SYMBOLS FA = 0 FC = 0 FP = 0 DIVISIONAL SYMBOLS	THIS DRAWING CONTAINS INFORMATION THAT IS PROPRIETARY TO MOLEX ELECTRONIC TECHNOLOGIES, LLC AND SHOULD NOT BE USED WITHOUT WRITTEN PERMISSION		CURRENT REV DESC: Changed the document restriction to General Market.		 MX150 HYBRID BLADE DUAL ROW SEALED ASSY DUAL ROW SEALED ASSEMBLY MAT SEAL PRODUCT SALES DRAWING	
	DIMENSION UNITS	SCALE	GENERAL TOLERANCES (UNLESS SPECIFIED)			
	mm	1:1	ANGULAR TOL ± 0.5°			
	DRAFT WHERE APPLICABLE MUST REMAIN WITHIN DIMENSIONS		THIRD ANGLE PROJECTION			
STATUS: Production		DRWN: Mahesh KP		2023-03-21		
CHK'D: Ryan Dunn		APPR: Ryan Dunn		2023-03-21		
DRAWING		SERIES		DOCUMENT NUMBER		
A1-SIZE		160077		1600770001		
CUSTOMER		SHEET NUMBER		DOC TYPE DOC PART REVISION		
GENERAL MARKET		7 OF 7		PSD 000 A5		