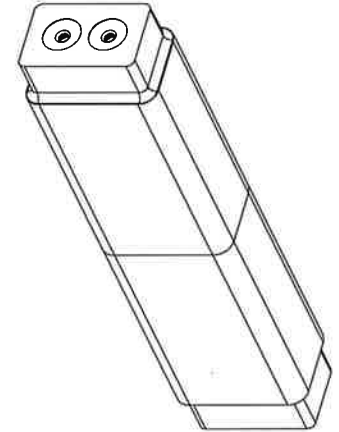
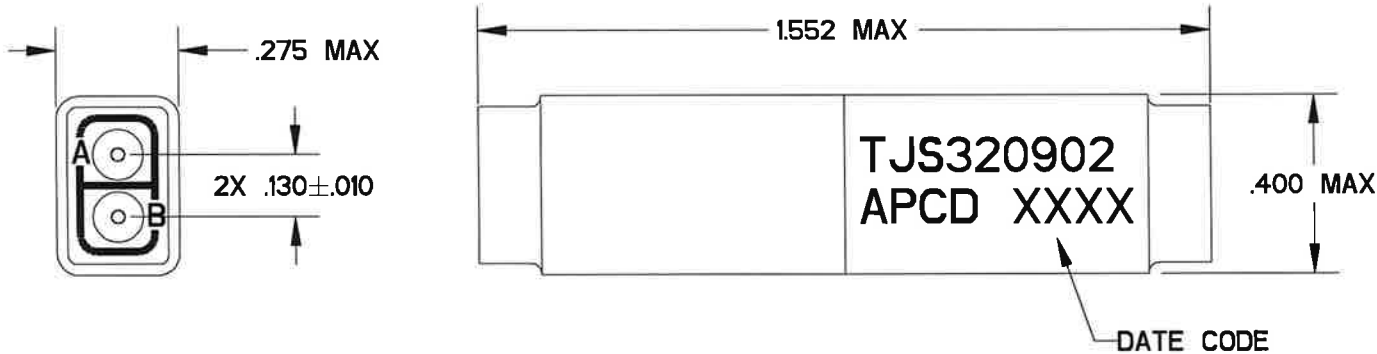


REV	ECN	APP'D
-	9484	MD 8/9/21
A	9768	MD Dec 2022



NOTES:

- MATERIALS:**
 GROMMET - SILICONE RUBBER, COLOR: BLUE
 INSULATOR - THERMOPLASTIC
 INTERNAL CONTACT - COPPER ALLOY
 CONTACT RETAINER CLIPS - STAINLESS STEEL ALLOY
- MODULE ACCEPTS M39029/1-101 PIN CONTACTS, SEE TABLE I.

TABLE I - ORDERING OPTIONS		
PART NO.	DESCRIPTION	P/N MARKING
TJS320802	CONTACTS NOT SUPPLIED	TJS320902
TJS320902	(4) M39029/1-101	

DIMENSIONS ANSI Y14.5M UNITS: INCHES Pro/E FILE	TOLERANCES .XX ±0.01 .XXX ±0.001 ANGLES ±0.5°	PROJECTION 	Amphenol Pcd CUSTOMER DRAWING		TITLE TERMINAL JUNCTION SPLICE DOUBLE UNBUSSED, SIZE 20 COMMERCIAL
			ENGR ERIC WRIGHT 8/5/2021		
ORIGINAL	THIS DOCUMENT CONTAINS PROPRIETARY INFORMATION WHICH IS THE CONFIDENTIAL PROPERTY OF AMPHENOL PCD BEVERLY, MA, USA	CHKD 12/1/22 APPD 1 Dec 2022	SIZE A	CUSTOMER DWG NO. TJS320802	REV A
			CODE: 58982	SCALE: 5:2	SHEET 1 OF 1