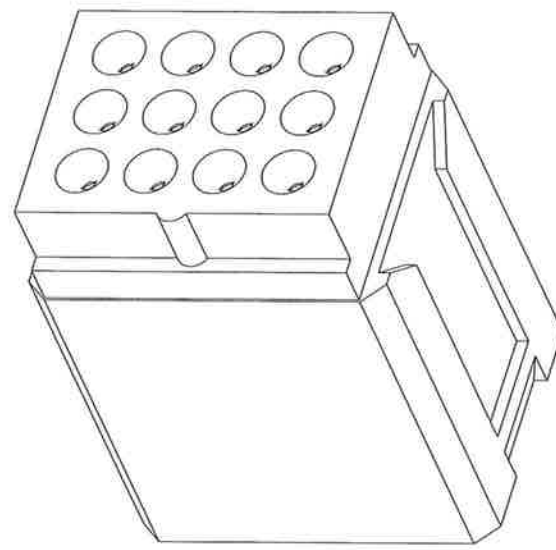
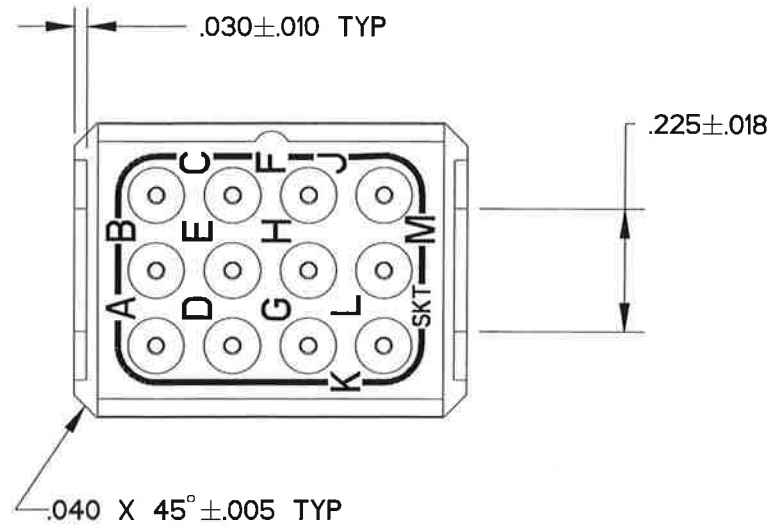
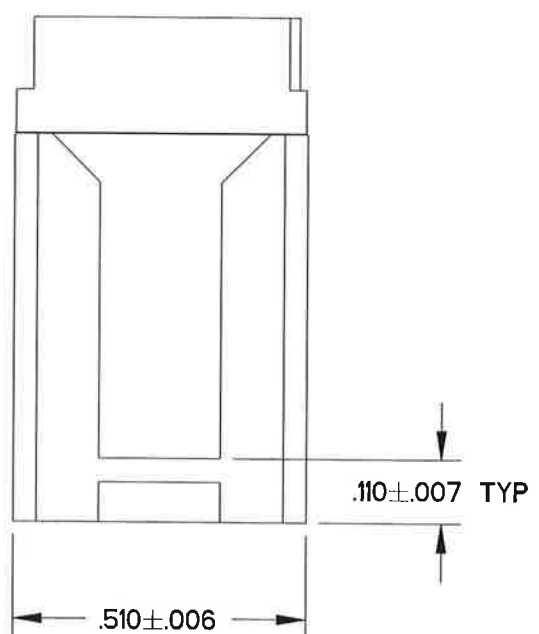
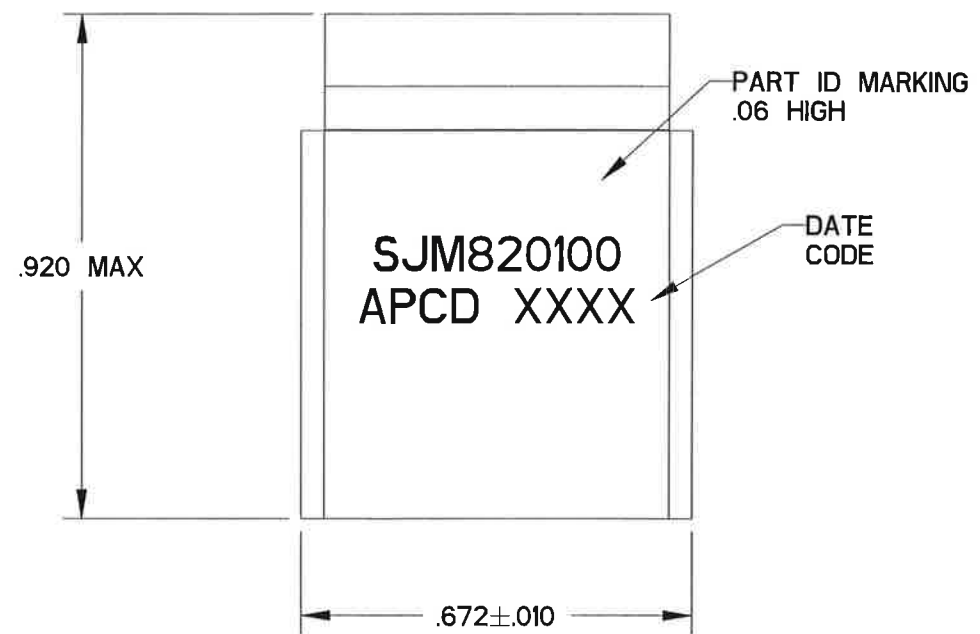


REV	ECN	APP'D
-	9448	MD 10 Aug 2021



MASTER COPY



- NOTES:
- MATERIALS:
 BODY: POLYETHERIMIDE PER ASTM-D5205
 GROMMET: SILICONE BLEND ELASTOMER.
 CONTACT RETAINERS: STAINLESS STEEL.
 INTERNAL PIN CONTACTS: COPPER ALLOY, HARD GOLD PLATE PER MIL-DTL-45204.
 - PERFORMANCE SPECIFICATIONS:
 OPERATING TEMP: -65° TO 200°C
 INSULATION RESISTANCE: 5000 MEGOHMS IN @ 25°C
 DIELECTRIC WITHSTANDING VOLTAGE: 1500 VRMS AT SEA LEVEL AND 200 VRMS AT 110,000 FT. ALTITUDE
 CURRENT RATING: 7.5 AMPS.
 VIBRATION AND SHOCK: PER AS81714, PARAGRAPH 3.5.5 AND 3.5.8.
 - MODULE ACCEPTS M39029/22-192 CONTACT AND MS27488-20 SEALING PLUG. (SEE TABLE)

APCD P/N	SUPPLIED	
	SKTS	PLUGS
SJM820100	13	2
SJM820101	-	-

DIMENSIONS ANSI Y14.5M UNITS: INCHES Pro/E FILE	TOLERANCES .XX ±0.01 .XXX ±0.005 ANGLES ±1.0°	PROJECTION 	Amphenol Pcd CUSTOMER DRAWING		TITLE SOCKET JUNCTION MODULE SIZE 20, ONE-BUS		
			ENGR W. LAWSON 07/12/21	SIZE B		CUSTOMER DWG NO. SJM820100	REV -
ORIGINAL	THIS DOCUMENT CONTAINS PROPRIETARY INFORMATION WHICH IS THE CONFIDENTIAL PROPERTY OF AMPHENOL PCD INC., BEVERLY, MA		CHKD 8/9/21	APPD 10 Aug 2021	CODE: 58982	SCALE: 3:1	SHEET 1 OF 1

SJM820100

SJM820100