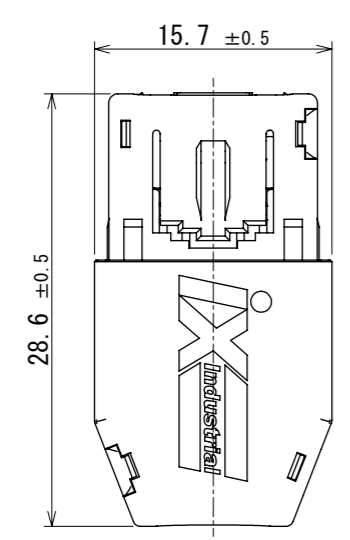
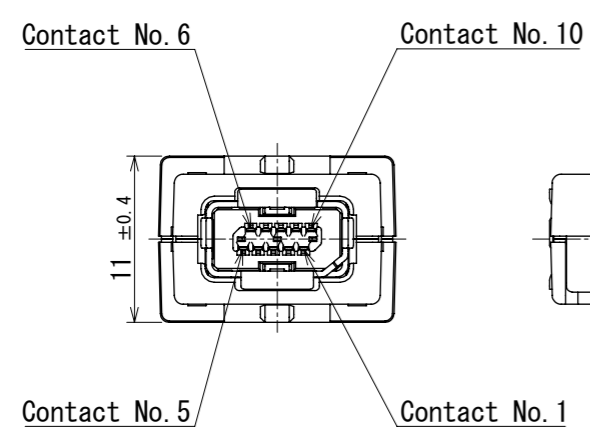
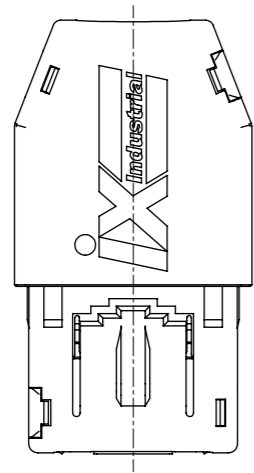
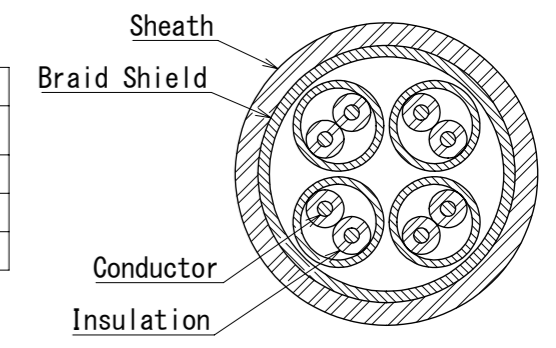


Aug.1.2023 Copyright 2023 HIROSE ELECTRIC CO., LTD. All Rights Reserved.
In case of consideration for using Automotive equipment / device which demand high reliability, kindly contact our sales window correspondents.



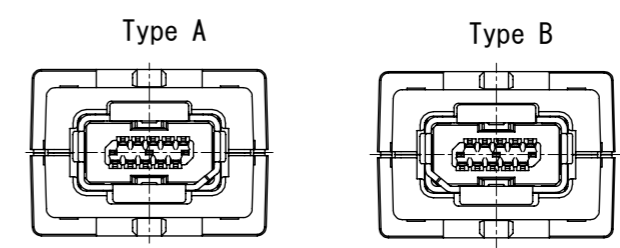
Notes. 1. Recommended cable condition is shown below.
A list of compatible cables is available on the Hirose website.
When using a non-recommended cable, please contact a Hirose sales representative.
Refer to the technical specification(ETAD-E3234-00) for wiring and assembly procedures.

Recommended Cable	
Items	Recommended Condition
Conductor size	AWG # 28-22
Insulation O.D.	Φ1.55mm Max.
Braid Shield	Tin plating
Sheath O.D.	Φ6.3-7.2mm



2 This product(Type A) is defined for 10/100 Mbit/s and 1/10Gbit/s Ethernet communication. Please use Type B for all other non Ethernet applications like signaling, serial or other industrial bus communication systems.

Mating Key



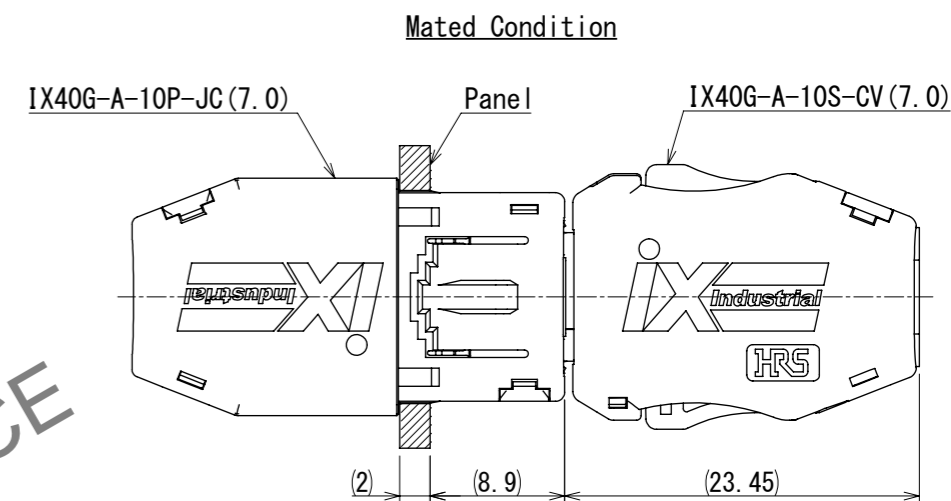
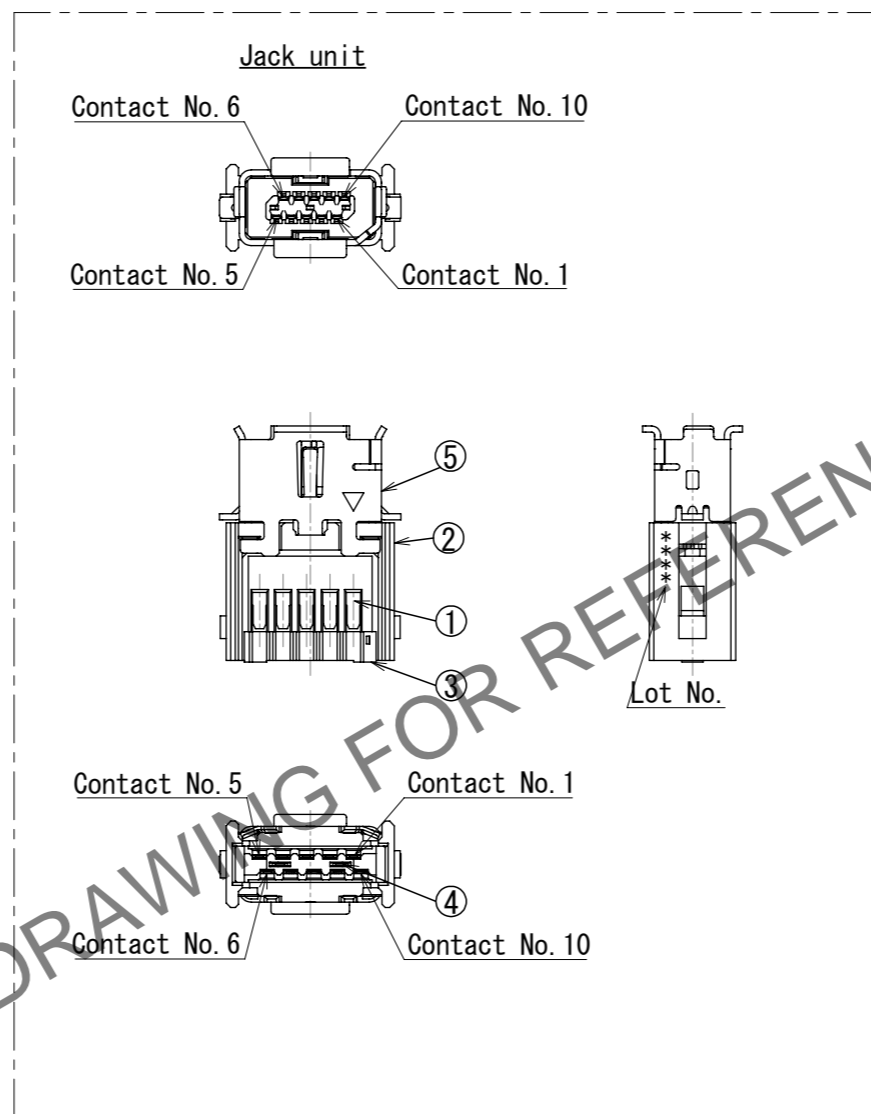
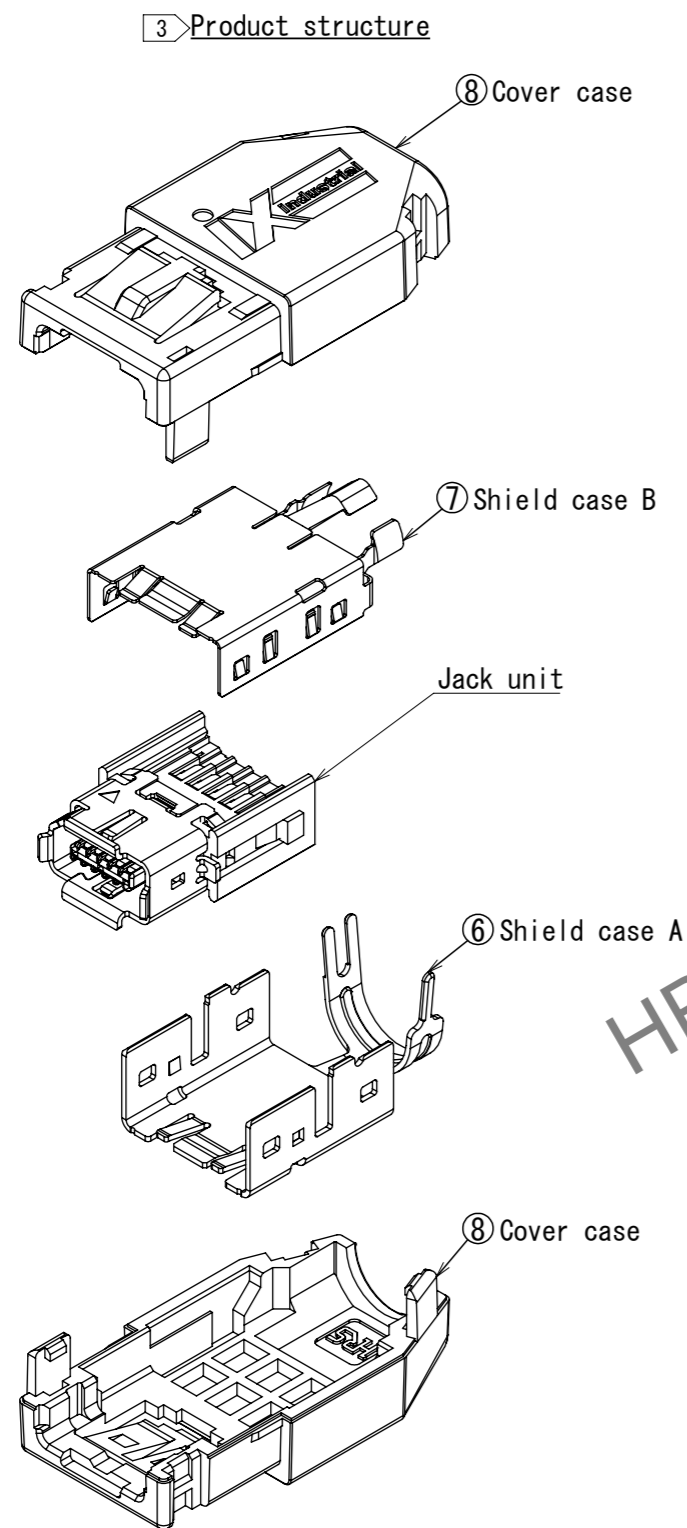
3 3 Excluding the jack unit, this product is packed separately by the types of parts.

3 2 Pin Assignment for 10/100 Mbit/s and 1/10 Gbit/s Ethernet

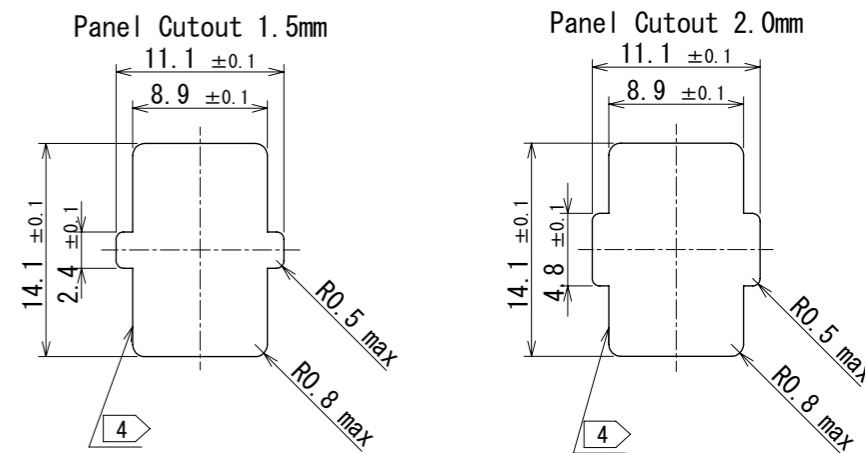
Contact No.	Signal	
	10/100Mbit/s	1/10Gbit/s
1	TX+	BI_DA+
2	TX-	BI_DA-
3	N.C	GND
4	N.C	BI_DC+
5	N.C	BI_DC-
6	RX+	BI_DB+
7	RX-	BI_DB-
8	N.C	GND
9	N.C	BI_DD+
10	N.C	BI_DD-

3	PA	Black, UL94V-0	8	PC	Dark gray, UL94V-0			
2	PA	Black, UL94V-0	7	Stainless Steel	Nickel 1μm min			
1	Copper Alloy	Contact area : Gold 0.2μm min	6	Stainless Steel	Nickel 1μm min			
		Wiring area : Gold 0.03μm min	5	Stainless Steel	Nickel 0.2μm min			
		Under plating : Nickel 2μm min	4	Stainless Steel				
NO.	MATERIAL	FINISH	REMARKS	NO.	MATERIAL	FINISH	REMARKS	
UNITS		SCALE	COUNT	DESCRIPTION OF REVISIONS		DESIGNED	CHECKED	DATE
mm		2:1	2	DIS-E-00011741		SN. TOYOSHIMA	KI. KAGOTANI	2022. 11. 23
HRS HIROSE ELECTRIC CO., LTD.		APPROVED : MN. KENJO	2021. 08. 17	DRAWING NO.		EDC-395607-00-00		
		CHECKED : KI. KAGOTANI	2021. 08. 17	PART NO.		IX40G-A-10P-JC (7. 0)		
		DESIGNED : TS. ITO	2021. 08. 12	CODE NO.		CL0251-0109-0-00		
		DRAWN : TS. ITO	2021. 08. 12					

Aug.1.2023 Copyright 2023 HIROSE ELECTRIC CO., LTD. All Rights Reserved.
 In case of consideration for using Automotive equipment / device which demand high reliability, kindly contact our sales window correspondents.



Reference Dimentions of Panel Cutout



4 To prevent shaving, please add a chamfer of 0.1 on the periphery as shown in the above figure with the bold line.
 The number of insertions to the panel is up to 10 times.

HRS	DRAWING NO.	EDC-395607-00-00	2/2
	PART NO.	IX40G-A-10P-JC (7.0)	
	CODE NO.	CL0251-0109-0-00	
	NO.		