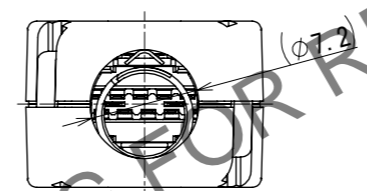
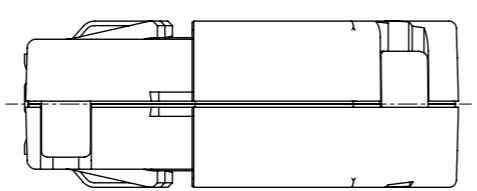
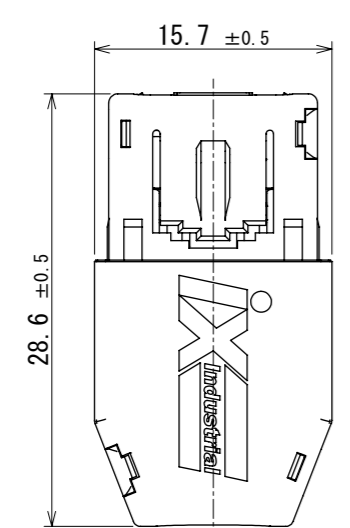
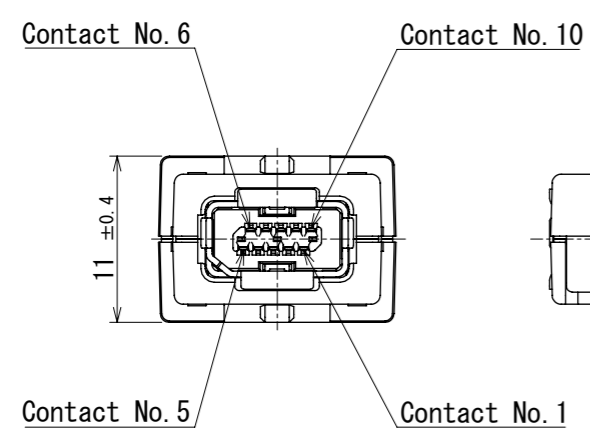
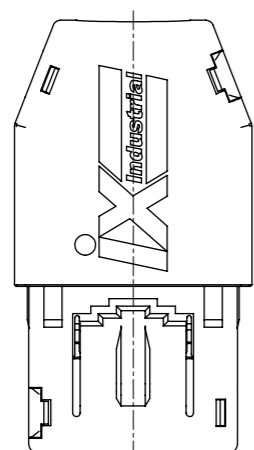
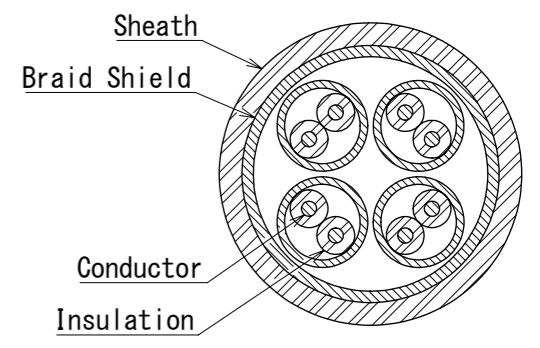


Jul.1.2023 Copyright 2023 HIROSE ELECTRIC CO., LTD. All Rights Reserved.  
 In case of consideration for using Automotive equipment / device which demand high reliability, kindly contact our sales window correspondents.



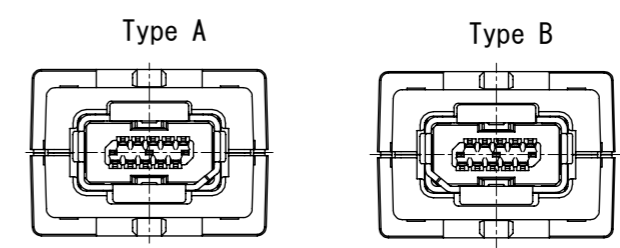
Notes. 1. Recommended cable condition is shown below.  
 A list of compatible cables is available on the Hirose website.  
 When using a non-recommended cable, please contact a Hirose sales representative.  
 Refer to the technical specification(ETAD-E3234-00) for wiring and assembly procedures.

Recommended Cable	
Items	Recommended Condition
Conductor size	AWG # 28-22
Insulation O.D.	Φ1.55mm Max.
Braid Shield	Tin plating
Sheath O.D.	Φ6.3-7.2mm



2. This product(Type B) is used for non Ethernet applications like signaling, serial or other industrial bus communication sysetems.  
 Please use Type A for 10/100Mbit/s and 1/10Gbit/s Ethernet communication.

Mating Key



△ 3 Excluding the jack unit, this product is packed separately by the types of parts.

NO.	MATERIAL	FINISH	REMARKS	NO.	MATERIAL	FINISH	REMARKS
3	PA	Black, UL94V-0		8	PC		Dark gray, UL94V-0
2	PA	Black, UL94V-0		7	Stainless Steel		Nickel 1μm min
1	Copper Alloy	Contact area : Gold 0.2μm min Wiring area : Gold 0.03μm min Under plating : Nickel 2μm min		5	Stainless Steel		Nickel 0.2μm min
				4	Stainless Steel		

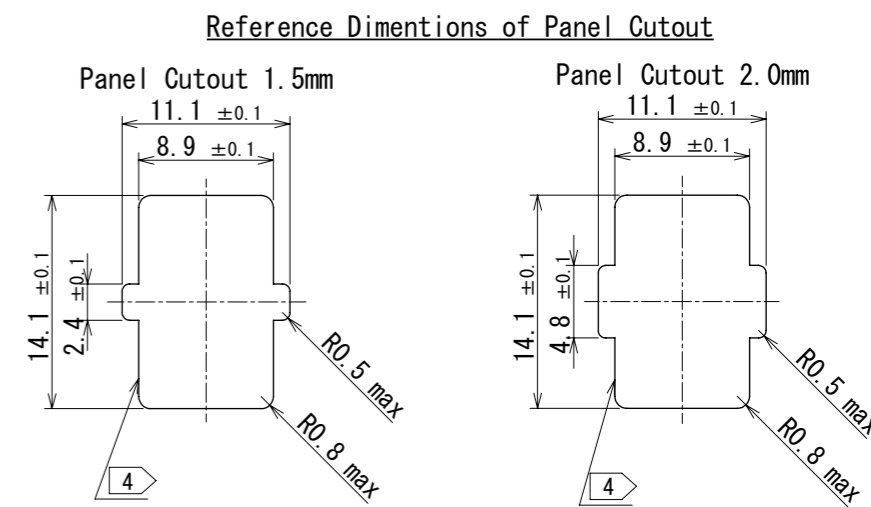
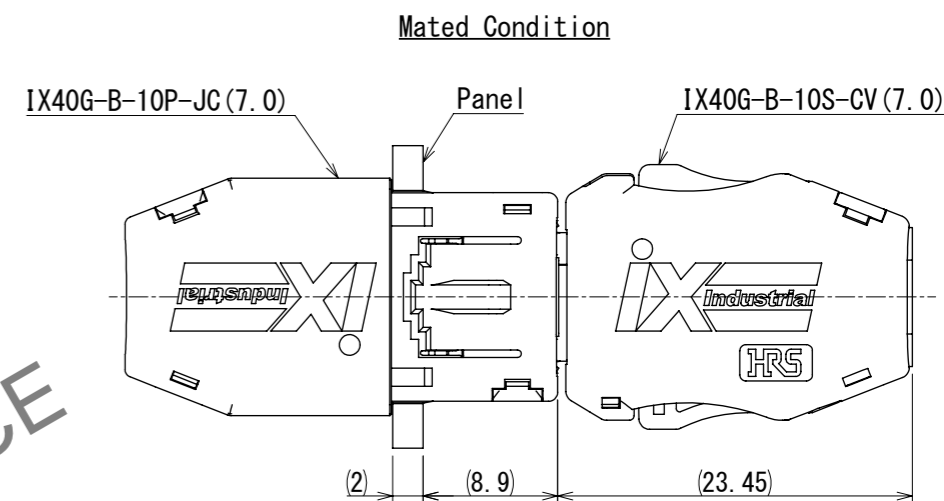
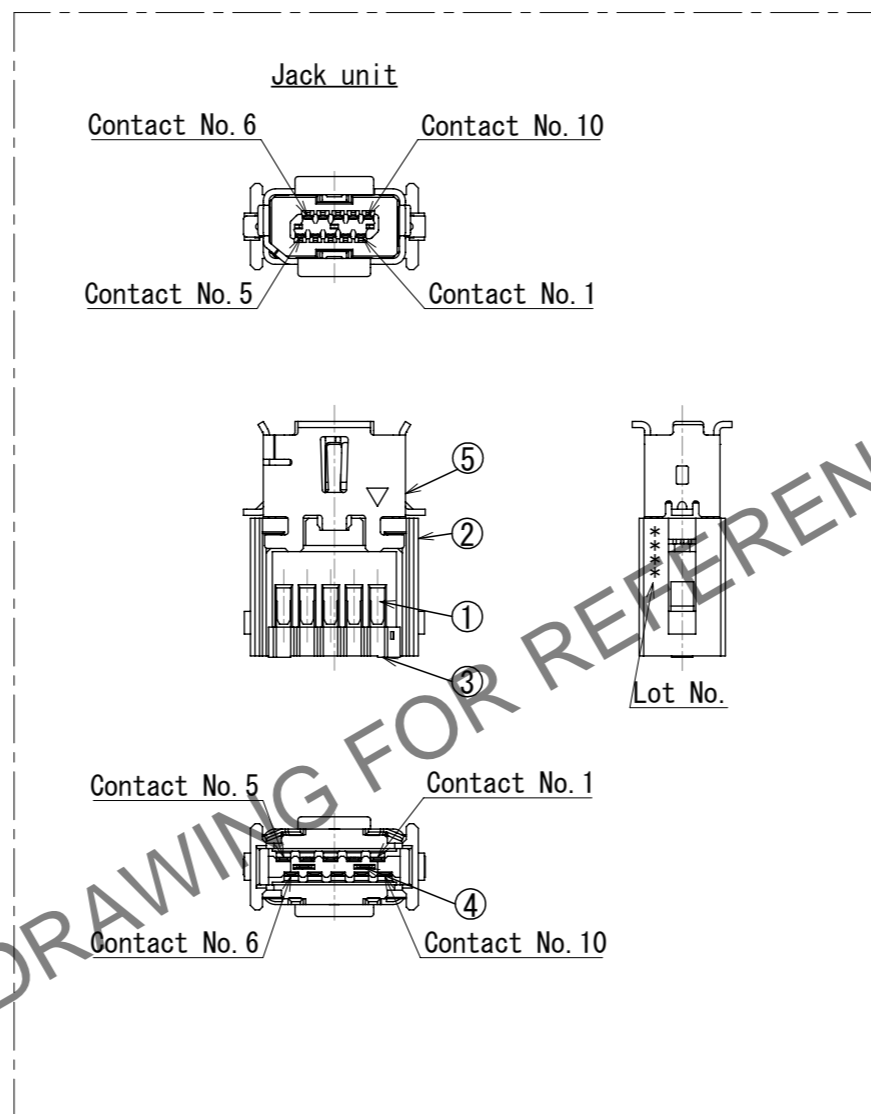
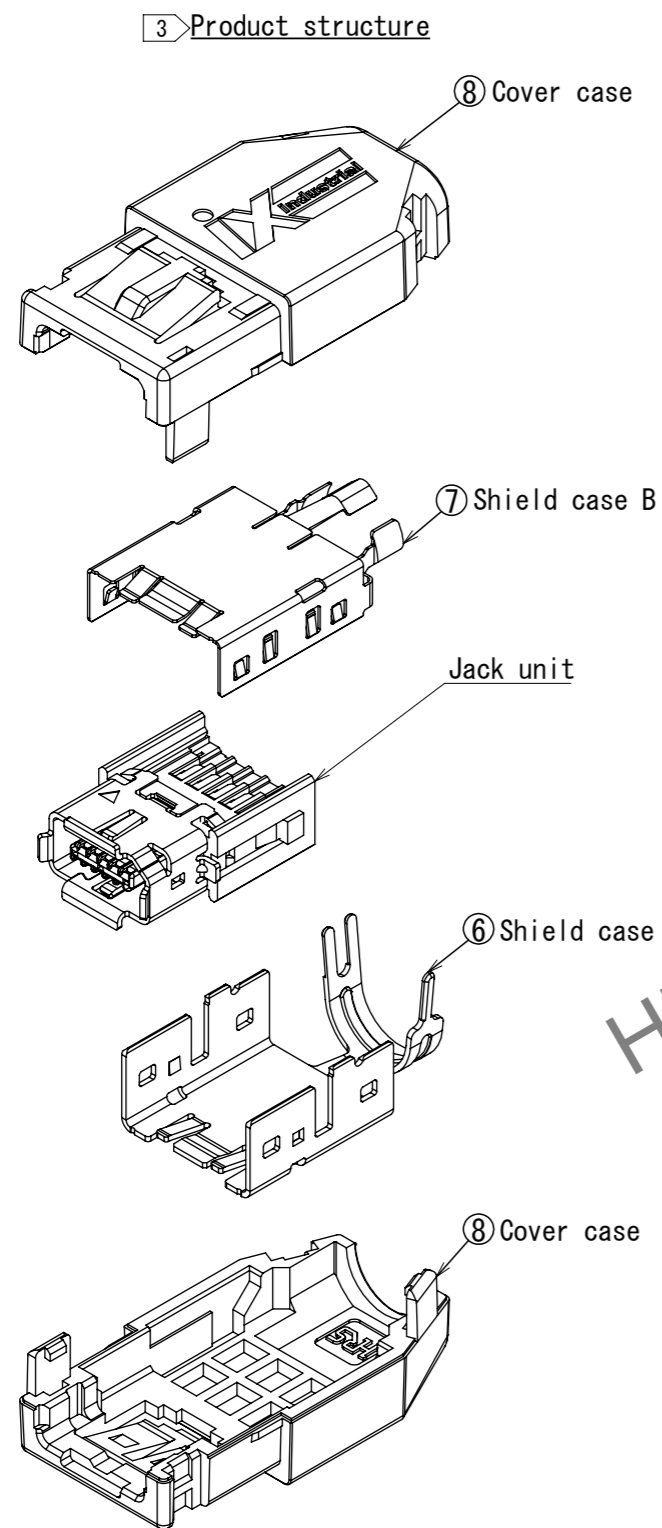
  

UNITS	SCALE	COUNT	DESCRIPTION OF REVISIONS	DESIGNED	CHECKED	DATE
mm	2:1	1	DIS-E-00011741	SN. TOYOSHIMA	KI. KAGOTANI	2022. 11. 22

<b>HRS</b> HIROSE ELECTRIC CO., LTD.	APPROVED : MN. KENJO	2021. 08. 17	DRAWING NO.	EDC-395800-00-00
	CHECKED : KI. KAGOTANI	2021. 08. 17	PART NO.	IX40G-B-10P-JC (7. 0)
	DESIGNED : TS. ITO	2021. 08. 12	CODE NO.	CL0251-0111-0-00
	DRAWN : TS. ITO	2021. 08. 12		

Jul.1.2023 Copyright 2023 HIROSE ELECTRIC CO., LTD. All Rights Reserved.  
 In case of consideration for using Automotive equipment / device which demand high reliability, kindly contact our sales window correspondents.



4 To prevent shaving, please add a chamfer of 0.1 on the periphery as shown in the above figure with the bold line.  
 The number of insertions to the panel is up to 10 times.