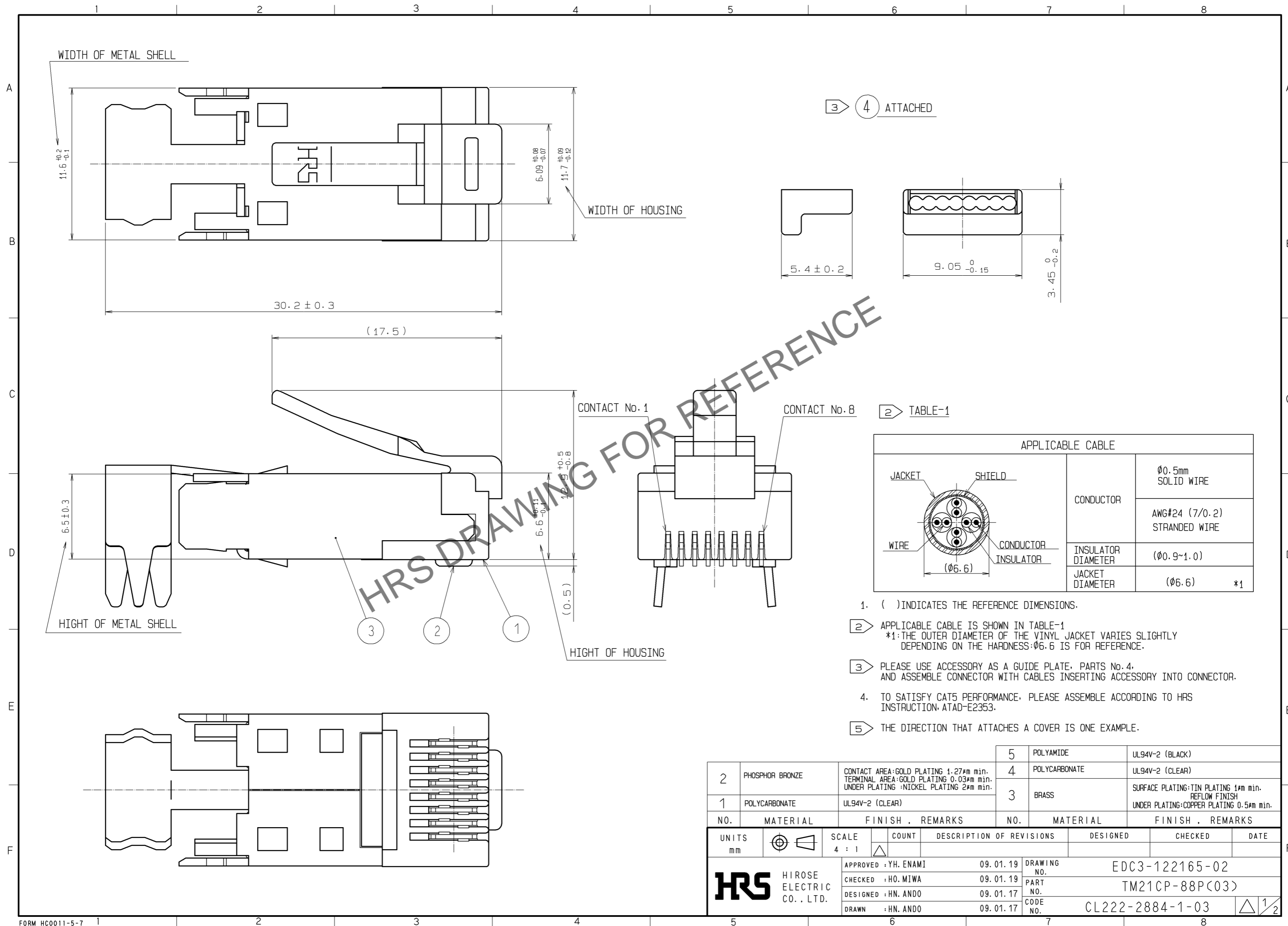


Aug.1.2023 Copyright 2023 HIROSE ELECTRIC CO., LTD. All Rights Reserved.  
 In case of consideration for using Automotive equipment / device which demand high reliability, kindly contact our sales window correspondents.



2	PHOSPHOR BRONZE	CONTACT AREA: GOLD PLATING 1.27µm min. TERMINAL AREA: GOLD PLATING 0.03µm min. UNDER PLATING : NICKEL PLATING 2µm min.	5	POLYAMIDE	UL94V-2 (BLACK)
1	POLYCARBONATE	UL94V-2 (CLEAR)	4	POLYCARBONATE	UL94V-2 (CLEAR)
			3	BRASS	SURFACE PLATING: TIN PLATING 1µm min. REFLOW FINISH UNDER PLATING: COPPER PLATING 0.5µm min.
NO.	MATERIAL	FINISH . REMARKS	NO.	MATERIAL	FINISH . REMARKS
UNITS		SCALE	COUNT		DESCRIPTION OF REVISIONS
mm		4 : 1	△		DESIGNED
HRS		APPROVED : YH. ENAMI	09. 01. 19		DRAWING NO.
HIROSE ELECTRIC CO., LTD.		CHECKED : HO. MIWA	09. 01. 19		PART NO.
		DESIGNED : HN. ANDO	09. 01. 17		CODE NO.
		DRAWN : HN. ANDO	09. 01. 17		CL222-2884-1-03
					1/2

Aug.1.2023 Copyright 2023 HIROSE ELECTRIC CO., LTD. All Rights Reserved.  
In case of consideration for using Automotive equipment / device which demand high reliability, kindly contact our sales window correspondents.

5 ATTACHED

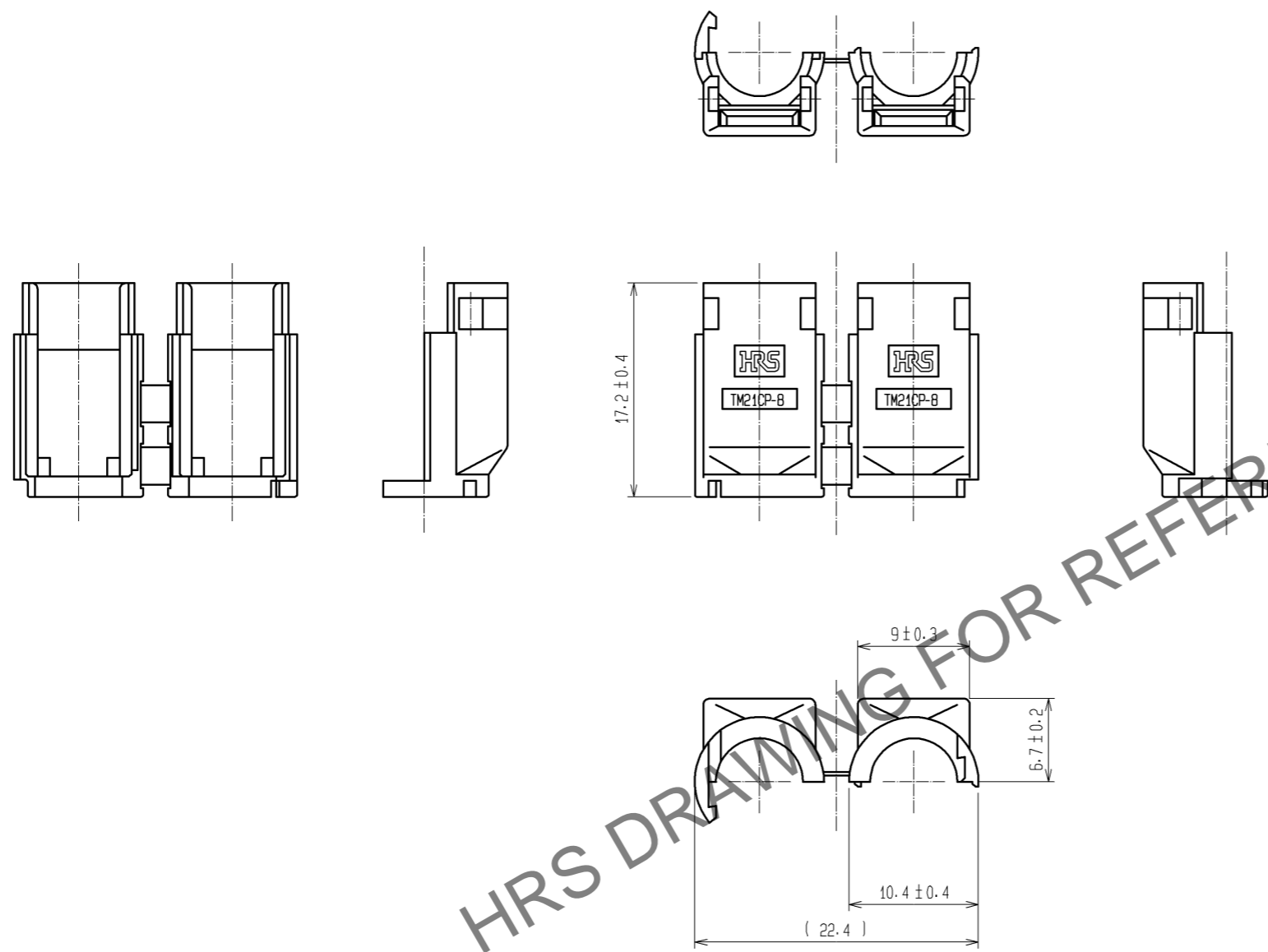
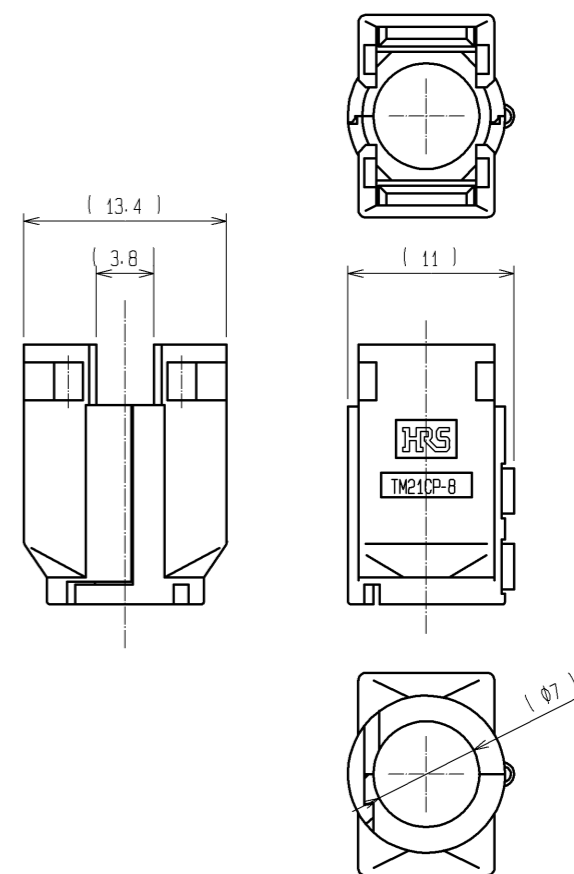
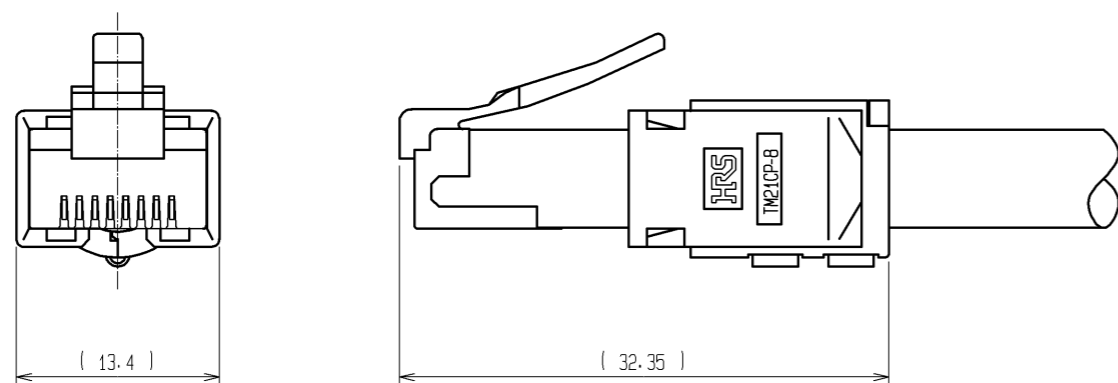


FIGURE OF MATED COVER



5 ATTACHED COVER



**HRS**

図番: EDC3-122165-02  
製品名: TM21CP-88P(03)  
製品コード: CL222-2884-1-03

△ 2/2