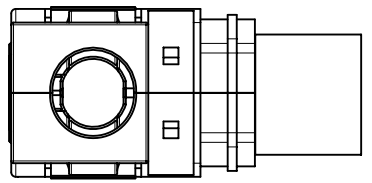
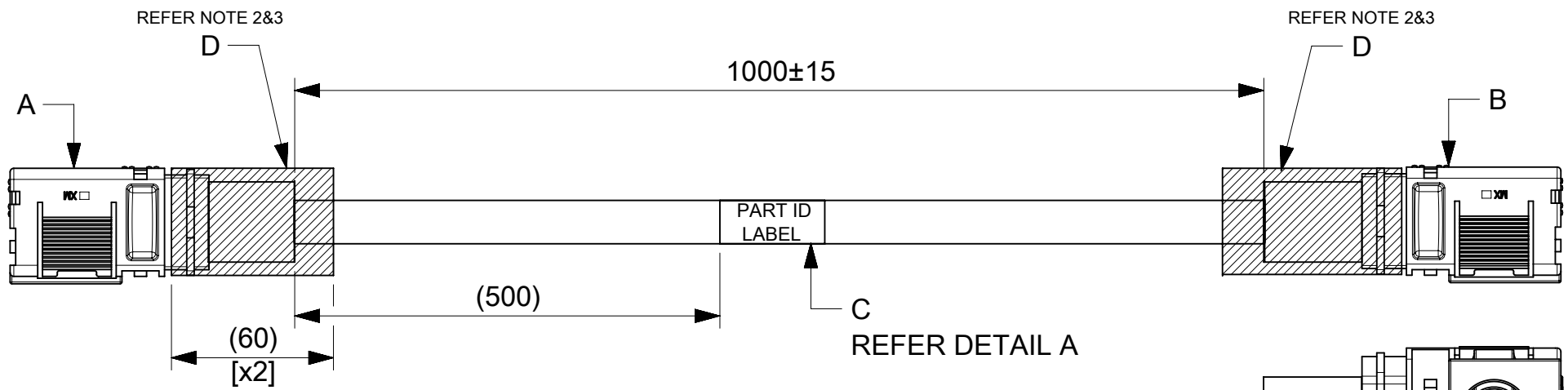


ITEM #	MOLEX PART#	DESCRIPTION	QTY	UOM
A,B	2182311001	11mm SIDEWIZE ASSY 4/0 AWG RECEPT RED	2	PC
C	-	PART ID LABEL	1	PC
D	-	HST	A/R	M

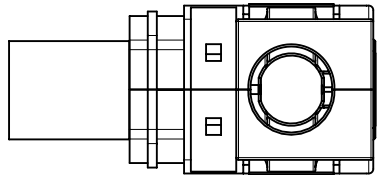
FROM	TO	CABLE PART#	DESCRIPTION	COLOR
A	B	-	1X4/0 AWG DISC PVC RD UL1015	RED



REFER NOTE 4



REFER NOTE 3



DETAIL A

2244151216  
MOLEX  
BATCH WK/YR

- NOTE:
1. CABLE ASSEMBLY TO BE ENSURED FOR CONTINUITY.
  2. INSTALL HST ON THE BARREL AS SHOWN IN DRAWING.
  3. ENSURE LATCH AND THE CRIMPING PROFILE ARE IN THE SAME PLANE.
  4. HST TO BE COVERED FROM THE WIRE INSULATION TO OVER THE RIB, TO ENSURE THERE IS NO EXPOSURE OF BARE MATERIAL.

FUNCTIONAL SYMBOLS $\nabla_A = 0$ $\nabla_E = 0$ $\nabla_P = 0$	THIS DRAWING CONTAINS INFORMATION THAT IS PROPRIETARY TO MOLEX ELECTRONIC TECHNOLOGIES, LLC AND SHOULD NOT BE USED WITHOUT WRITTEN PERMISSION		CURRENT REV DESC:			
	DIMENSION UNITS	SCALE	EC NO: 759423			SW1 11.00MM R-R 1M 4/0AWG RD
	mm	NTS	DRWN: NAVEEB6 2023/08/10			
	GENERAL TOLERANCES (UNLESS SPECIFIED)		CHK'D: SKUMAR07 2023/08/21			PRODUCT CUSTOMER DRAWING
ANGULAR TOL ± °		APPR: SKUMAR07 2023/08/21				
DIVISIONAL SYMBOLS 4 PLACES ± 3 PLACES ± 2 PLACES ± 1 PLACE ± 0 PLACES ±	INITIAL REVISION:		DRWN: MARUTG 2023/04/26		DOCUMENT NUMBER	
	DRAFT WHERE APPLICABLE MUST REMAIN WITHIN DIMENSIONS		APPR: SKUMAR07 2023/04/27		2244151216	
	THIRD ANGLE PROJECTION		DRAWING	SERIES	MATERIAL NUMBER	CUSTOMER
			A4-SIZE	224415	2244151216	GENERAL MARKET
				DOC TYPE	DOC PART	REVISION
				PSD	000	C
				SHEET NUMBER		1 OF 1