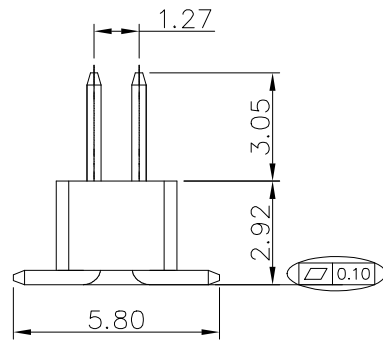
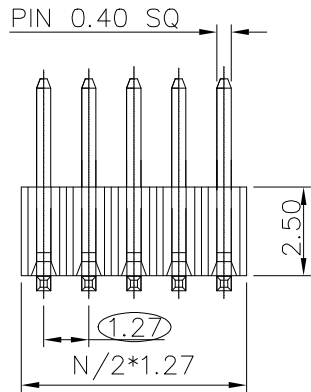


SPECIFICATIONS

1. Current Rating :1AMP
2. Operation Temperature: -40°C to +105°C
3. Contact Resistance : 20mΩ Max.
4. Insulation Resistance: 1000MΩ Min.
5. Withstanding Voltage : AC 500V
6. Insulator Material: Polyester(UL94V-0)
Standard: Nylon-9T
7. Contact Material : Brass
8. Contact plating : Au plating on contact area
50u" Sn on solder area
50u" Ni under plating
9. The dimension marked with ellipse is the critical dimension.
10. N= Pin Number



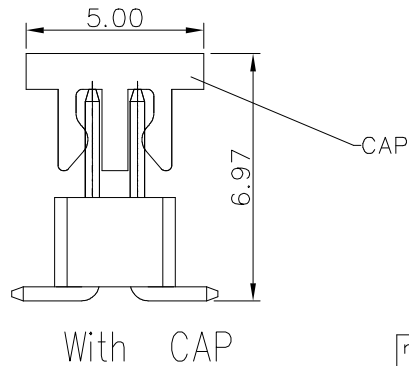
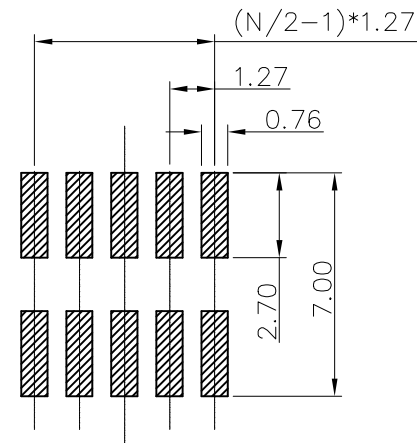
10152265-X XX X LF

CONTACT PLATING
 1. Gold Flash
 2. 30u Au
 3. 15u Au
 4. 10u Au

PIN NUMBER

LEAD FREE

PACKAGING
 1. TAPE & REEL WITH CAP



mat'l. code		surface ISO 1302 ✓		tolerance ISO 406 ISO 1101		projection		product family	
ltr		ecn no		dr		date		HPL 585	
A		-		YY		2020-09-09		title	
								Minitek 1.27 Header	
								dwg no	
								sheet 1 of 1	
								size	
								10152265	
								A3	
								type	
								Product Customer Drawing	
sheet index		revision sheet							

RECOMMENDED PCB LAYOUT