

- NOTES
- ① 材質及び仕上げ(めっき仕様) : TABLE 1, TABLE 2 参照
MATERIAL AND FINISHES (PLATING SPECIFICATION) : SEE TABLE 1 AND TABLE 2
 - ② 製品仕様書、コネクタ取扱説明書、適合嵌合相手はSHEET 5をご参照下さい。
PLEASE REFER TO SHEET 5 FOR PRODUCT SPECIFICATION, APPLICATION SPECIFICATION AND MATE WITH.
 - ③ 偶数極に適用
APPLY TO EVEN CIRCUIT
 - ④ 本製品は金めっき品である。
錫めっき品は5055750001 PSD 000をご参照下さい。
THIS IS GOLD PLATING PRODUCT.
PLEASE REFER TO 5055750001 PSD 000 FOR TIN PLATING PRODUCT.
 - ⑤ 端子テール部及びネイルの平坦度 : 0.1mm以下
TAIL AND NAIL COPLANARITY TO BE 0.1mm MAXIMUM.
 - ⑥ 発注番号 : SHEET 5参照
ORDER NUMBER : PLEASE REFER TO SHEET 5

505575****

極数
CIRCUIT SIZE

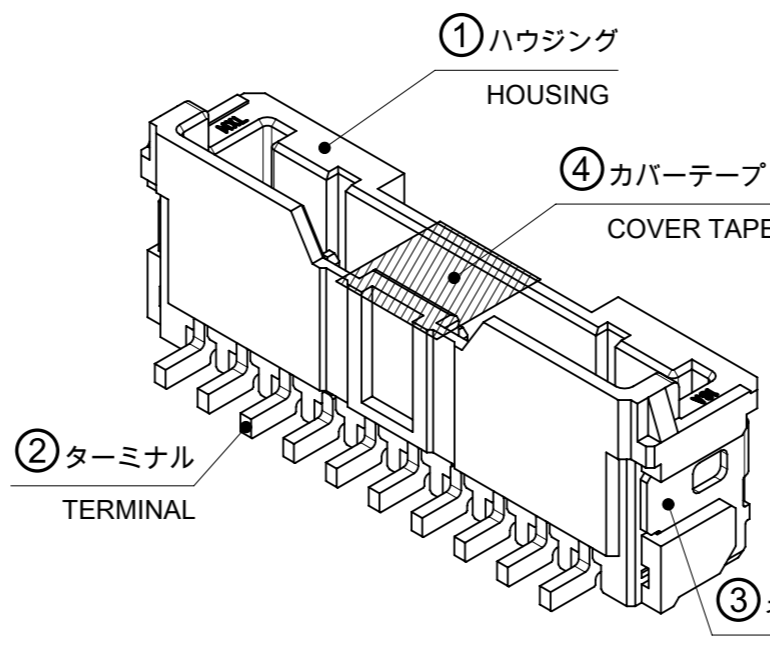
番号 NO.	ハウジングカラー HOUSING COLOR
0	ナチュラル(白) NATURAL (WHITE)
1	黒 BLACK

番号 NO.	接点部金めっき厚 CONTACT GOLD PLATING THICKNESS [MICROMETER MINIMUM]	カバーテープ COVER TAPE
9	0.1	有 WITH
3	0.38	
5	0.76	
6	0.1	無 WITHOUT
2	0.38	
4	0.76	

34.53	30	36	16
32.53	28	34	15
30.53	26	32	14
28.53	24	30	13
26.53	22	28	12
24.53	20	26	11
22.53	18	24	10
20.53	16	22	9
18.53	14	20	8
16.53	12	18	7
14.53	10	16	6
12.53	8	14	5
10.53	6	12	4
8.53	4	10	3
6.53	2	8	2
C	B	A	極数 CIRCUIT SIZE

① TABLE 1

番号 NO.	部品 PART	材質 MATERIAL
①	ハウジング HOUSING	ポリアミド (PA), ガラス充填, UL94V-0, 色 : SHEET 5 参照 POLYAMIDE (PA), GLASS FILLED, UL94V-0, COLOR : SEE SHEET 5
②	ターミナル TERMINAL	黄銅 BRASS
		金めっき (接点部) : SHEET 5 参照 GOLD PLATING (CONTACT) : SEE SHEET 5 ニッケルめっき (下地めっき) : 2.0 MICROMETER MINIMUM NICKEL PLATING (UNDERPLATING)
③	ネイル NAIL	リン青銅 PHOSPHOR BRONZE
		錫めっき : 1.0 MICROMETER MINIMUM MATTE TIN PLATING
		ニッケルめっき (下地めっき) : 1.0 MICROMETER MINIMUM NICKEL PLATING (UNDERPLATING)
④	カバーテープ COVER TAPE	ポリイミド POLYIMIDE



THIS DRAWING CONTAINS INFORMATION THAT IS PROPRIETARY TO MOLEX ELECTRONIC TECHNOLOGIES, LLC AND SHOULD NOT BE USED WITHOUT WRITTEN PERMISSION

DIMENSION UNITS	SCALE	CURRENT REV DESC.
mm	NTS	
GENERAL TOLERANCES (UNLESS SPECIFIED)		
ANGULAR TOL	± 3.0°	
4 PLACES	± 0.2	EC NO: 718854
3 PLACES	± 0.2	DRWN: SOKUMURA01 2019/07/17
2 PLACES	± 0.2	CHK'D: SAKIYAMA 2023/08/04
1 PLACE	± 0.2	APPR: MARAI 2023/08/04
0 PLACES	± 0.2	INITIAL REVISION:
		DRWN: SOKUMURA01 2019/07/17
		APPR: MARAI 2023/08/04
DRAFT WHERE APPLICABLE MUST REMAIN WITHIN DIMENSIONS		THIRD ANGLE PROJECTION
DRAWING		SERIES
A3-SIZE	505575	MATERIAL NUMBER
CUSTOMER		SHEET NUMBER
SEE SHEET 5		GENERAL
DOCUMENT NUMBER		DOC TYPE
5055750002-SD		PSD
DOC PART		REVISION
000		A

molex

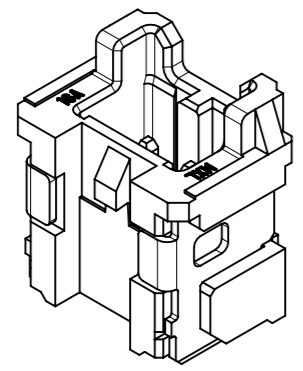
MICRO-LOCK PLUS 2.0 W/B
SINGLE ROW VERTICAL SMT PLUG ASSEMBLY
GOLD PLATING

PRODUCT CUSTOMER DRAWING

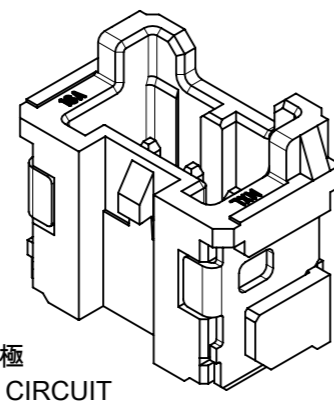
DOCUMENT NUMBER: 5055750002-SD
DOC TYPE: PSD
DOC PART: 000
REVISION: A

SEE SHEET 5 GENERAL 1 OF 5

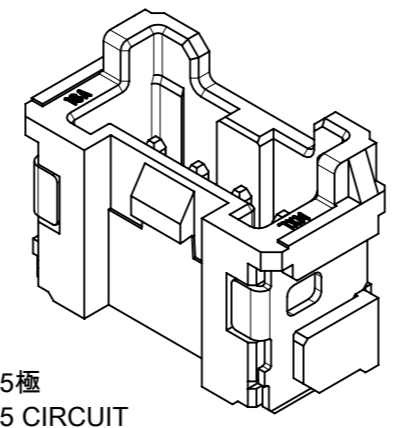
製品形状
PRODUCT SHAPE



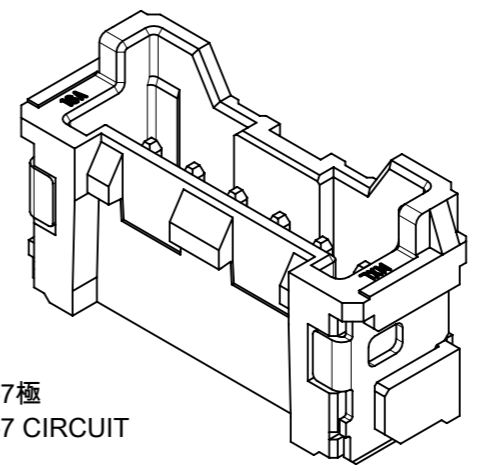
2極
2 CIRCUIT



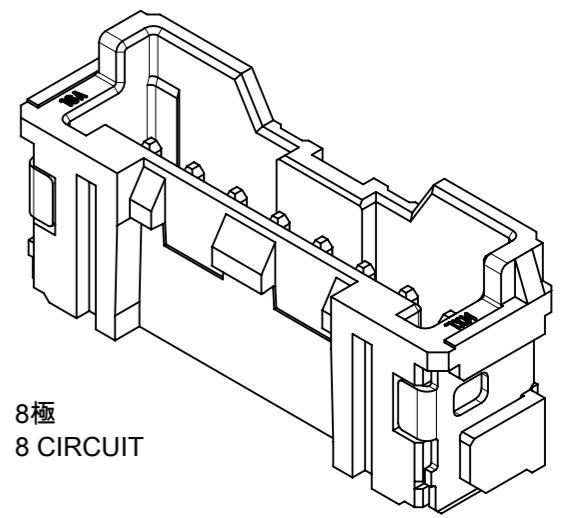
3極
3 CIRCUIT



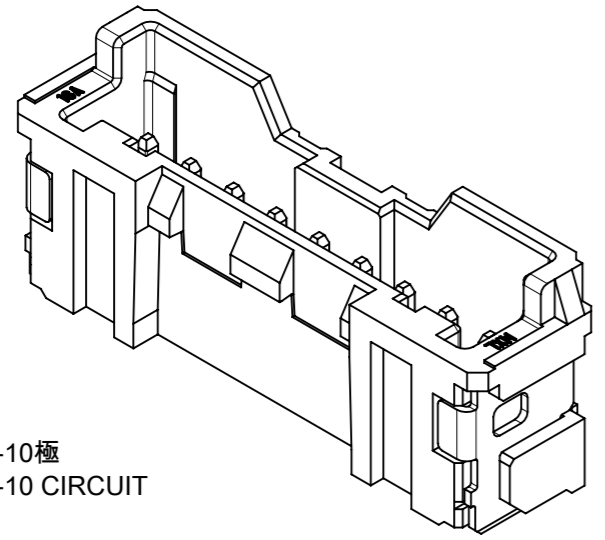
4-5極
4-5 CIRCUIT



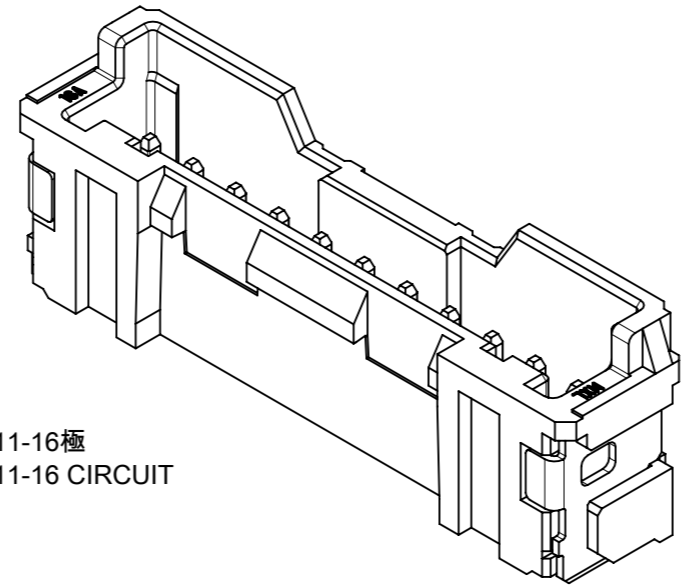
6-7極
6-7 CIRCUIT



8極
8 CIRCUIT

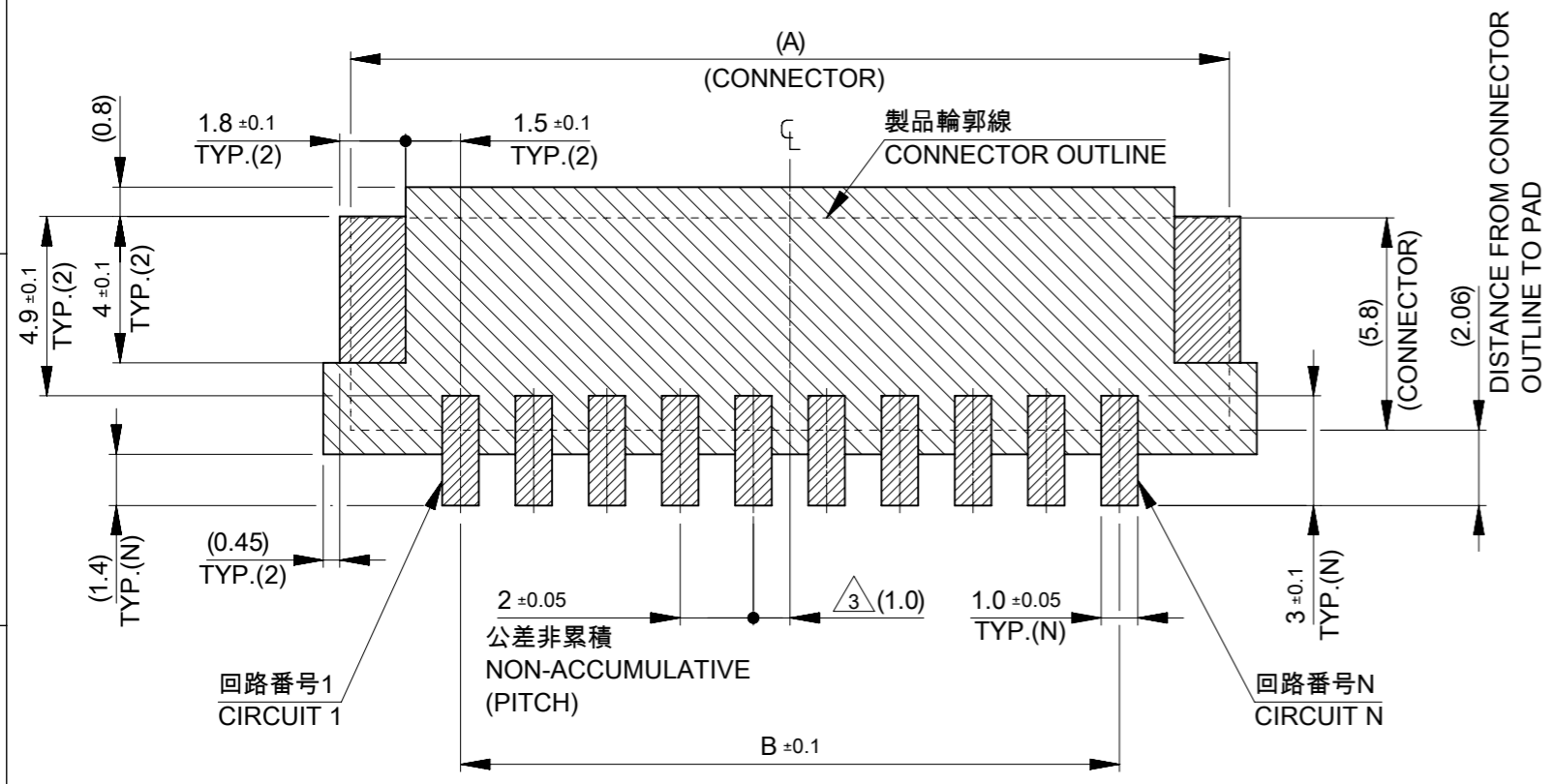


9-10極
9-10 CIRCUIT



11-16極
11-16 CIRCUIT

基板パターンレイアウト
PCB PATTERN LAYOUT



推奨基板パターンレイアウト
(参考：基板厚1.6mm, メタルマスク厚0.15mm, マスク開口率100%)
RECOMMENDED PCB PATTERN LAYOUT
(REFERENCE: PCB THICKNESS 1.6mm, STENCIL THICKNESS 0.15mm, APERTURE RATIO 100%)

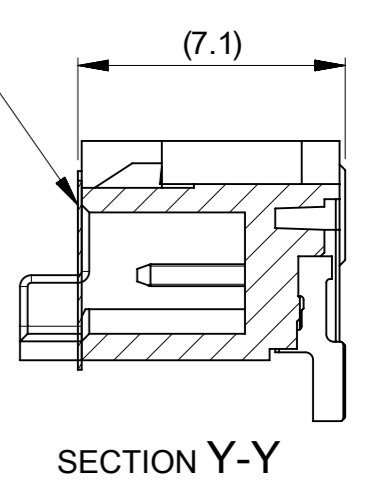
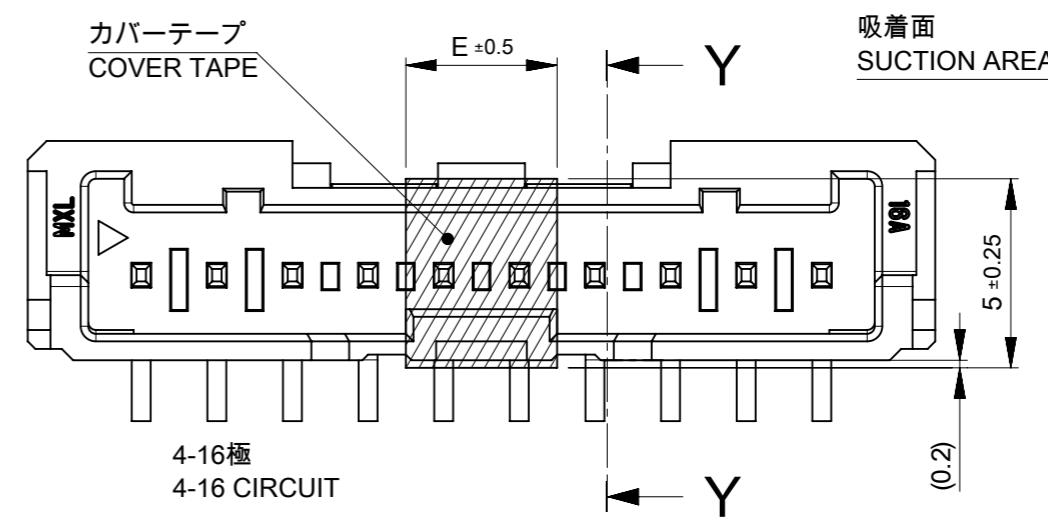
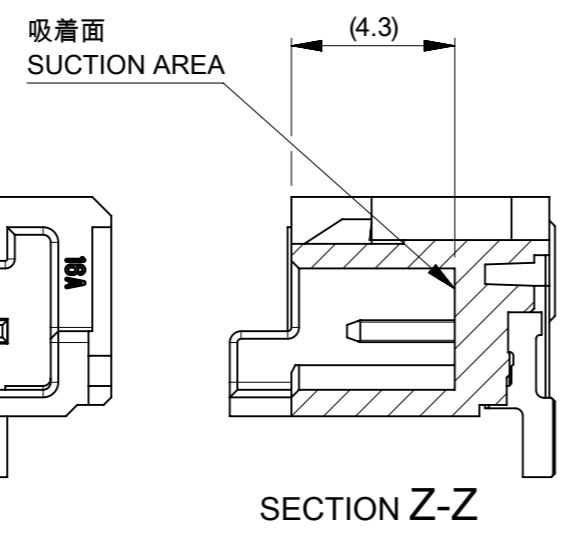
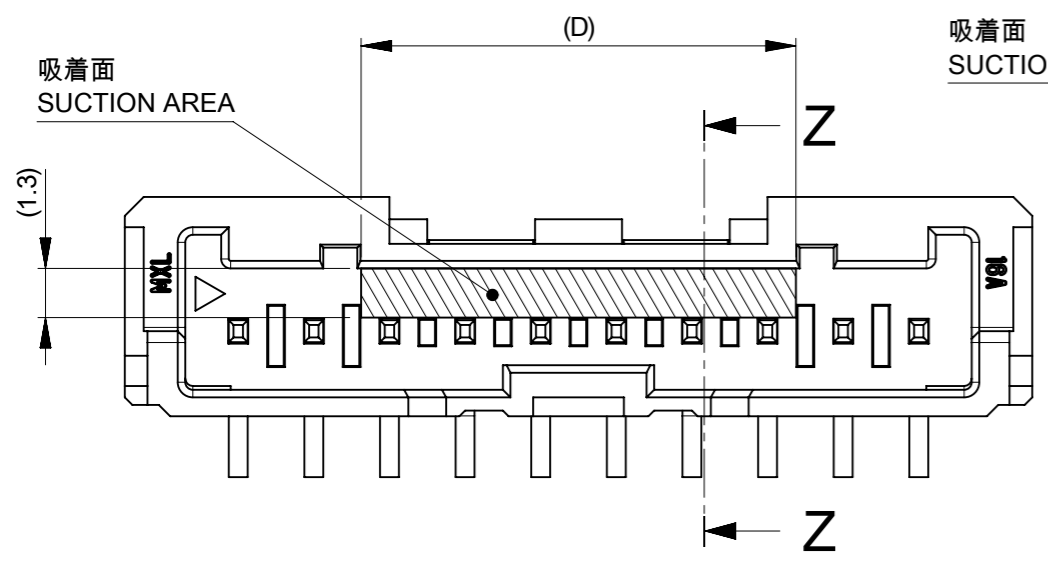
パターン禁止エリア
RESTRICTED AREA
NO PCB COMPONENTS ALLOWED

THIS DRAWING CONTAINS INFORMATION THAT IS PROPRIETARY TO MOLEX ELECTRONIC TECHNOLOGIES, LLC AND SHOULD NOT BE USED WITHOUT WRITTEN PERMISSION									
DIMENSION UNITS		SCALE		CURRENT REV DESC:					
mm		NTS		<p>molex</p> <p>MICRO-LOCK PLUS 2.0 W/B SINGLE ROW VERTICAL SMT PLUG ASSEMBLY GOLD PLATING</p> <p>PRODUCT CUSTOMER DRAWING</p> <p>DOCUMENT NUMBER: 5055750002-SD DOC TYPE: PSD DOC PART: 000 REVISION: A</p> <p>EC NO: 718854 DRWN: SOKUMURA01 2019/07/17 CHK'D: SAKIYAMA 2023/08/04 APPR: MARAI 2023/08/04</p> <p>INITIAL REVISION: DRWN: SOKUMURA01 2019/07/17 APPR: MARAI 2023/08/04</p> <p>DRAFT WHERE APPLICABLE MUST REMAIN WITHIN DIMENSIONS</p>					
GENERAL TOLERANCES (UNLESS SPECIFIED)									
ANGULAR TOL		± 3.0 °							
4 PLACES		± 0.2							
3 PLACES		± 0.2							
2 PLACES		± 0.2							
1 PLACE		± 0.2							
0 PLACES		± 0.2							
THIRD ANGLE PROJECTION		DRAWING		SERIES		MATERIAL NUMBER		CUSTOMER	
		A3-SIZE		505575		SEE SHEET 5		GENERAL	
SHEET NUMBER		2 OF 5							

吸着エリア
SUCTION AREA

カバーテープ無
WITHOUT COVER TAPE

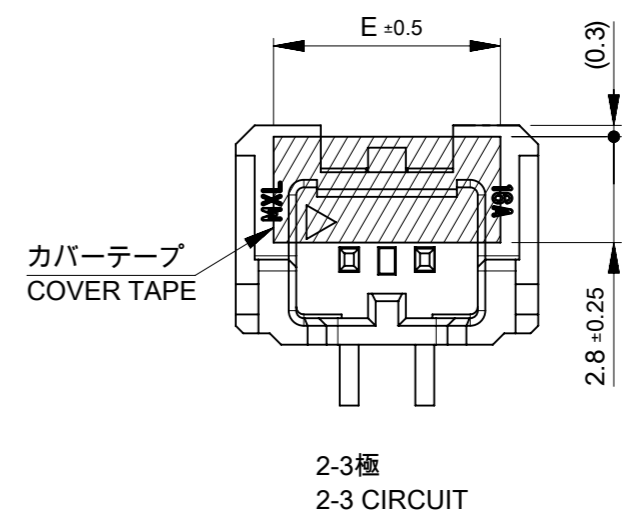
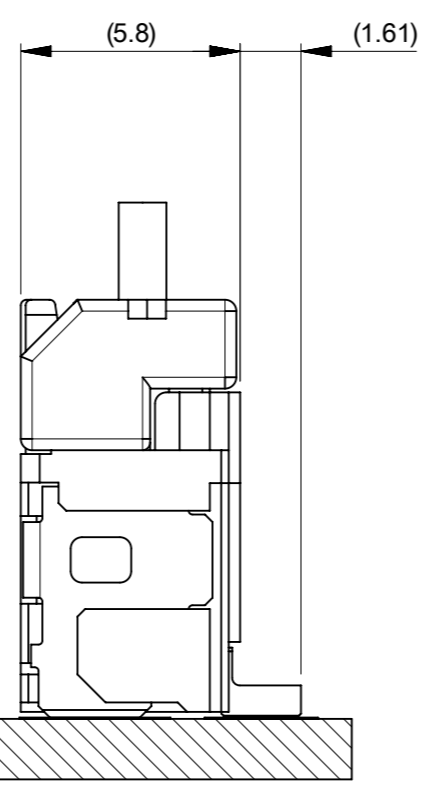
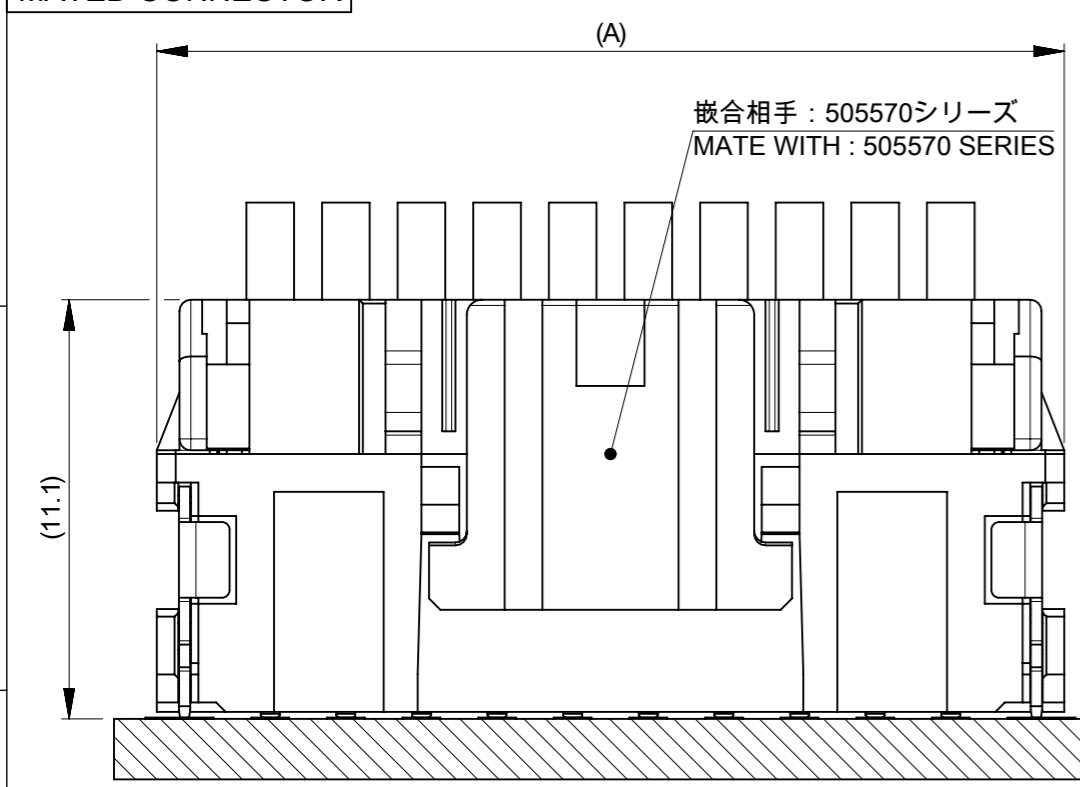
カバーテープ有
WITH COVER TAPE



4-16極
4-16 CIRCUIT

SECTION Y-Y

嵌合状態図
MATED CONNECTOR

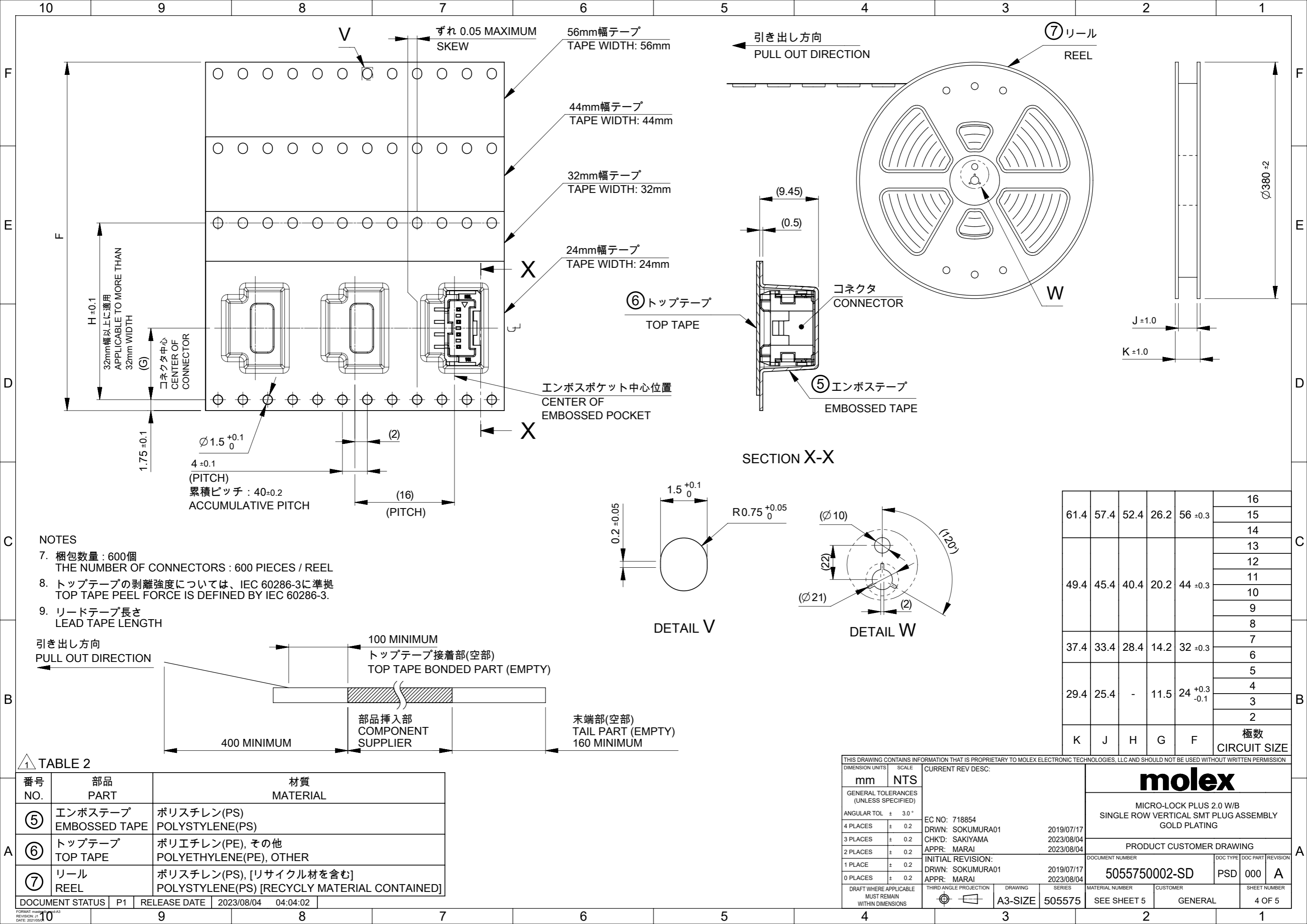


2-3極
2-3 CIRCUIT

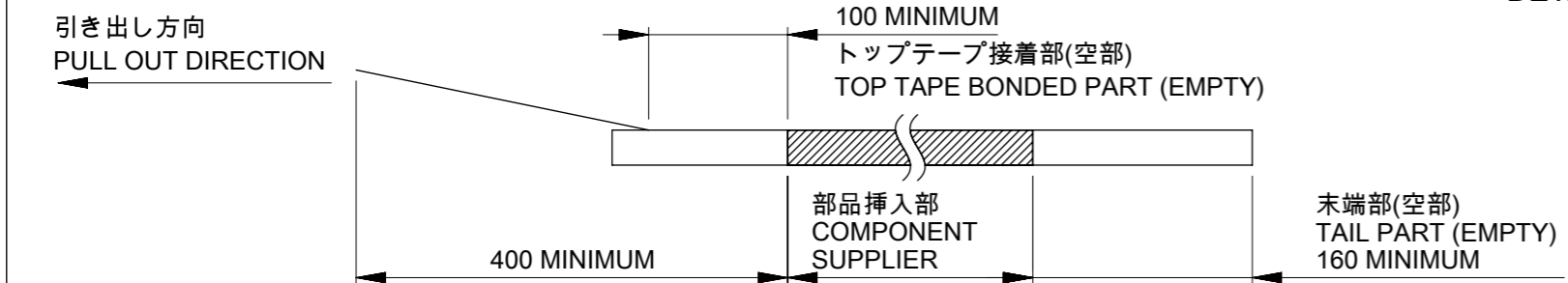
5	11.5	16
		15
		14
		13
		12
4	9.5	11
		10
		9
		8
8	4.5	7
		6
		5
6	2.5	4
		3
E	D	極数 CIRCUIT SIZE

THIS DRAWING CONTAINS INFORMATION THAT IS PROPRIETARY TO MOLEX ELECTRONIC TECHNOLOGIES, LLC AND SHOULD NOT BE USED WITHOUT WRITTEN PERMISSION

DIMENSION UNITS mm	SCALE NTS	CURRENT REV DESC:				
GENERAL TOLERANCES (UNLESS SPECIFIED)		EC NO: 718854				
ANGULAR TOL	± 3.0 °	DRWN: SOKUMURA01		SINGLE ROW VERTICAL SMT PLUG ASSEMBLY		
4 PLACES	± 0.2	CHK'D: SAKIYAMA		GOLD PLATING		
3 PLACES	± 0.2	APPR: MARAI		PRODUCT CUSTOMER DRAWING		
2 PLACES	± 0.2	INITIAL REVISION:		DOCUMENT NUMBER		
1 PLACE	± 0.2	DRWN: SOKUMURA01		5055750002-SD		
0 PLACES	± 0.2	APPR: MARAI		DOC TYPE DOC PART REVISION		
DRAFT WHERE APPLICABLE MUST REMAIN WITHIN DIMENSIONS		THIRD ANGLE PROJECTION		SEE SHEET 5		
		DRAWING		GENERAL		
		SERIES		SHEET NUMBER		
		A3-SIZE		3 OF 5		
		505575				



- TABLE 2**
 番号 NO. 部品 PART 材質 MATERIAL
 ⑤ エンボステープ EMBOSSSED TAPE ポリスチレン(PS) POLYSTYLENE(PS)
 ⑥ トップテープ TOP TAPE ポリエチレン(PE), その他 POLYETHYLENE(PE), OTHER
 ⑦ リール REEL ポリスチレン(PS), [リサイクル材を含む] POLYSTYLENE(PS) [RECYCLY MATERIAL CONTAINED]



61.4	57.4	52.4	26.2	56 ± 0.3	16
					15
					14
					13
					12
49.4	45.4	40.4	20.2	44 ± 0.3	11
					10
					9
					8
37.4	33.4	28.4	14.2	32 ± 0.3	7
					6
29.4	25.4	-	11.5	24 ^{+0.3} _{-0.1}	5
					4
					3
					2
K	J	H	G	F	極数 CIRCUIT SIZE

THIS DRAWING CONTAINS INFORMATION THAT IS PROPRIETARY TO MOLEX ELECTRONIC TECHNOLOGIES, LLC AND SHOULD NOT BE USED WITHOUT WRITTEN PERMISSION
 DIMENSION UNITS: mm SCALE: NTS
 CURRENT REV DESC:
molex
 MICRO-LOCK PLUS 2.0 W/B
 SINGLE ROW VERTICAL SMT PLUG ASSEMBLY
 GOLD PLATING
 PRODUCT CUSTOMER DRAWING
 EC NO: 718854
 DRWN: SOKUMURA01 2019/07/17
 3 PLACES ± 0.2
 CHK'D: SAKIYAMA 2023/08/04
 APPR: MARAI 2023/08/04
 INITIAL REVISION:
 DRWN: SOKUMURA01 2019/07/17
 APPR: MARAI 2023/08/04
 DOCUMENT NUMBER: 5055750002-SD
 DOC TYPE: PSD
 DOC PART: 000
 REVISION: A
 DRAFT WHERE APPLICABLE MUST REMAIN WITHIN DIMENSIONS
 THIRD ANGLE PROJECTION
 DRAWING: A3-SIZE
 SERIES: 505575
 MATERIAL NUMBER: SEE SHEET 5
 CUSTOMER: GENERAL
 SHEET NUMBER: 4 OF 5

