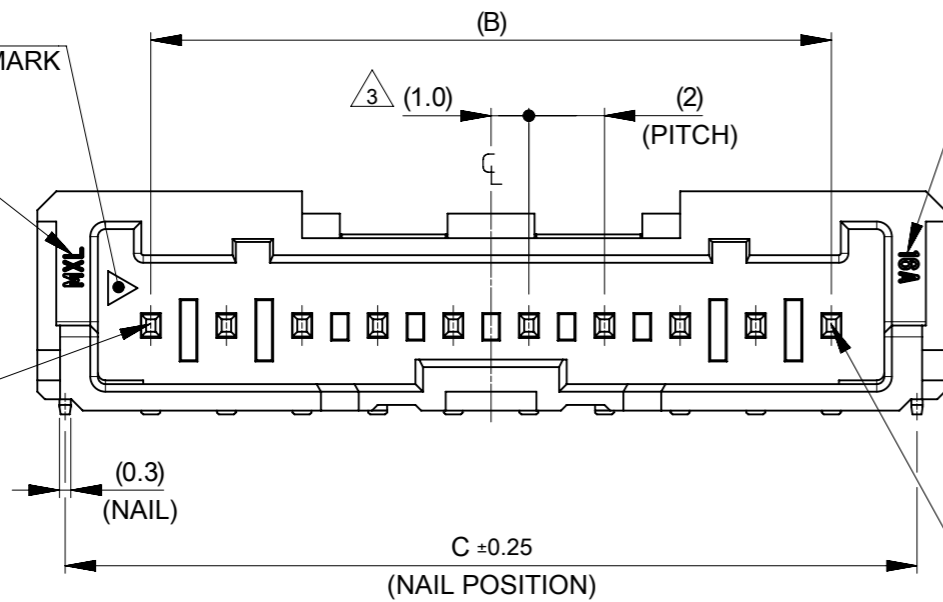


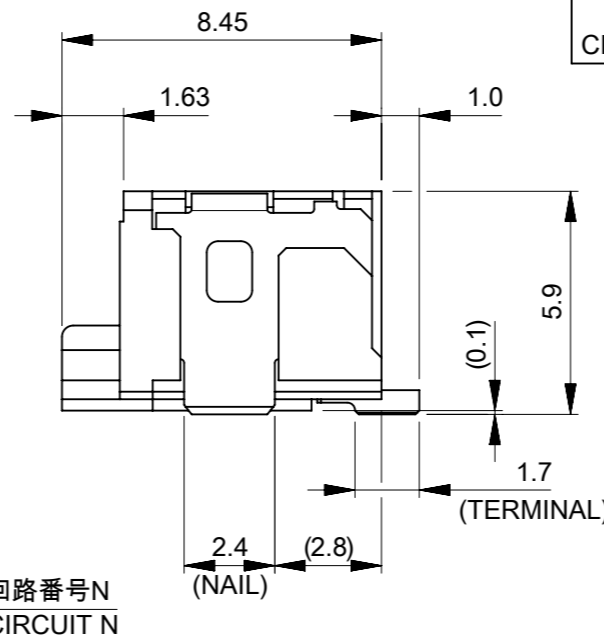
回路番号1マーク  
CIRCUIT 1 INDICATOR MARK

トレードマーク  
TRADE MARK

回路番号1  
CIRCUIT 1



キャビティ及び金型番号  
CAVITY & MOLD NUMBER



回路番号N  
CIRCUIT N

NOTES

- 材質及び仕上げ(めっき仕様) : TABLE 1 参照  
MATERIAL AND FINISHES (PLATING SPECIFICATION) : SEE TABLE 1
- 製品仕様書、コネクタ取扱説明書、適合嵌合相手はSHEET 5をご参照下さい。  
PLEASE REFER TO SHEET 5 FOR PRODUCT SPECIFICATION, APPLICATION SPECIFICATION AND MATE WITH.
- 偶数極に適用  
APPLY TO EVEN CIRCUIT
- 本製品は金めっき品である。  
錫めっき品は5055780001 PSD 000をご参照下さい。  
THIS IS GOLD PLATING PRODUCT.  
PLEASE REFER TO 5055780001 PSD 000 FOR TIN PLATING PRODUCT.
- 端子テール部及びネイルの平坦度 : 0.1mm以下  
TAIL AND NAIL COPLANARITY TO BE 0.1mm MAXIMUM.
- 発注番号 : SHEET 5参照  
ORDER NUMBER : PLEASE REFER TO SHEET 5

505578\*\*\*\*

極数  
CIRCUIT SIZE

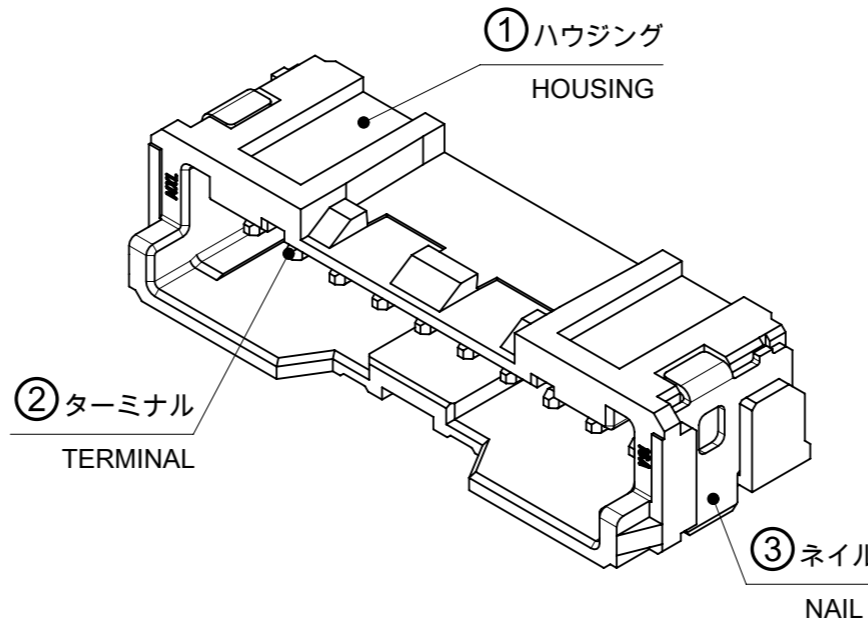
番号 NO.	ハウジングカラー HOUSING COLOR
0	ナチュラル(白) NATURAL (WHITE)
1	黒 BLACK

番号 NO.	接点部 金めっき厚 CONTACT GOLD PLATING THICKNESS [MICROMETER MINIMUM]
6	0.1
2	0.38
4	0.76

34.53	30	36	16
32.53	28	34	15
30.53	26	32	14
28.53	24	30	13
26.53	22	28	12
24.53	20	26	11
22.53	18	24	10
20.53	16	22	9
18.53	14	20	8
16.53	12	18	7
14.53	10	16	6
12.53	8	14	5
10.53	6	12	4
8.53	4	10	3
6.53	2	8	2
C	B	A	極数 CIRCUIT SIZE

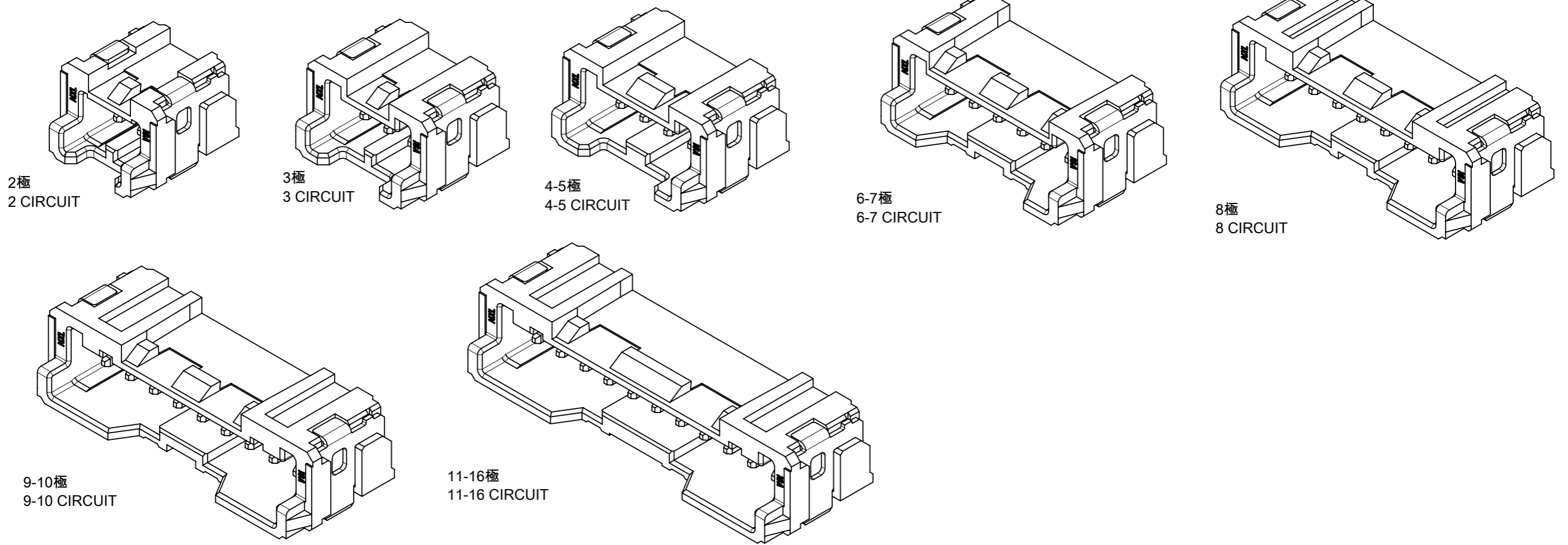
TABLE 1

番号 NO.	部品 PART	材質 MATERIAL
①	ハウジング HOUSING	ポリアミド (PA), ガラス充填, UL94V-0, 色 : SHEET 5 参照 POLYAMIDE (PA), GLASS FILLED, UL94V-0, COLOR : SEE SHEET 5
②	ターミナル TERMINAL	黄銅 BRASS
		金めっき (接点部) : SHEET 5 参照 GOLD PLATING (CONTACT) : SEE SHEET 5 ニッケルめっき (下地めっき) : 2.0 MICROMETER MINIMUM NICKEL PLATING (UNDERPLATING)
③	ネイル NAIL	リン青銅 PHOSPHOR BRONZE
		錫めっき : 1.0 MICROMETER MINIMUM MATTE TIN PLATING ニッケルめっき (下地めっき) : 1.0 MICROMETER MINIMUM NICKEL PLATING (UNDERPLATING)

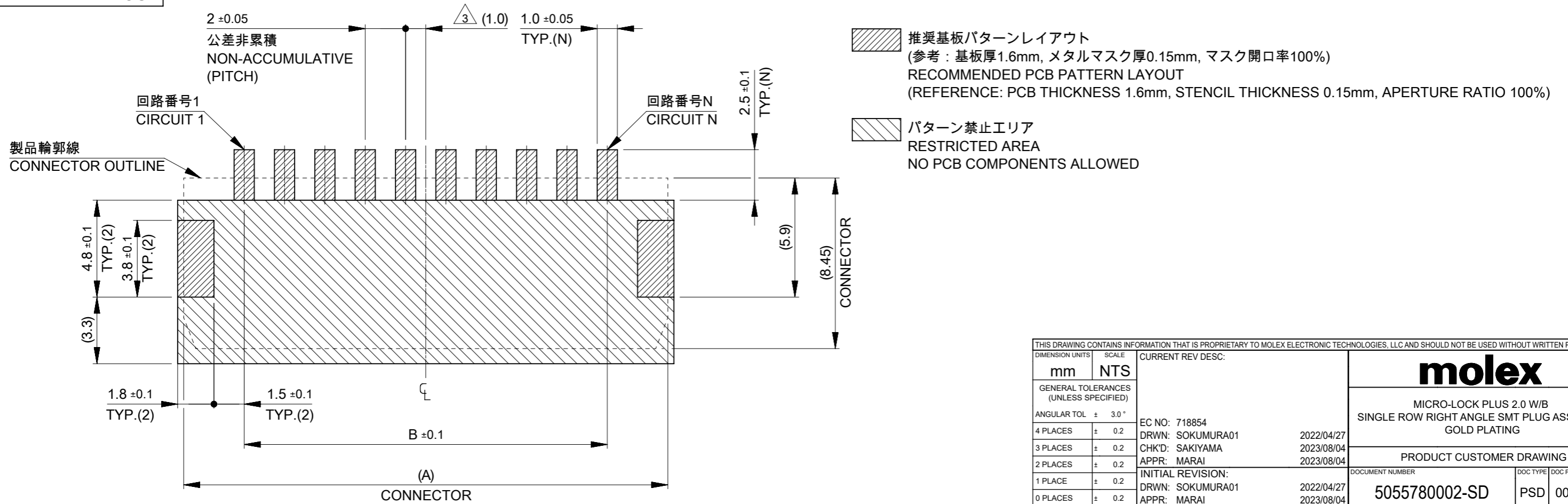


THIS DRAWING CONTAINS INFORMATION THAT IS PROPRIETARY TO MOLEX ELECTRONIC TECHNOLOGIES, LLC AND SHOULD NOT BE USED WITHOUT WRITTEN PERMISSION		CURRENT REV DESC:				
DIMENSION UNITS	SCALE	EC NO: 718854				
mm	NTS	DRWN: SOKUMURA01 2022/04/27		MICRO-LOCK PLUS 2.0 W/B SINGLE ROW RIGHT ANGLE SMT PLUG ASSEMBLY GOLD PLATING		
GENERAL TOLERANCES (UNLESS SPECIFIED)		CHK'D: SAKIYAMA 2023/08/04				
ANGULAR TOL ± 3.0°		APPR: MARAI 2023/08/04		PRODUCT CUSTOMER DRAWING		
4 PLACES ± 0.2		INITIAL REVISION:				
3 PLACES ± 0.2		DRWN: SOKUMURA01 2022/04/27		DOCUMENT NUMBER 5055780002-SD		
2 PLACES ± 0.2		APPR: MARAI 2023/08/04				
1 PLACE ± 0.2		SERIES		DOC TYPE DOC PART REVISION PSD 000 A		
0 PLACES ± 0.2		505578				
DRAFT WHERE APPLICABLE MUST REMAIN WITHIN DIMENSIONS		THIRD ANGLE PROJECTION	DRAWING	MATERIAL NUMBER	CUSTOMER	SHEET NUMBER
			A3-SIZE	SEE SHEET 5	GENERAL	1 OF 5

製品形状  
PRODUCT SHAPE

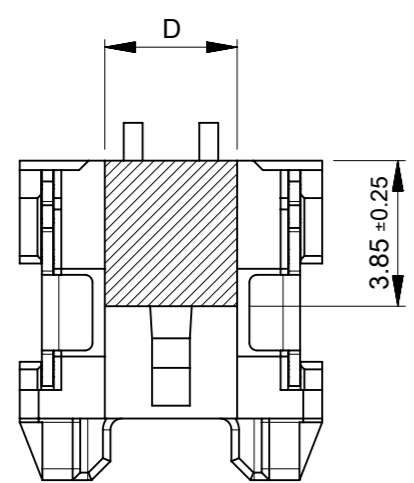


基板パターンレイアウト  
PCB PATTERN LAYOUT

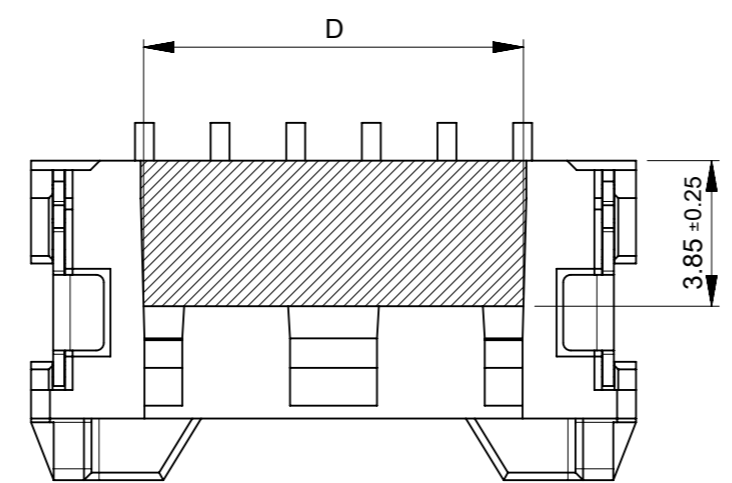


THIS DRAWING CONTAINS INFORMATION THAT IS PROPRIETARY TO MOLEX ELECTRONIC TECHNOLOGIES, LLC AND SHOULD NOT BE USED WITHOUT WRITTEN PERMISSION									
DIMENSION UNITS		SCALE		CURRENT REV DESC:					
mm		NTS		<p><b>molex</b></p> <p>MICRO-LOCK PLUS 2.0 W/B SINGLE ROW RIGHT ANGLE SMT PLUG ASSEMBLY GOLD PLATING</p> <p>PRODUCT CUSTOMER DRAWING</p> <p>DOCUMENT NUMBER: 5055780002-SD   DOC TYPE: PSD   DOC PART: 000   REVISION: A</p>					
GENERAL TOLERANCES (UNLESS SPECIFIED)									
ANGULAR TOL ± 3.0 °									
4 PLACES ± 0.2		EC NO: 718854							
3 PLACES ± 0.2		DRWN: SOKUMURA01 2022/04/27							
2 PLACES ± 0.2		CHK'D: SAKIYAMA 2023/08/04							
1 PLACE ± 0.2		APPR: MARAI 2023/08/04							
0 PLACES ± 0.2		INITIAL REVISION:							
DRAFT WHERE APPLICABLE MUST REMAIN WITHIN DIMENSIONS		DRWN: SOKUMURA01 2022/04/27		APPR: MARAI 2023/08/04		MATERIAL NUMBER		CUSTOMER	
THIRD ANGLE PROJECTION		DRAWING		SERIES		MATERIAL NUMBER		CUSTOMER	
A3-SIZE		505578		SEE SHEET 5		GENERAL		SHEET NUMBER	
2 OF 5									

吸着エリア  
SUCTION AREA

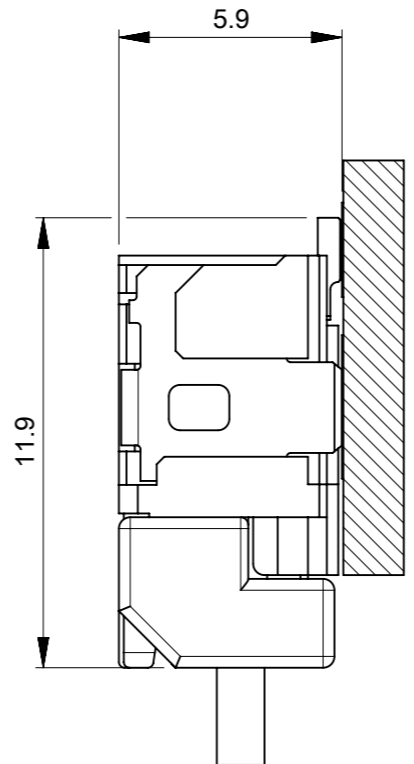
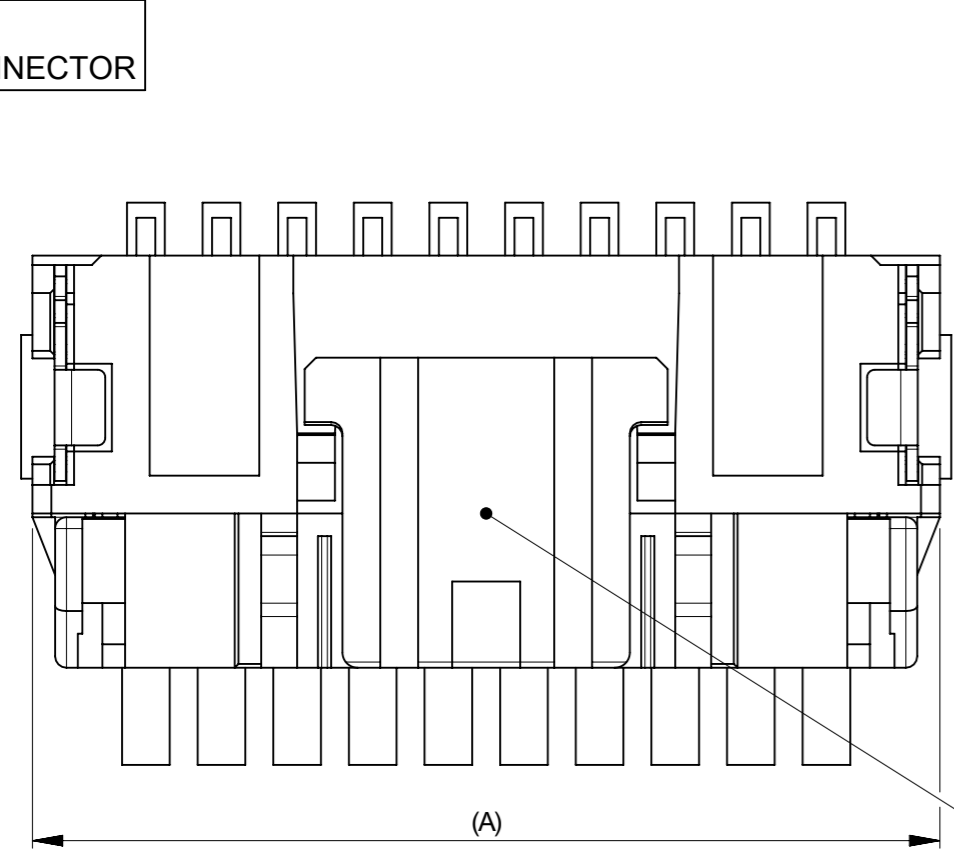


2-5 CIRCUIT



6-16 CIRCUIT

嵌合状態図  
MATED CONNECTOR



嵌合相手 : 505570シリーズ  
MATE WITH : 505570 SERIES

14	16
	15
	14
	13
10	12
	11
	10
	9
5.5	8
	7
	6
	5
3.5	4
	3
D	2
	極数 CIRCUIT SIZE

THIS DRAWING CONTAINS INFORMATION THAT IS PROPRIETARY TO MOLEX ELECTRONIC TECHNOLOGIES, LLC AND SHOULD NOT BE USED WITHOUT WRITTEN PERMISSION									
DIMENSION UNITS		SCALE		CURRENT REV DESC:					
mm		NTS		<p style="text-align: center;"><b>molex</b></p> <p style="text-align: center;">MICRO-LOCK PLUS 2.0 W/B SINGLE ROW RIGHT ANGLE SMT PLUG ASSEMBLY GOLD PLATING</p> <p style="text-align: center;">PRODUCT CUSTOMER DRAWING</p>					
GENERAL TOLERANCES (UNLESS SPECIFIED)									
ANGULAR TOL		± 3.0 °							
4 PLACES		± 0.2							
3 PLACES		± 0.2							
2 PLACES		± 0.2							
1 PLACE		± 0.2							
0 PLACES		± 0.2							
DRAFT WHERE APPLICABLE MUST REMAIN WITHIN DIMENSIONS				THIRD ANGLE PROJECTION		DRAWING		SERIES	
		A3-SIZE		505578		MATERIAL NUMBER		CUSTOMER	
		SEE SHEET 5		GENERAL		SHEET NUMBER		3 OF 5	



△ 2 適合製品及び各種仕様書 APPLICABLE PRODUCTS AND VARIOUS SPECIFICATIONS

梱包仕様書 PACKAGING SPECIFICATION	5055789200 PS 200
適合嵌合相手シリーズ番号 MATE WITH SERIES NUMBER	505570
製品仕様書 PRODUCT SPECIFICATION	5055700002-PS PS 000
コネクタ取扱説明書 APPLICATION SPECIFICATION	5055700001 PS A03

△ 6 製品一覧

ORDER NUMBER LIST

BLACK	NATURAL(WHITE)	BLACK	NATURAL(WHITE)	BLACK	NATURAL(WHITE)	HOUSING COLOR
5055781641	5055781640	5055781621	5055781620	5055781661	5055781660	16
5055781541	5055781540	5055781521	5055781520	5055781561	5055781560	15
5055781441	5055781440	5055781421	5055781420	5055781461	5055781460	14
5055781341	5055781340	5055781321	5055781320	5055781361	5055781360	13
5055781241	5055781240	5055781221	5055781220	5055781261	5055781260	12
5055781141	5055781140	5055781121	5055781120	5055781161	5055781160	11
5055781041	5055781040	5055781021	5055781020	5055781061	5055781060	10
5055780941	5055780940	5055780921	5055780920	5055780961	5055780960	9
5055780841	5055780840	5055780821	5055780820	5055780861	5055780860	8
5055780741	5055780740	5055780721	5055780720	5055780761	5055780760	7
5055780641	5055780640	5055780621	5055780620	5055780661	5055780660	6
5055780541	5055780540	5055780521	5055780520	5055780561	5055780560	5
5055780441	5055780440	5055780421	5055780420	5055780461	5055780460	4
5055780341	5055780340	5055780321	5055780320	5055780361	5055780360	3
5055780241	5055780240	5055780221	5055780220	5055780261	5055780260	2


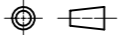
発注番号 : ORDER NUMBER

梱包形態 : エンボステープ、リール

PACKAGING : EMBOSSED TAPE AND REEL

極数  
CIRCUIT SIZE

THIS DRAWING CONTAINS INFORMATION THAT IS PROPRIETARY TO MOLEX ELECTRONIC TECHNOLOGIES, LLC AND SHOULD NOT BE USED WITHOUT WRITTEN PERMISSION

DIMENSION UNITS mm	SCALE NTS	CURRENT REV DESC:	 MICRO-LOCK PLUS 2.0 W/B SINGLE ROW RIGHT ANGLE SMT PLUG ASSEMBLY GOLD PLATING		
GENERAL TOLERANCES (UNLESS SPECIFIED)					
ANGULAR TOL ± 3.0 °		EC NO: 718854 DRWN: SOKUMURA01 2022/04/27 CHK'D: SAKIYAMA 2023/08/04 APPR: MARAI 2023/08/04	PRODUCT CUSTOMER DRAWING		
4 PLACES ± 0.2			INITIAL REVISION: DRWN: SOKUMURA01 2022/04/27 APPR: MARAI 2023/08/04	DOCUMENT NUMBER	DOC TYPE
3 PLACES ± 0.2				5055780002-SD	PSD
2 PLACES ± 0.2					REVISION
1 PLACE ± 0.2					A
0 PLACES ± 0.2					
DRAFT WHERE APPLICABLE MUST REMAIN WITHIN DIMENSIONS	THIRD ANGLE PROJECTION	DRAWING	SERIES	MATERIAL NUMBER	CUSTOMER
		A3-SIZE	505578	SEE CHART	GENERAL
					SHEET NUMBER
					5 OF 5

DOCUMENT STATUS	P1	RELEASE DATE	2023/08/04	04:04:02
-----------------	----	--------------	------------	----------