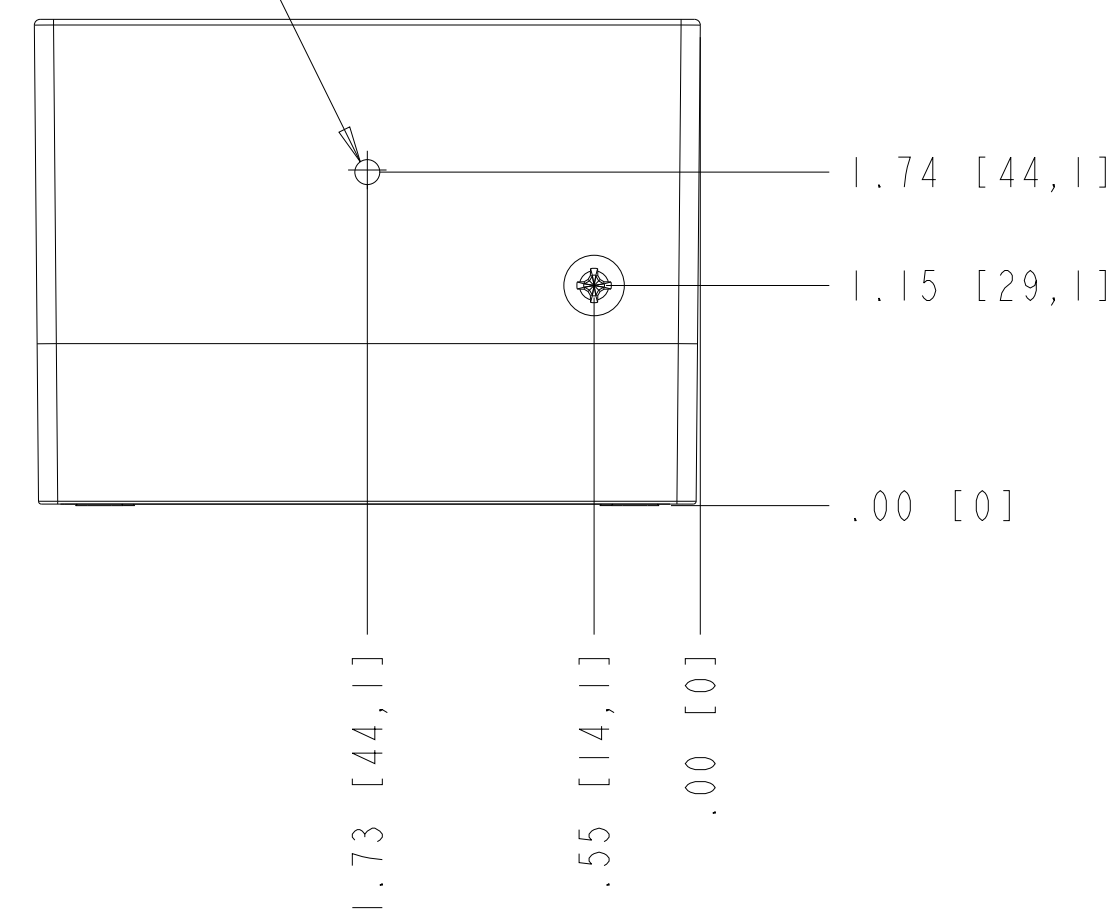


2X M4 X .07, .20 [5] MAX INSERTION DEPTH



1. REFER TO PRODUCT MANUAL ON NI.COM FOR MORE DETAILS

UNLESS OTHERWISE SPECIFIED
 DIMENSIONS ARE IN INCHES AND
 [MILLIMETERS].

DO NOT SCALE DRAWING
 THIRD ANGLE PROJECTION

NATIONAL INSTRUMENTS®
 AUSTIN, TEXAS

TITLE
 cRIO-9063

SIZE CODE IDENT NO. MM/DD/YYYY
 D 7U296 04/15/2015

SCALE: 1,000 SHEET 1 OF 1

CRIO-9063