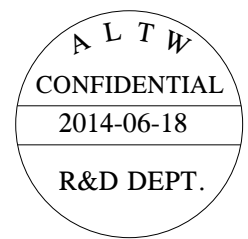
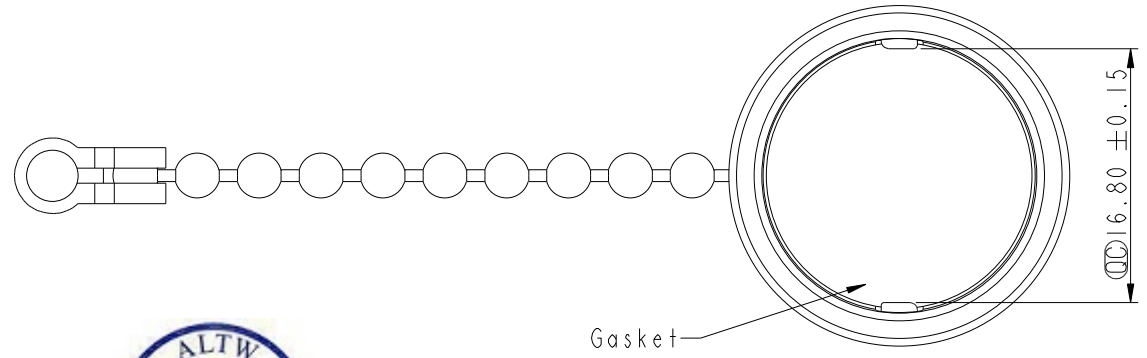
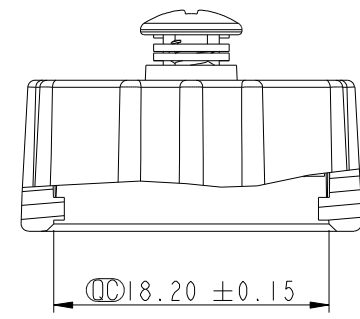
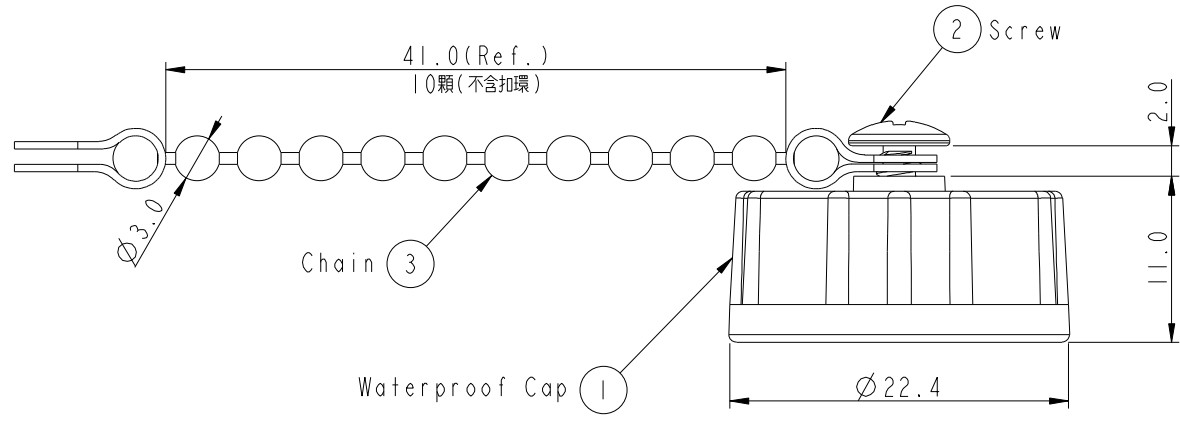


REV.	ECN NO.	DATE	SIGN	DESCRIPTION
B	LEN1470198	2014-06-18	Yulong_wang	Change the Gasket Material.



Note:
 * \varnothing Important Dimension To Check.
 * Cap: Nylon+GF, Black.
 * Gasket: Silicone, Gray.
 * Screw is not allowed to tight (Chain be revolve)
 不可將螺絲鎖緊 (鏈條要可旋轉)

UNIT: mm		
TOLERANCE		
.X	±0.25	
.XX	±0.1	
.XXX	±0.05	
ANGLES	±1°	

TITLE Waterproof Cap For Male Conn. C Size Lock Type			
SCALE 2:1	SIZE A4	SHEET 1 OF 1	
REV. B	WC-REV. A.5	\varnothing : Inspection item	

Amphenol LTW
 安費諾亮泰企業股份有限公司

ITEM NO. CAP-WACMLPBI	DRAWN BY Yulong_wang	DATE 2014-06-18
DWG NO. CAP-WACMLPBI	CHECKED BY Lin_rensong	DATE 2014-06-18
CUSTOMER ALTW	APPROVED BY Jerry	DATE 2014-06-18

THIS DOCUMENT IS SUBJECT TO CHANGE WITHOUT NOTICE. IT IS CONFIDENTIAL AND A PROPERTY OF AMPHENOL LTW. DISCLOSURE TO THIRD PARTY HAS TO BE AUTHORIZED BY AMPHENOL LTW.