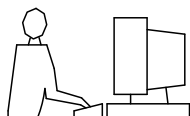


THIS IS A C.A.D. GENERATED DRAWING
DO NOT MAKE MANUAL REVISIONS TO MASTER.

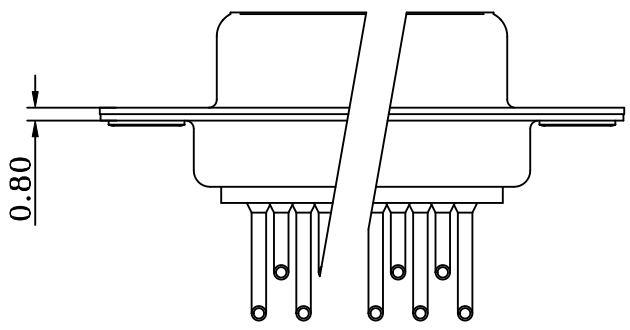
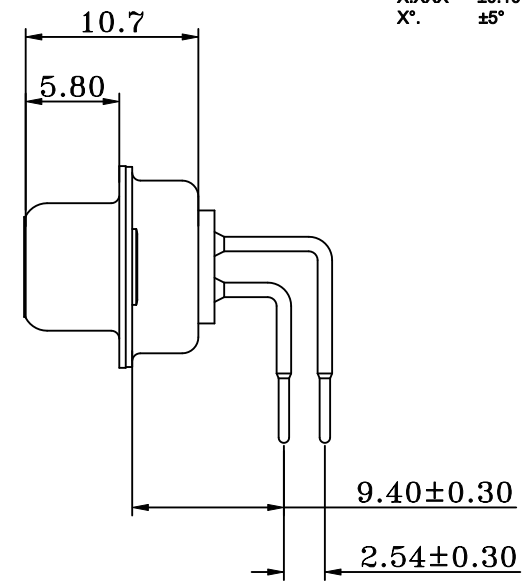
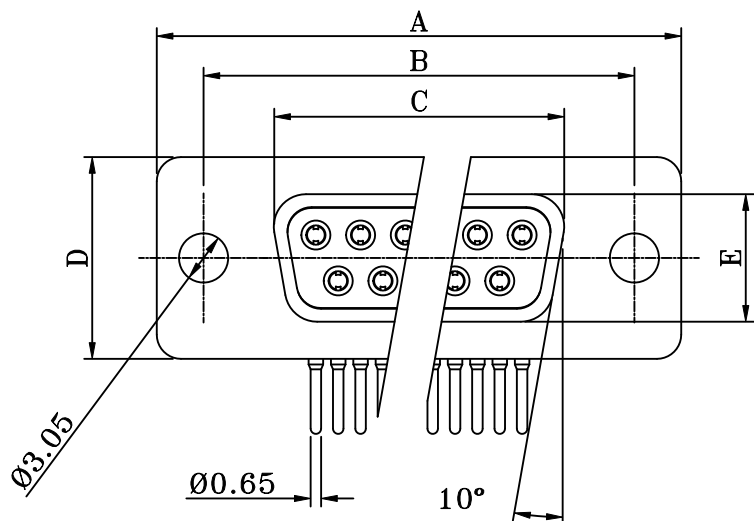


* UNLESS OTHERWISE SPECIFIED TOLERANCES

ON DECIMAL IS: ANGLE

UNIT: MM
 X. ±0.40
 .X ±0.30
 X.XX ±0.20
 X.XXX ±0.10
 X° ±5°

ISSUE NUMBER	
ORIGINAL	①
UPDATE DRAWING Henry Pan 01/24/2024	②
Updated some errors in the process of replacing frames Henry Pan 01/27/2024	③



MATERIALS AND FINISH

SHELL: STEEL MATERIAL, FRONT SHELL NICKEL FINISHED
 BACK SHELL NICKEL FINISHED
 DIMPLES ON PLUG ONLY
 INSULATOR: PBT THERMOPLASTIC, 30% GLASS FILLED
 UL 94V-0 RATED, BLACK COLOR
 CONTACT: PRECISION MACHINED COPPER ALLOY
 FULL GOLD FLASH

ELECTRICAL CHARACTERISTICS

CONTACT CURRENT RATING : 5.0 A
 CONTACT RESISTANCE : 10 mΩ MAX.
 DIELECTRIC WITHSTANDING VOLTAGE : 1000 V AC MIN.
 INSULATION RESISTANCE : 5GΩ MIN.
 TEMPERATURE RATING : -55° C ~ +125° C

POS.	A	B	C	D	E	PART NO.
09	30.80	25.00	16.30	12.50	7.9	MHDD09-F-N-B-M-RBM
15	39.20	33.30	24.60	12.50	7.9	MHDD15-F-N-B-M-RBM
25	53.05	47.05	38.40	12.50	7.9	MHDD25-F-N-B-M-RBM
37	69.40	63.50	54.80	12.50	7.9	MHDD37-F-N-B-M-RBM

THESE DRAWINGS AND SPECIFICATIONS ARE THE PROPERTY OF MH CONNECTORS AND SHALL NOT BE REPRODUCED, COPIED OR USED AS THE BASIS FOR THE MANUFACTURE OR SALE OF APPARATUS WITHOUT WRITTEN PERMISSION.	DRAWN Henry Pan	DATE 01/19/2024
	APPROVED	DATE



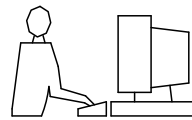
THIS SERIES FULLY CONFORMS TO THE EUROPEAN UNION DIRECTIVES 2015/863/EU AND 2011/65/EU FOR RoHS COMPLIANCY.



**MH CONNECTORS ,
DIVISION OF EDAC**

SCALE 2:1	SHEET OF 1 OF 2	REV: 3
DRAWING No MHDDXX-F-N-B-M-RBM		

THIS IS A C.A.D. GENERATED DRAWING
DO NOT MAKE MANUAL REVISIONS TO MASTER.



* UNLESS OTHERWISE SPECIFIED TOLERANCES

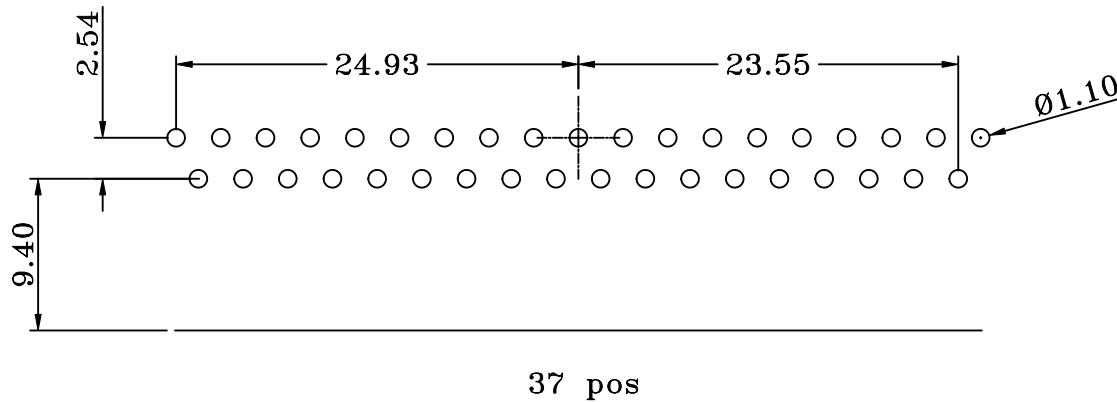
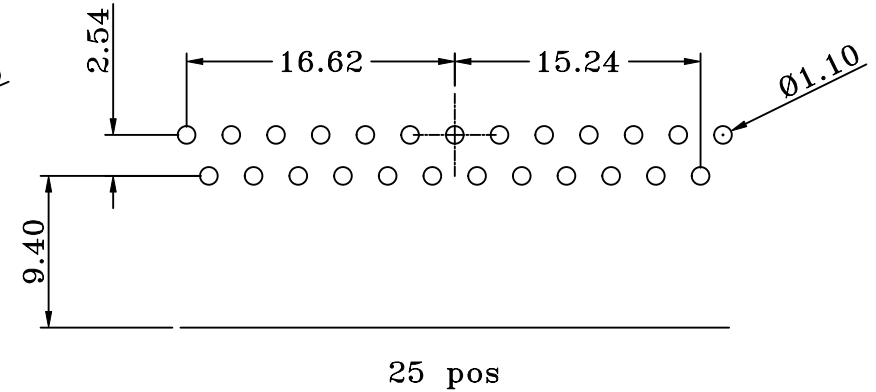
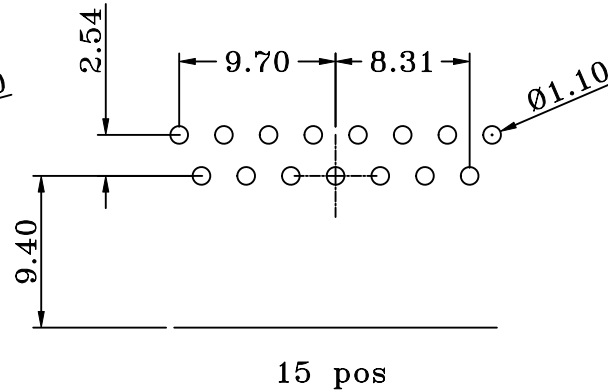
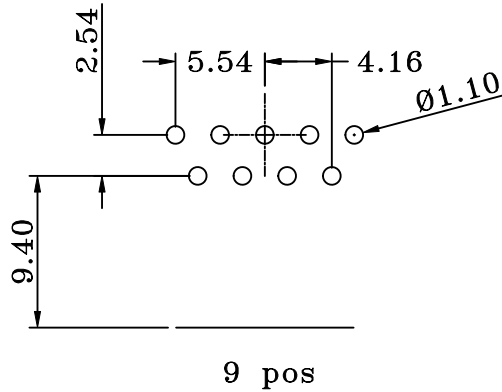
ON DECIMAL IS: ANGLE

UNIT: MM
 X. ±0.40
 .X ±0.30
 X.XX ±0.20
 X.XXX ±0.10
 X° ±5°

ISSUE NUMBER

ORIGINAL	①
UPDATE DRAWING Henry Pan 01/24/2024	②
Update dimensions to two decimal places Henry Pan 01/27/2024	③

P.C.B LAYOUT



THESE DRAWINGS AND SPECIFICATIONS ARE THE PROPERTY OF MH CONNECTORS AND SHALL NOT BE REPRODUCED, COPIED OR USED AS THE BASIS FOR THE MANUFACTURE OR SALE OF APPARATUS WITHOUT WRITTEN PERMISSION.

DRAWN
Henry Pan
DATE
01/19/2024

APPROVED
DATE

SCALE
2:1
SHEET OF
2 OF 2
REV:
3

DRAWING No
MHDDXX-F-N-B-M-RBM



THIS SERIES FULLY CONFORMS TO THE EUROPEAN UNION DIRECTIVES 2015/863/EU AND 2011/65/EU FOR RoHS COMPLIANCY.



MH CONNECTORS,
DIVISION OF EDAC