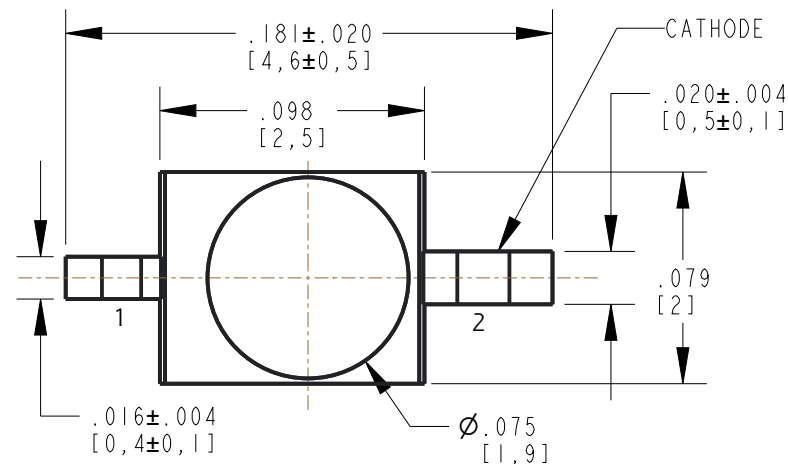


DIALIGHT PART NO.	LED COLOR	LENS COLOR
521-5004F	IR 850	WATER CLEAR
521-5005F	IR 940	WATER CLEAR

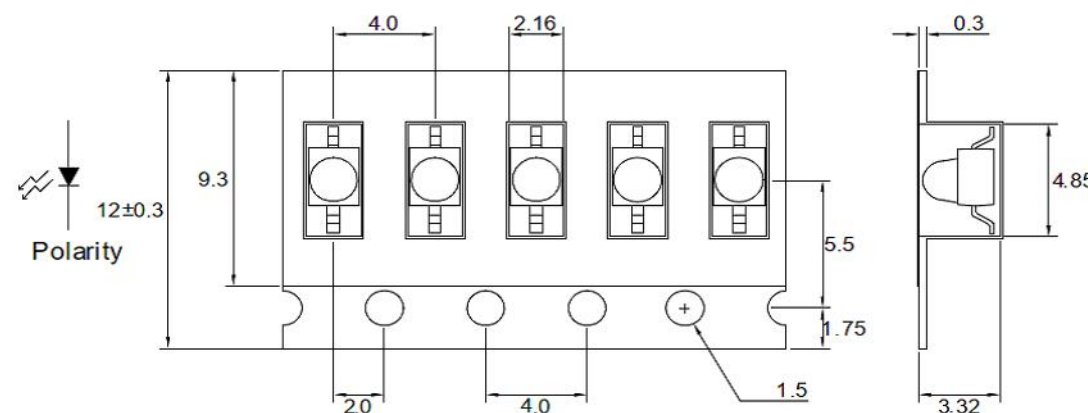
REV	ECN NO	REVISIONS	DRN	CKD	APP	QA	CM	DATE
A	122228	NEW RELEASE	LD	CS				9-13-24

**NOTES:**

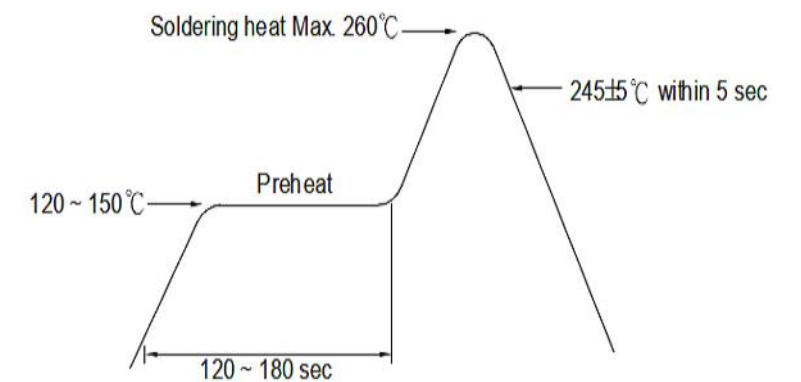
- PARTS ARE TO BE SUPPLIED IN 12mm CARRIER TAPE ON 7" REEL  
1500 PCS PER REEL.
- PIN NUMBERS ARE FOR REFERENCE ONLY, DESIGNATION NON-EXISTENT ON PART.
- THIS ASSEMBLY CONTAINS ELECTROSTATIC DISCHARGE SENSITIVE DEVICES (ESDS). MAINTAIN ALL PRECAUTIONARY MEASURES DURING ASSEMBLY, HANDLING AND STORAGE IN ACCORDANCE WITH IPC-A-610.
- THIS PRODUCT IS RoHS COMPLIANT. EACH BAG IS TO BE MARKED WITH RoHS COMPLIANT LABEL OR EQUIVALENT MARKINGS. LED MUST BE Pb FREE.
- MOISTURE SENSITIVITY LEVEL IS 2.



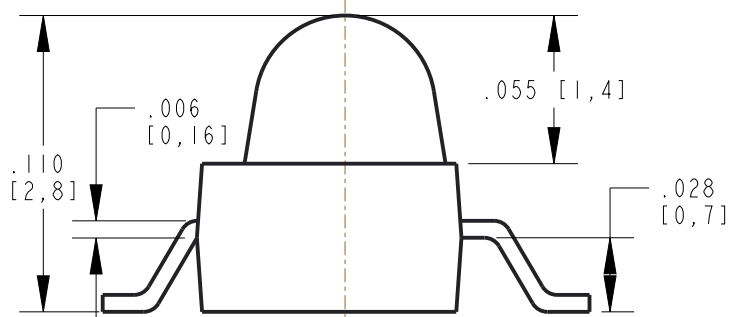
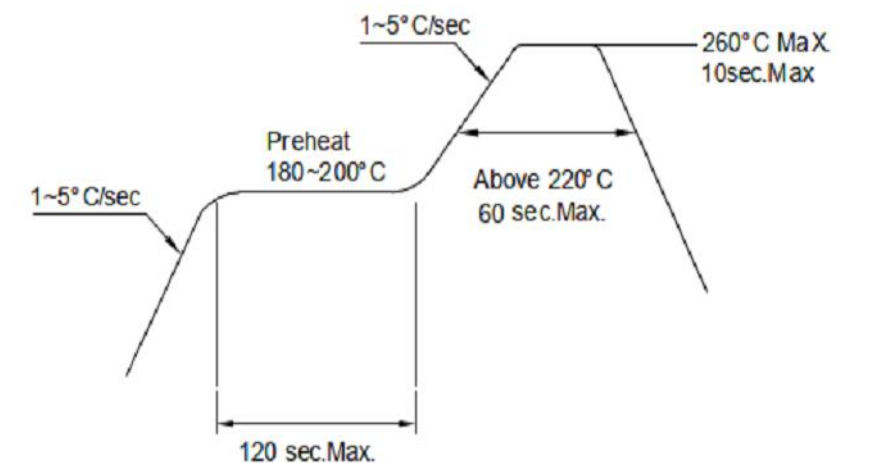
**TAPE DIMENSION (mm)**



**RECOMMENDED WAVE SOLDER PROFILE**



**RECOMMENDED PB-FREE REFLOW SOLDER PROFILE**

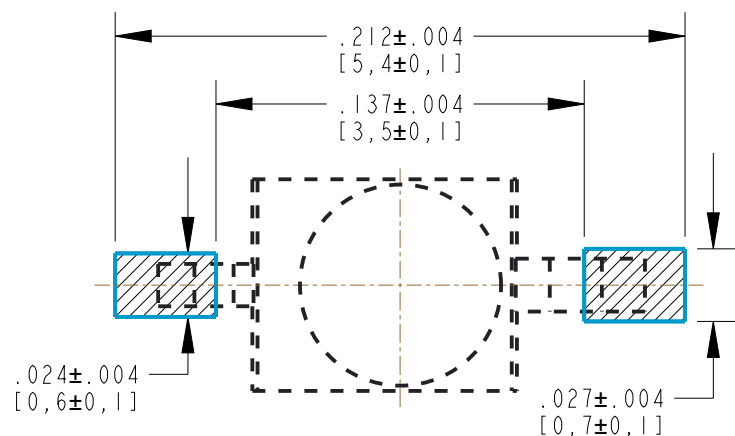


**LED SCHEMATIC**

ABSOLUTE MAXIMUM RATINGS AT 25°C							
LED COLOR	POWER DISSIPATION (mW)	FORWARD CURRENT (mA)	PEAK FORWARD CURRENT *(A)	REVERSE VOLTAGE (V)	ELECTROSTATIC DISCHARGE (V)	OPERATING TEMPERATURE (°C)	STORAGE TEMPERATURE (°C)
IR 850	100	50	1	5	2000	-40 TO +85	-40 TO +85
IR 940	100	50	3	5	2000	-40 TO +85	-40 TO +85

\*PEAK FORWARD CURRENT : 300PPS, 1µS PULSE

ELECTRICAL OPTICAL CHARACTERISTICS AT 25°C													
LED COLOR	TEST CONDITION	RADIANT INTENSITY (mW/sr)			RADIANT INCIDENCE (mW/cm <sup>2</sup> )			PEAK WAVELENGTH (nm)	SPECTRAL LINE HALF-WIDTH (nm)	FORWARD VOLTAGE (V)		REVERSE CURRENT (µA)	VIEWING ANGLE (DEG)
		MIN.	TYP.	MAX.	MIN.	TYP.	MAX.	TYP.	TYP.	TYP.	MAX.	MAX.	TYP.
IR 850	I <sub>F</sub> (mA)	5.0	10.0	20.0	0.71	1.42	2.84	850	50	1.2	1.6	100@5V	20
IR 940	I <sub>F</sub> (mA)	1.6	5.0	12.0	0.22	0.71	1.71	940	50	1.2	1.6		



**RECOMMENDED PAD LAYOUT**



**ATTENTION:**  
OBSERVE PRECAUTIONS FOR  
HANDLING ELECTROSTATIC  
SENSITIVE DEVICES

THIS DRAWING AND THE CONTENTS HEREIN ARE CONFIDENTIAL AND THE SOLE PROPERTY OF DIALIGHT CORP. REPRODUCTION OF THIS DRAWING OR CONSTRUCTION OF ANY PARTS WITHIN THIS DRAWING ARE FORBIDDEN WITHOUT THE WRITTEN CONSENT OF DIALIGHT CORP.		
DIALIGHT CORP INTERNAL REFERENCE ONLY = 3D MODEL : 450052187XX30- .1		
SCALE: 14.000	DRAWING NUMBER	REV
ALL DIM's: INCH (mm)	C-18779	A
TOLERANCES: UNLESS OTHERWISE SPECIFIED	TITLE	
FRACTIONS: ±1/64	1.9mm GULLWING LED	
DECIMALS (.XX): ±.01	MATERIAL	
DECIMALS (.XXX): ±.005	—	
DECIMALS (.XXXX): ±.0005	FINISH	
ANGLES: ±1°	—	
FSCM 83330	Dialight	
	1501 ROUTE 34 SOUTH FARMINGDALE, NJ 07727 (732) 919-3119 www.dialight.com	
SHEET 1 OF 1	FAMILY TABLE:	