

注記 :
NOTES :

- ① 材料及び仕上げ (めっき仕様) : TABLE 1, TABLE 2 参照
MATERIAL AND FINISHES (PLATING SPECIFICATION) : SEE TABLE 1, TABLE 2
- ② 製品仕様書、コネクタ取扱説明書、適合嵌合相手は SHEET 5 をご参照下さい。
PLEASE REFER TO SHEET 5 FOR PRODUCT SPECIFICATION, APPLICATION SPECIFICATION AND MATE WITH.
- ③ 極数 / 2 = 偶数に適用。
APPLY FOR CIRCUIT SIZE / 2 = EVEN.
- 4. 端子テール部及びネイルの平坦度 : 0.12 MAXIMUM.
TAIL AND NAIL COPLANARITY TO BE 0.12 MAXIMUM.
- ⑤ 発注番号 : SHEET5 参照
ORDER NUMBER : PLEASE REFER TO SHEET 5

220201****

極数 CIRCUIT SIZE	番号 NO.	カバーテープ COVER TAPE
7	0	無 WITHOUT
8	1	有 WITH

番号 NO.	ハウジングカラー HOUSING COLOR
0	ナチュラル (白) NATURAL (WHITE)
1	黒 BLACK

29.45	24	31.2	26
27.45	22	29.2	24
25.45	20	27.2	22
23.45	18	25.2	20
21.45	16	23.2	18
19.45	14	21.2	16
17.45	12	19.2	14
15.45	10	17.2	12
13.45	8	15.2	10
11.45	6	13.2	8
9.45	4	11.2	6
7.45	2	9.2	4
C	B	A	極数 CIRCUIT SIZE

① TABLE 1

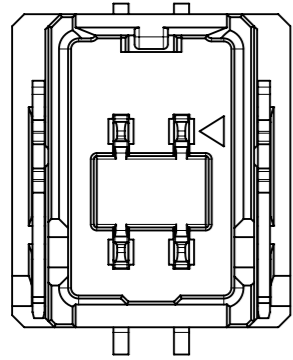
番号 NO.	部品 PART	材質 MATERIAL
①	ハウジング HOUSING	ポリアミド(PA) UL94V-0 色 : SHEET 5参照 POLY AMIDE(PA) UL94V-0 COLOR : SEE SHEET 5
②	ターミナル 及びネイル TERMINAL AND NAIL	黄銅 BRASS 錫めっき : 1.0 MICROMETER MINIMUM MATTE TIN PLATING
③		ニッケルめっき(下地めっき) : 1.0 MICROMETER MINIMUM NICKEL PLATING (UNDER PLATING)
④	カバーテープ COVER TAPE	ポリイミド POLYIMIDE

DOCUMENT STATUS P1 RELEASE DATE 2024/07/31 08:53:10

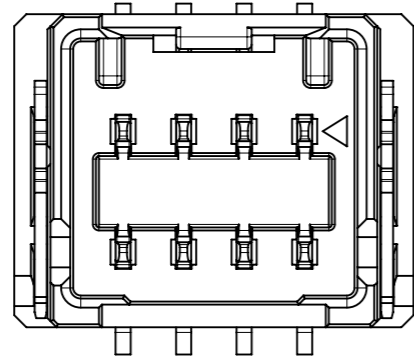
THIS DRAWING CONTAINS INFORMATION THAT IS PROPRIETARY TO MOLEX ELECTRONIC TECHNOLOGIES, LLC AND SHOULD NOT BE USED WITHOUT WRITTEN PERMISSION

DIMENSION UNITS mm	SCALE NTS	CURRENT REV DESC:	
GENERAL TOLERANCES (UNLESS SPECIFIED)		<p style="text-align: center; font-size: 2em; font-weight: bold;">molex</p> <p style="text-align: center;">MICRO-LOCK PLUS 2.0 W/B DUAL ROW VERTICAL SMT PLUG ASSEMBLY TIN PLATING</p> <p style="text-align: center;">PRODUCT CUSTOMER DRAWING</p>	
ANGULAR TOL	± 3.0 °		
4 PLACES	± 0.2		
3 PLACES	± 0.2		
2 PLACES	± 0.2		
1 PLACE	± 0.2	EC NO: 793562	2022/09/22
0 PLACES	± 0.2	DRWN: TENAGASE	2024/07/31
DRAFT WHERE APPLICABLE MUST REMAIN WITHIN DIMENSIONS		THIRD ANGLE PROJECTION	DRAWING A3-SIZE
		SERIES 220201	MATERIAL NUMBER SEE SHEET 5
		CUSTOMER GENERAL	SHEET NUMBER 1 OF 5

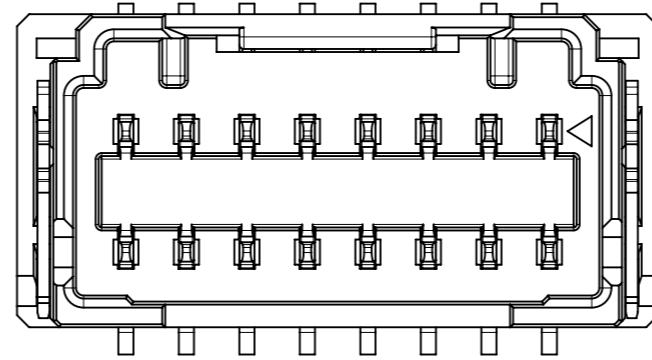
製品形状
PRODUCT SHAPE



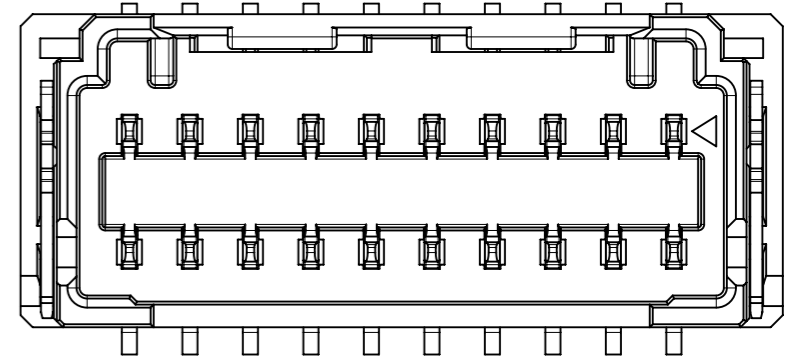
4-6極
4-6 CIRCUIT



8-14極
8-14 CIRCUIT

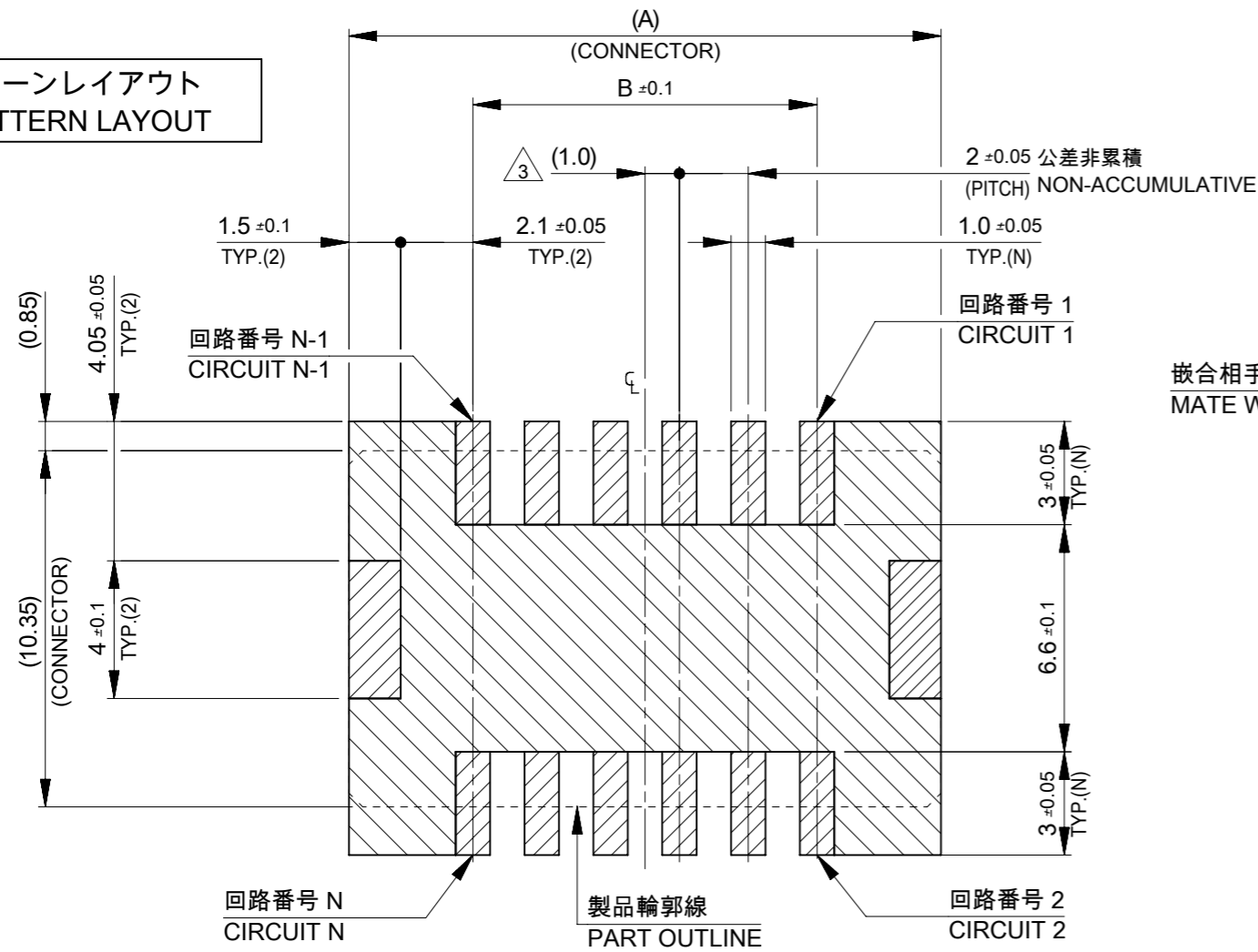


16-18極
16-18 CIRCUIT



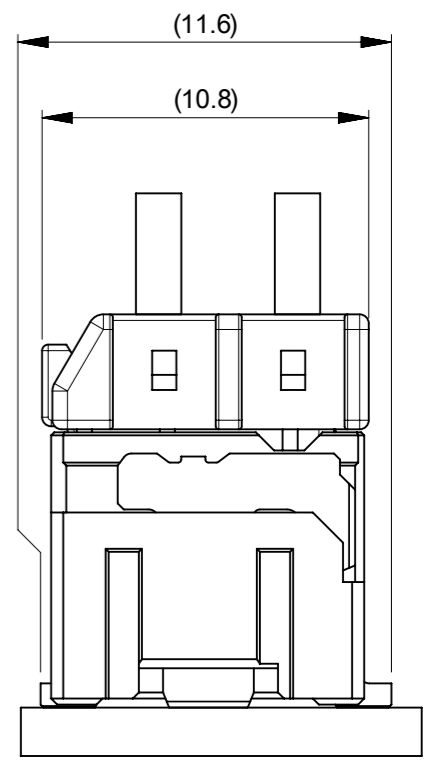
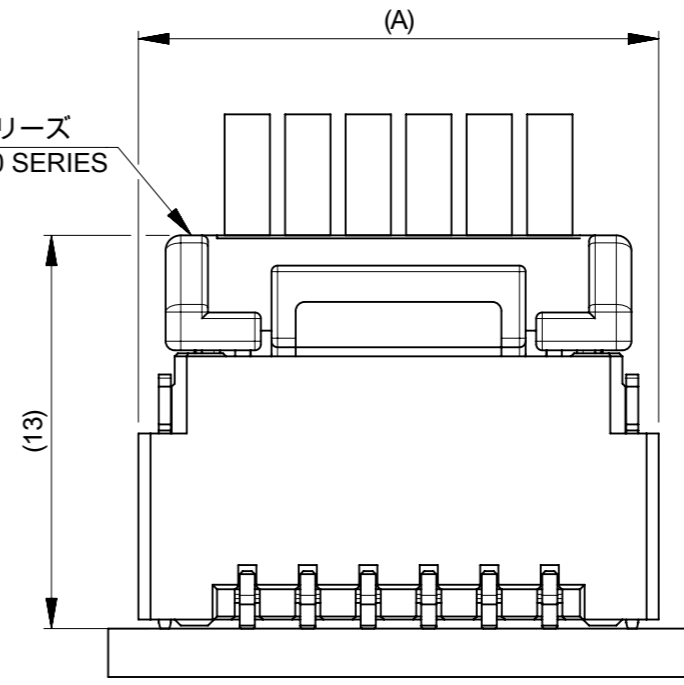
20-26極
20-26 CIRCUIT

基板パターンレイアウト
PCB PATTERN LAYOUT



嵌合状態図
MATED CONNECTOR

嵌合相手 : 220200シリーズ
MATE WITH : 220200 SERIES

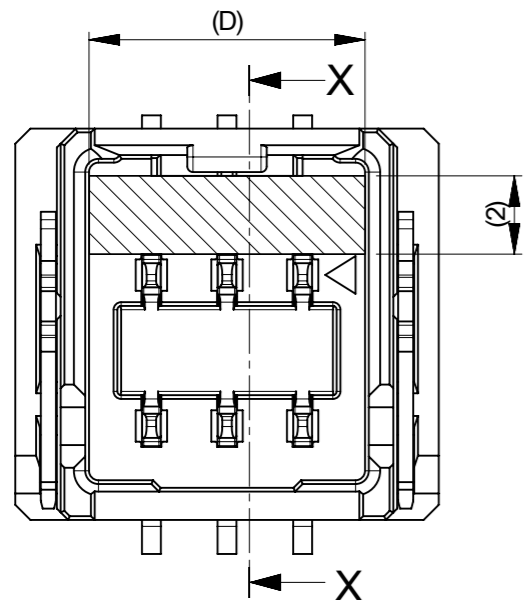


推奨基板レイアウト : 実装面側
(参考 : 基板厚 1.6mm, メタルマスク厚さ 0.15mm, マスク開口率 100%)
RECOMMEND PCB LAYOUT : COMPONENT SIDE
(REFERENCE : PCB THICKNESS 1.6mm, STENCIL THICKNESS 0.15mm, APERTURE RATIO 100%)

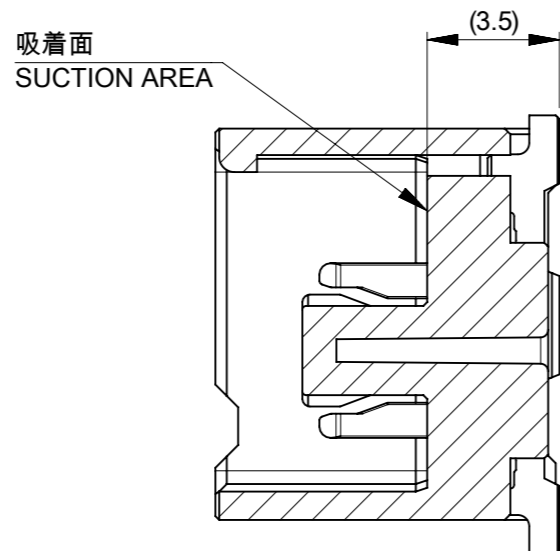
パターン禁止エリア
RESTRICTED AREA
NO PCB COMPONENTS ALLOWED

THIS DRAWING CONTAINS INFORMATION THAT IS PROPRIETARY TO MOLEX ELECTRONIC TECHNOLOGIES, LLC AND SHOULD NOT BE USED WITHOUT WRITTEN PERMISSION									
DIMENSION UNITS		SCALE		CURRENT REV DESC:					
mm		NTS		<p>molex</p> <p>MICRO-LOCK PLUS 2.0 W/B DUAL ROW VERTICAL SMT PLUG ASSEMBLY TIN PLATING</p> <p>PRODUCT CUSTOMER DRAWING</p> <p>DOCUMENT NUMBER: 2202010000-SD DOC TYPE: PSD DOC PART: 000 REVISION: A</p> <p>SHEET NUMBER: 2 OF 5</p>					
GENERAL TOLERANCES (UNLESS SPECIFIED)									
ANGULAR TOL ± 3.0°									
4 PLACES ± 0.2		EC NO: 793562							
3 PLACES ± 0.2		DRWN: TENAGASE 2022/09/22							
2 PLACES ± 0.2		CHK'D: SAKIYAMA 2024/07/31							
1 PLACE ± 0.2		APPR: AIDA 2024/07/31							
0 PLACES ± 0.2		INITIAL REVISION:							
DRAFT WHERE APPLICABLE MUST REMAIN WITHIN DIMENSIONS		DRWN: TENAGASE 2022/09/22		SERIES: 220201		MATERIAL NUMBER: SEE SHEET 5		CUSTOMER: GENERAL	
THIRD ANGLE PROJECTION		DRAWING: A3-SIZE		SERIES: 220201		MATERIAL NUMBER: SEE SHEET 5		CUSTOMER: GENERAL	

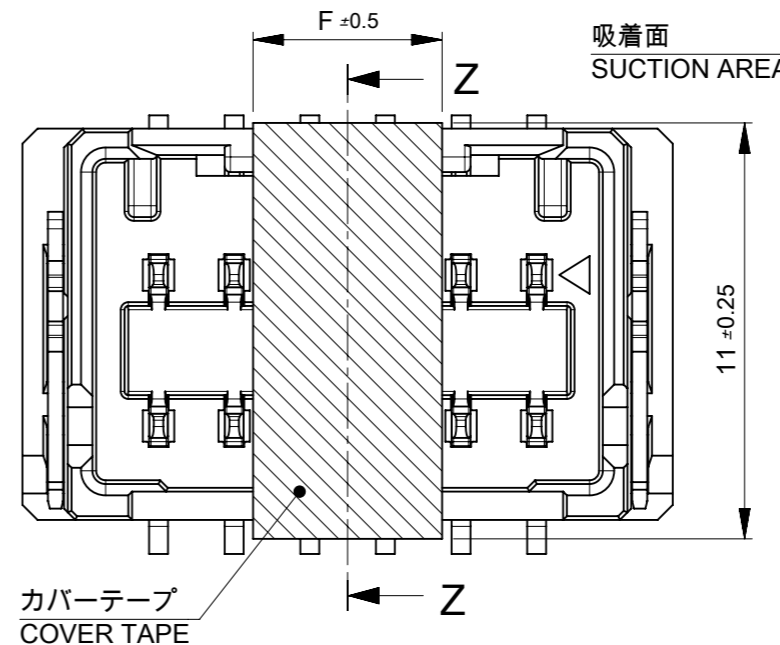
吸着エリア
SUCTION AREA



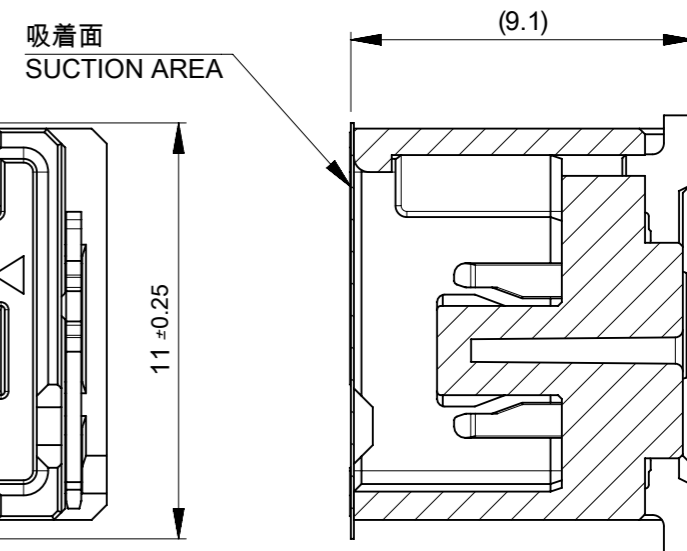
220201**7*
カバーテープ無し
WITHOUT COVER TAPE
(4-6 CIRCUIT)



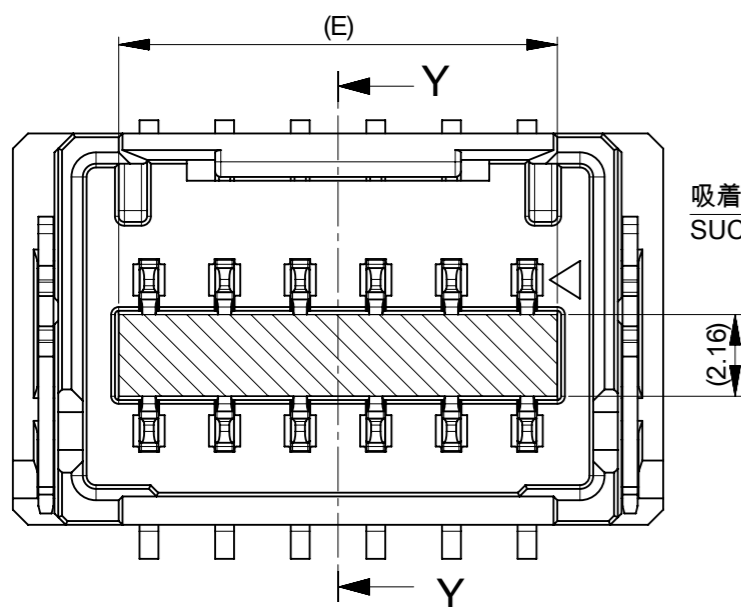
SECTION X-X



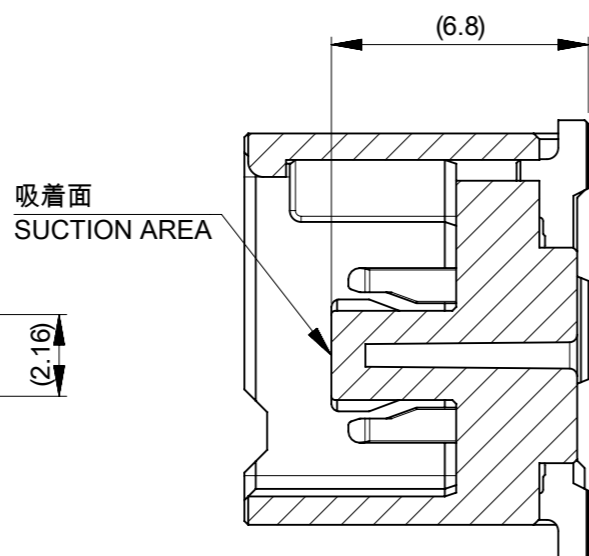
220201**8*
カバーテープ有り
WITH COVER TAPE
(4-26 CIRCUIT)



SECTION Z-Z



220201**7*
カバーテープ無し
WITHOUT COVER TAPE
(8-26 CIRCUIT)



SECTION Y-Y

7	25.6	---	26	
	23.6		24	
	21.6		22	
	19.6		20	
	17.6		18	
5	15.6	---	16	
	13.6		14	
	11.6		12	
	9.6		10	
4	7.6	---	8	
	---		7.3	6
			5.3	4
F	E	D	極数 CIRCUIT SIZE	

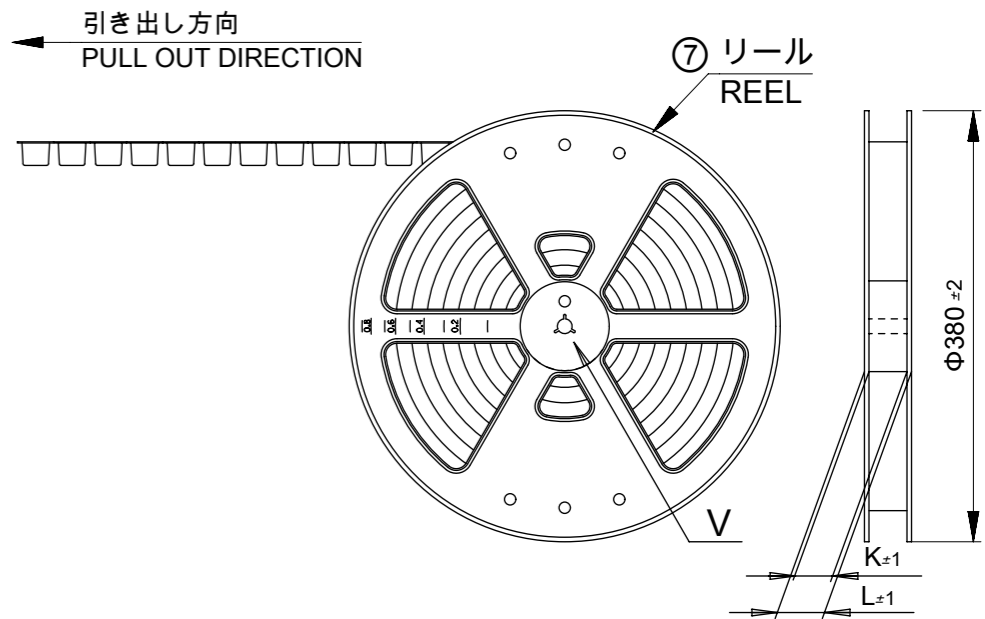
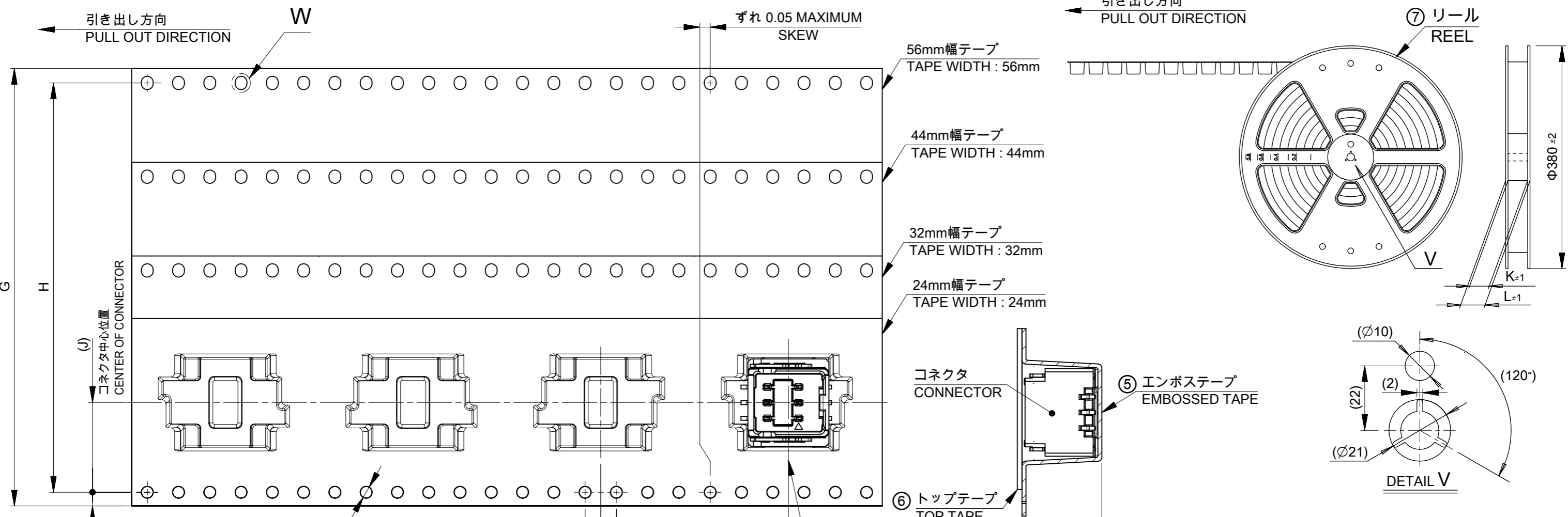
THIS DRAWING CONTAINS INFORMATION THAT IS PROPRIETARY TO MOLEX ELECTRONIC TECHNOLOGIES, LLC AND SHOULD NOT BE USED WITHOUT WRITTEN PERMISSION									
DIMENSION UNITS		SCALE		CURRENT REV DESC:					
mm		NTS							
GENERAL TOLERANCES (UNLESS SPECIFIED)				EC NO: 793562					
ANGULAR TOL ± 3.0 °				4 PLACES ± 0.2		DRWN: TENAGASE		2022/09/22	
3 PLACES ± 0.2				CHK'D: SAKIYAMA		2024/07/31			
2 PLACES ± 0.2				APPR: AIDA		2024/07/31			
1 PLACE ± 0.2				INITIAL REVISION:					
0 PLACES ± 0.2				DRWN: TENAGASE		2022/09/22		DOCUMENT NUMBER	
DRAFT WHERE APPLICABLE MUST REMAIN WITHIN DIMENSIONS				THIRD ANGLE PROJECTION		DRAWING		SERIES	
		A3-SIZE		220201		MATERIAL NUMBER		CUSTOMER	
		SEE SHEET 5		GENERAL		SHEET NUMBER		3 OF 5	

molex

MICRO-LOCK PLUS 2.0 W/B
DUAL ROW VERTICAL SMT PLUG ASSEMBLY
TIN PLATING

PRODUCT CUSTOMER DRAWING

2202010000-SD PSD 000 A



- 注記 :
NOTES :
- 梱包数量 : 380個
NUMBER OF CONNECTIONS : 380 PIECES/REEL.
 - トップテープの剥離強度については、IEC60286-3に準拠
TOP TAPE PEEL FORCE IS DEFINED BY IEC 60286-3.
 - リードテープ長さ
LEAD TAPE LENGTH

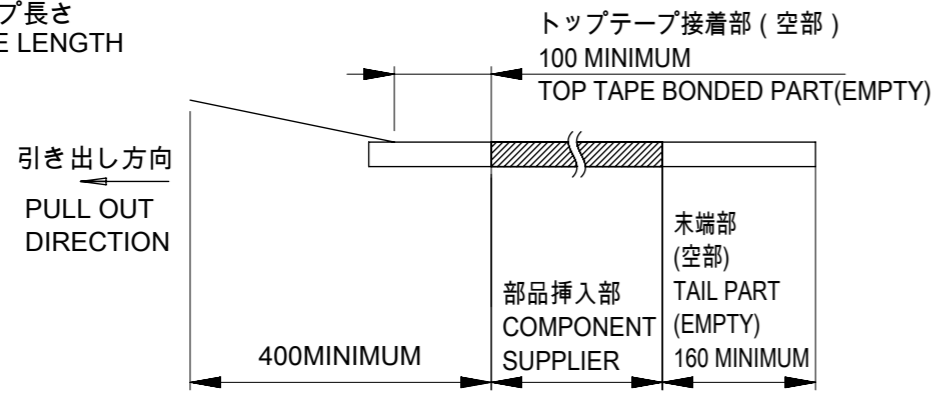
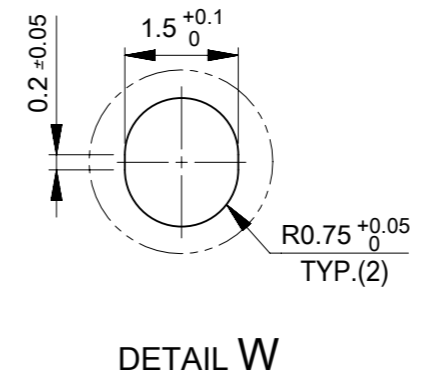


TABLE 2

番号 NO.	部品 PART	材質 MATERIAL
⑤	エンボステープ EMBOSSSED TAPE	ポリスチレン(PS) POLYSTYRENE(PS)
⑥	トップテープ TOP TAPE	ポリエチレン(PE)、その他 POLYETHYLENE(PE), OTHER
⑦	リール REEL	ポリスチレン(PS) <リサイクル材を含む> POLYSTYRENE(PS) <RECYCLE MATERIAL CONTAINED >

61.4	57.4	26.2	52.4	56 ±0.3	26
					24
					22
49.4	45.4	20.2	40.4	44 ±0.3	20
					18
					16
					14
37.4	33.4	14.2	28.4	32 ±0.3	12
					10
					8
29.4	25.4	11.5	---	24 ^{+0.3} _{-0.1}	6
					4
L	K	J	H	G	極数 CIRCUIT SIZE



THIS DRAWING CONTAINS INFORMATION THAT IS PROPRIETARY TO MOLEX ELECTRONIC TECHNOLOGIES, LLC AND SHOULD NOT BE USED WITHOUT WRITTEN PERMISSION

DIMENSION UNITS	SCALE	CURRENT REV DESC:	
mm	NTS		
GENERAL TOLERANCES (UNLESS SPECIFIED)			
ANGULAR TOL	± 3.0 °		
4 PLACES	± 0.2	EC NO: 793562	
3 PLACES	± 0.2	DRWN: TENAGASE	2022/09/22
2 PLACES	± 0.2	CHK'D: SAKIYAMA	2024/07/31
1 PLACE	± 0.2	APPR: AIDA	2024/07/31
0 PLACES	± 0.2	INITIAL REVISION:	
DRAFT WHERE APPLICABLE MUST REMAIN WITHIN DIMENSIONS		DRWN: TENAGASE	2022/09/22
		APPR: AIDA	2024/07/31
THIRD ANGLE PROJECTION		DRAWING	SERIES
		A3-SIZE	220201
MATERIAL NUMBER		CUSTOMER	SHEET NUMBER
2202010000-SD		GENERAL	4 OF 5
DOCUMENT NUMBER		DOC TYPE	DOC PART
2202010000-SD		PSD	000
REVISION			
A			

molex

MICRO-LOCK PLUS 2.0 W/B
DUAL ROW VERTICAL SMT PLUG ASSEMBLY
TIN PLATING



PRODUCT CUSTOMER DRAWING

△ 2 適合製品及び各種仕様書 APPLICABLE PRODUCTS AND VARIOUS SPECIFICATIONS

梱包仕様書 PACKAGING SPECIFICATION	2202019200-SPK PS 200
適合嵌合相手シリーズ番号 MATE WITH SERIES NUMBER	220200
製品仕様書 PRODUCT SPECIFICATION	2202000000-PS PS 000
コネクタ取扱説明書 APPLICATION SPECIFICATION	2166940000-AS PS 000

△ 5 220201**** 発注番号一覧 ORDER NUMBER LIST

WITH		WITHOUT		COVER TAPE
BLACK	NATURAL (WHITE)	BLACK	NATURAL (WHITE)	HOUSING COLOR
2202012681	2202012680	2202012671	2202012670	26
2202012481	2202012480	2202012471	2202012470	24
2202012281	2202012280	2202012271	2202012270	22
2202012081	2202012080	2202012071	2202012070	20
2202011881	2202011880	2202011871	2202011870	18
2202011681	2202011680	2202011671	2202011670	16
2202011481	2202011480	2202011471	2202011470	14
2202011281	2202011280	2202011271	2202011270	12
2202011081	2202011080	2202011071	2202011070	10
2202010881	2202010880	2202010871	2202010870	8
2202010681	2202010680	2202010671	2202010670	6
2202010481	2202010480	2202010471	2202010470	4
発注番号 ORDER NUMBER				極数 CIRCUIT SIZE
梱包形態：エンボステープ梱包 PACKAGING：EMBOSSSED TAPE AND REEL				

THIS DRAWING CONTAINS INFORMATION THAT IS PROPRIETARY TO MOLEX ELECTRONIC TECHNOLOGIES, LLC AND SHOULD NOT BE USED WITHOUT WRITTEN PERMISSION									
DIMENSION UNITS	SCALE	CURRENT REV DESC:			 MICRO-LOCK PLUS 2.0 W/B DUAL ROW VERTICAL SMT PLUG ASSEMBLY TIN PLATING				
mm	NTS								
GENERAL TOLERANCES (UNLESS SPECIFIED)		EC NO: 793562			DOCUMENT NUMBER				
ANGULAR TOL ± 3.0 °		DRWN: TENAGASE 2022/09/22			2202010000-SD				
4 PLACES ± 0.2		CHK'D: SAKIYAMA 2024/07/31			DOC TYPE				
3 PLACES ± 0.2		APPR: AIDA 2024/07/31			PSD				
2 PLACES ± 0.2		INITIAL REVISION:			DOC PART				
1 PLACE ± 0.2		DRWN: TENAGASE 2022/09/22			000				
0 PLACES ± 0.2		APPR: AIDA 2024/07/31			A				
DRAFT WHERE APPLICABLE MUST REMAIN WITHIN DIMENSIONS		THIRD ANGLE PROJECTION	DRAWING	SERIES	MATERIAL NUMBER	CUSTOMER		SHEET NUMBER	
			A3-SIZE	220201	SEE CHART	GENERAL		5 OF 5	