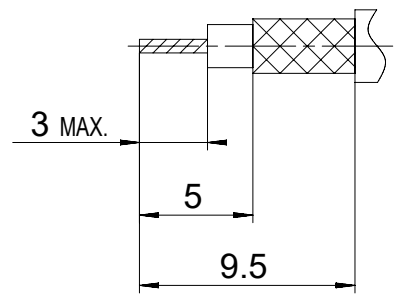


RoHS compliant  
by exemption

Crimping tools see document 2195600660  
Cable RG178BU, RG196AU, RG404U

1731120934	FMX005P101	101
1731120046	FMX005P102	102
1731140038	FMX005P128	128
1731121061	FMX005P202	202
Material Number	FCT Part Number	Material + Finish See extra sheet

Cable trimming dimensions



UNLESS OTHERWISE SPECIFIED DIMENSIONS FOR REFERENCE ONLY				REPLACEMENT FOR DOCUMENT NUMBER: FMX005P			
THIS DRAWING CONTAINS INFORMATION THAT IS PROPRIETARY TO MOLEX ELECTRONIC TECHNOLOGIES, LLC AND SHOULD NOT BE USED WITHOUT WRITTEN PERMISSION							
FUNCTIONAL SYMBOLS	DIMENSION UNITS	SCALE	CURRENT REV DESC:				
$\frac{F}{A} = 0$	mm	5:1	EC NO: 710219				
$\frac{F}{E} = 0$	GENERAL TOLERANCES (UNLESS SPECIFIED)		DRWN: VLOKESHA 2021/04/22				
$\frac{F}{P} = 0$	ANGULAR TOL ± °		CHK'D: MTEUBEL 2022/06/22				
DIVISIONAL SYMBOLS	4 PLACES	±	APPR: MTEUBEL 2022/06/22				
	3 PLACES	±	INITIAL REVISION:				
	2 PLACES	±	DRWN: VLOKESHA 2021/04/22				
	1 PLACE	±	APPR: MTEUBEL 2022/06/22				
	0 PLACES	±	DRAFT WHERE APPLICABLE MUST REMAIN WITHIN DIMENSIONS				
	FIRST ANGLE PROJECTION	DRAWING	SERIES	MATERIAL NUMBER	CUSTOMER	SHEET NUMBER	
		A4-SIZE	173112	SEE TABLE	GENERAL MARKET	1 OF 1	

**molex**

FCT 50 OHM COAXIAL CONTACT FOR D-SUB

PRODUCT CUSTOMER DRAWING

DOCUMENT NUMBER	DOC TYPE	DOC PART	REVISION
1731120934	PSD	000	A