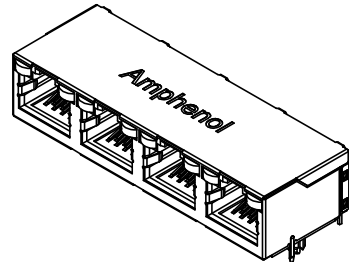
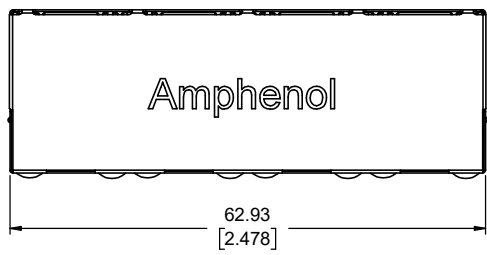
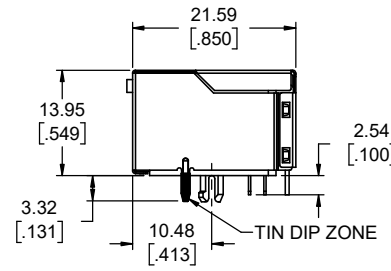
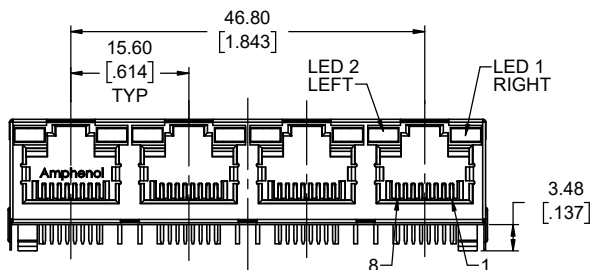


REVISIONS			
REV	DESCRIPTION, ECN, EAR NO.	DATE	APP'D
A	INITIAL RELEASE	MAR13/24	K.T



- NOTES:**
ELECTRICAL:
 1. VOLTAGE RATING: 125 VAC.
 2. CURRENT RATING: 1.25 AMPS PER CONTACT.
 3. INSULATING RESISTANCE: 500 MEGAOHMS MINIMUM.
 4. DIELECTRIC STRENGTH: 1000 VAC 60Hz, 1MIN.
 5. CATEGORY 5e CHARACTERISTIC

FREQUENCY MHZ	NEAR-END CROSSTALK dB, MIN.	RETURN LOSS dB, MIN.	INSERTION LOSS dB, MAX.
1.0	65.0	30.0	0.1
4.0	65.0	30.0	0.1
8.0	64.9	30.0	0.1
10.0	63.0	30.0	0.1
16.0	58.9	30.0	0.2
20.0	57.0	30.0	0.2
25.0	55.0	30.0	0.2
31.25	53.1	30.0	0.2
62.5	47.1	24.1	0.3
100.0	43.0	20.0	0.4



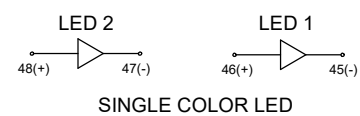
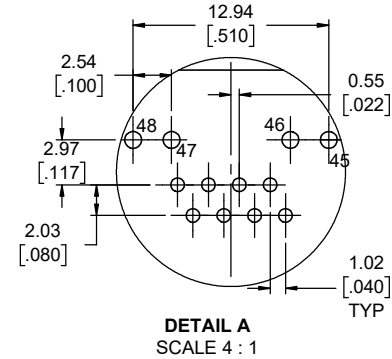
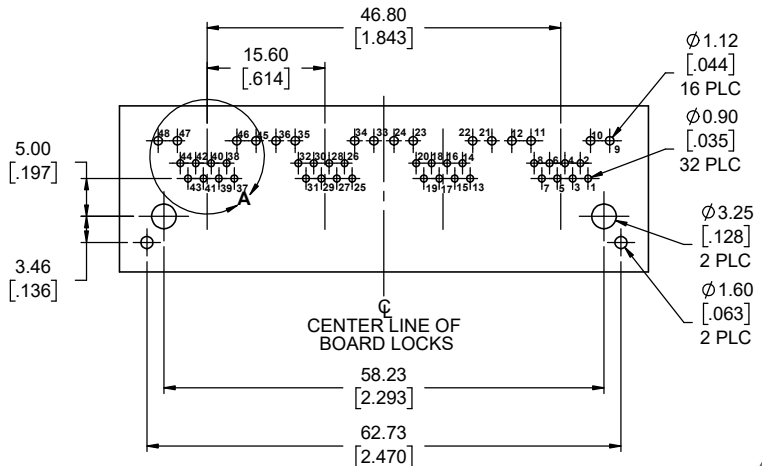
- MECHANICAL:**
 1. SHIELD: STAINLESS STEEL WITH TIN-DIP ON SOLDER TABS
 2. HOUSING: THERMOPLASTIC, UL 94V-0, BLACK
 3. CONTACT: PHOSPHOR BRONZE, SELECTIVE GOLD PLATING ON MATING SURFACE, 50µ" MIN. NICKEL UNDERPLATE, 100µ" MATTE TIN PLATING ON CONTACT SOLDER TAIL.

- ENVIRONMENTAL:**
 1. STORAGE : -40 °C TO +85°C
 2. OPERATION: -40 °C TO +85°C
 3. MATES WITH MODULAR PLUG CONFORMING TO TIA 1096 STANDARD.
 4. RECOMMENDED SOLDER PROCESS: WAVE SOLDER, PEAK TEMPERATURE 260°C FOR 5-8 SECONDS

RJ CONNECTOR CONFORMS TIA-1096
 AMPHENOL PART NUMBER DESCRIPTION: RJE58-488-6XX1

GOLD PLATING OPTION
 1=6µ" GOLD PLATING
 2=15µ" MIN GOLD PLATING
 3=30µ" MIN GOLD PLATING
 4=50µ" MIN GOLD PLATING

LED COLOR CODE
 SEE PAGE 2



RECOMMENDED PCB LAYOUT TOLERANCE: ±0.05[0.002]



UNLESS SPECIFIED OTHERWISE	DRAWN	J.CHEN	MAR13/24
PRIMARY UNITS MILLIMETERS	CHECKED	K.TANG	MAR13/24
SECONDARY INCHES	M.E.	APP'D	
REFERENCE IN PARENTHESES	Q.A.	APP'D	
GENERAL TOLERANCES	DWG APPR.		
1 DECIMAL PLACE	ENG. REL. NO.	EAR 15463	
2 DECIMAL PLACES ±0.25	REF.		
3 DECIMAL PLACES ±0.15	THIRD ANGLE PROJECTION		
ANGULAR DEGREES ±2°	DO NOT SCALE DRAWING		

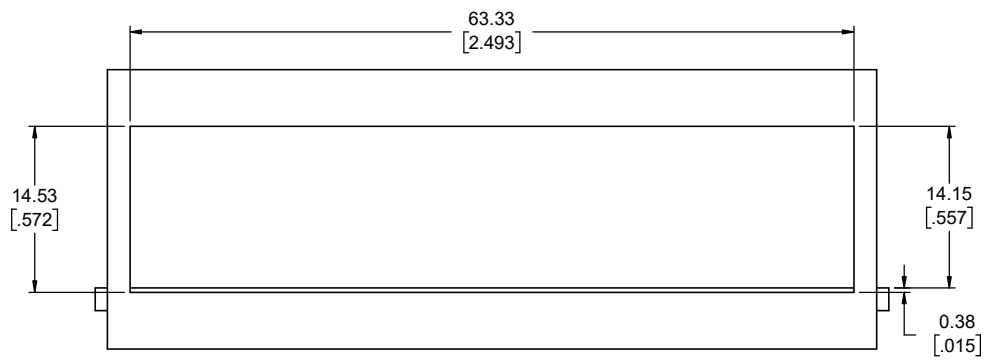
Amphenol Canada Corp.
 Commercial Products

MODULAR JACK, 1X4 PORTS, 8 POSITIONS, 8 CONTACTS, SHIELDED WITHOUT TABS, WITH LEADS, TAB UP, CAT 5e, RoHS COMPLIANT

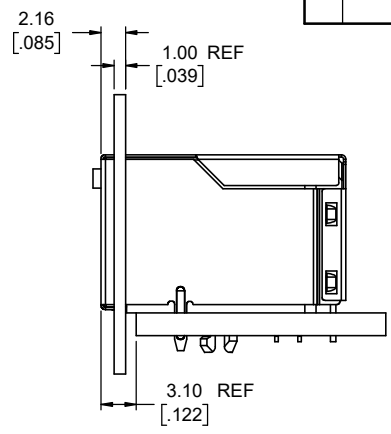
DWG. NO. **P-RJE58-488-6XX1** REV **A**

CODE ID NO. 03554 DWG SIZE: N/A SCALE: FIT SHEET 1 OF 2

REVISIONS			
REV	DESCRIPTION, ECN, EAR NO.	DATE	APP'D
A	INITIAL RELEASE	MAR13/24	K.T



RECOMMENDED PANEL CUTOUT



LED ORDERING CODE:

CODE	LED 2 (LEFT)	LED 1 (RIGHT)	CODE	LED 2 (LEFT)	LED 1 (RIGHT)	CODE	LED 2 (LEFT)	LED 1 (RIGHT)
0	BLOCKED	BLOCKED	9	GREEN	BLOCKED	J	BiC RD/GR	YELLOW
1	YELLOW	GREEN	A	BiC GR/YE	BiC GR/YE	K	YELLOW	BiC GR/OR
2	BLOCKED	GREEN	B	BiC RD/GR	BiC RD/GR	L	BiC GR/YE	RED
3	YELLOW	BLOCKED	C	BiC RD/GR	BiC GR/YE	M	RED	YELLOW
4	GREEN	YELLOW	D	GREEN	BiC GR/YE	N	BiC GR/RD	BiC GR/YE
5	GREEN	GREEN	E	YELLOW	BiC GR/YE	P	GREEN	BiC GR/RD
6	YELLOW	YELLOW	F	BiC GR/YE	YELLOW	R	BiC GR/OR	GREEN
7	RED	GREEN	G	BiC GR/OR	BiC GR/OR	T	RED	RED
8	GREEN	RED	H	BiC GR/YE	GREEN	V	BiC RD/GR	GREEN

LED SPECIFICATIONS:
 FORWARD VOLTAGE: 1.6 VOLTS TYP.
 REVERSE VOLTAGE: 5.0 VOLTS MAX.
 LUMINOUS INTENSITY: 0.4 mCd MIN.
 (AT IF=2mA)
 STORAGE TEMPERATURE: -40° TO 85° C
 PLATING ON TAILS: TIN OR TIN/COPPER ALLOY OVER SILVER

LEGEND
 BiC=BI-COLOR LED
 LOWC=LOW CURRENT LED
 YE=YELLOW
 GR=GREEN
 RE=RED
 OR=ORANGE

PRIMARY COLOR FOR BI-COLOR LEDS IN STANDARD ANODE/CATHODE CONFIGURATION IS:
 RED-GREEN= RED
 RED-YELLOW= RED
 GREEN-YELLOW= GREEN
 GREEN-ORANGE= GREEN

NOTE:
 THE TWO DIGITS PRECEDING THE ADDITIONAL LED CODE MUST BE USED IN THE PART NUMBER, WHEN ORDERING ANY OF THE ADDITIONAL LED OPTIONS.

EXAMPLE OF ADDITIONAL LED OPTIONS:

RJE58-488-64W1-0X
 ADDITIONAL LED COLOR CODE
 ONLY USED FOR "W" OPTIONS USED IN FIRST LED CODE
 DENOTES ADDITIONAL OPTIONS TO BE USED

CODE	LED 2 (LEFT)	LED 1 (RIGHT)	CODE	LED 2 (LEFT)	LED 1 (RIGHT)	CODE	LED 2 (LEFT)	LED 1 (RIGHT)
0	DO NOT USE	BLOCKED	5	BLOCKED	YELLOW	A	LOWC YE	LOWC YE
1	RED	BLOCKED	6	RED	BiC RD/GR	B	LOWC YE	LOWC GR
2	BiC GR/OR	YELLOW	7	BLOCKED	BiC RD/GR	C	LOWC GR	LOWC YE
3	YELLOW	RED	8	BiC RD/GR	BLOCKED	D	LOWC GR	LOWC GR
4	BLOCKED	RED	9	BiC GR/YE	BLOCKED	M	LOWC RD	LOWC YE
						E	GREEN	ORANGE
						F	ORANGE	GREEN
						G	BiC OR/GR	BiC OR/GR
						H	BiC GR/OR	ORANGE

TRAY PACKING INFORMATION		
CONNECTORS PER TRAY	TRAYS PER CARTON	TOTAL CONNECTORS PER CARTON
20PCS	22PCS	440PCS



UNLESS SPECIFIED OTHERWISE	DRAWN	J.CHEN	MAR13/24
PRIMARY UNITS MILLIMETERS	CHECKED	K.TANG	MAR13/24
SECONDARY INCHES	M.E.	APP'D	
REFERENCE IN PARENTHESES	Q.A.	APP'D	
GENERAL TOLERANCES	DWG APPR.		
1 DECIMAL PLACE	ENG. REL. NO.	EAR 15463	
2 DECIMAL PLACES ±0.25	REF.		
3 DECIMAL PLACES ±0.15	THIRD ANGLE PROJECTION		
ANGULAR DEGREES ±2°	DO NOT SCALE DRAWING		

Amphenol Canada Corp.
 Commercial Products

MODULAR JACK, 1X4 PORTS, 8 POSITIONS, 8 CONTACTS, SHIELDED WITHOUT TABS, WITH LEADS, TAB UP, CAT 5e, RoHS COMPLIANT

DWG. NO. **P-RJE58-488-6XX1** REV **A**

CODE ID NO. 03554 DWG SIZE: N/A SCALE: FIT SHEET 2 OF 2