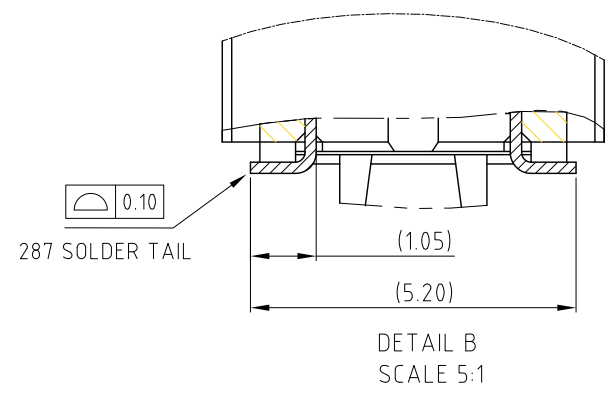
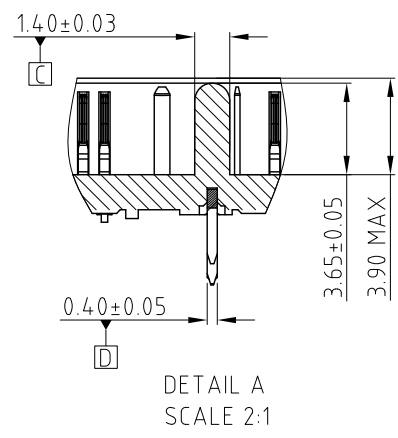
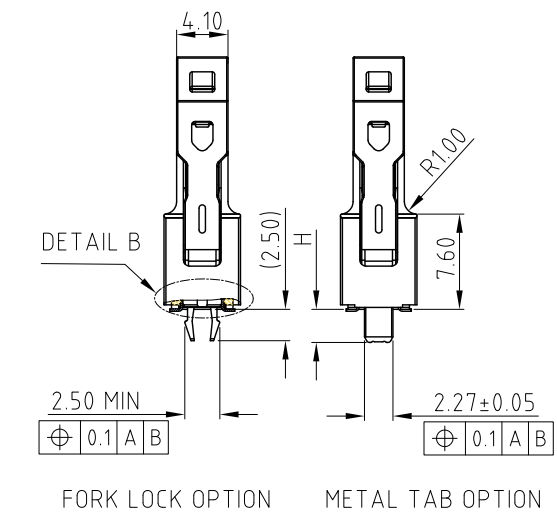
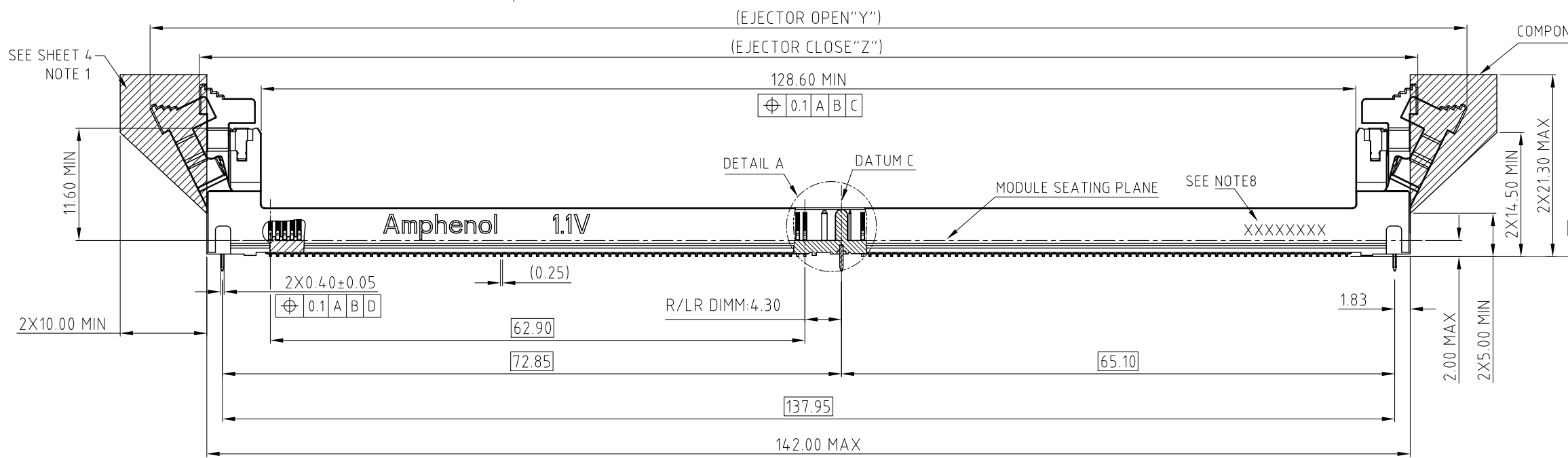
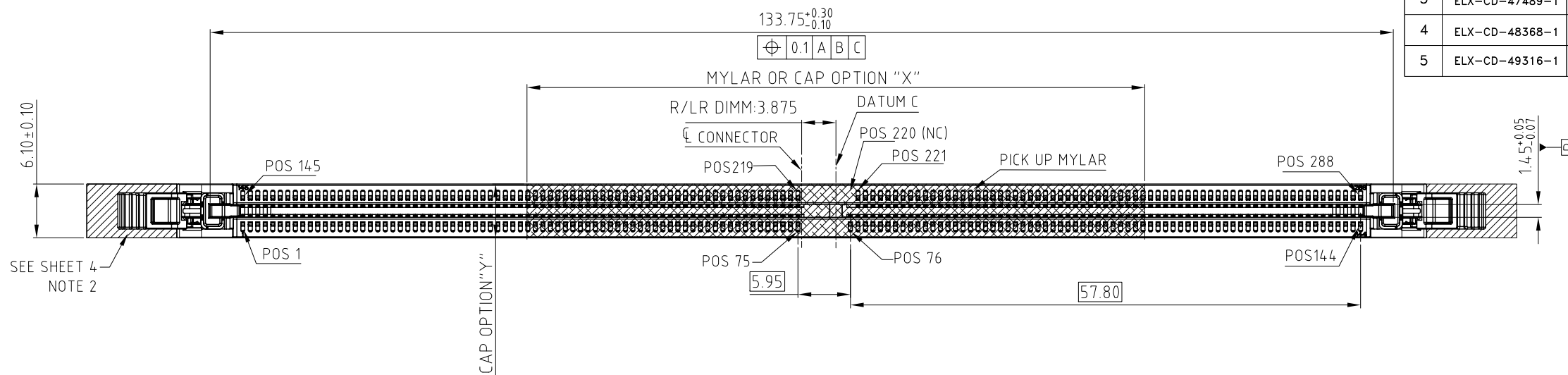


This document is the property of Amphenol Corporation and is delivered on the express condition that it is not to be disclosed, reproduced or used, in whole or in part, for manufacture or sale by anyone other than Amphenol Corporation without its prior consent, & that no right is granted to disclose or to use any information in this document.

CUSTOMER DRAWING

REVISIONS				
SYM	ECN	DESCRIPTION	DATE	APPROVED
2	ELX-CD-46622-1	UPDATE THE EJECTOR DIMENSION "Y", "Z".	Jan.13,2023	YH
3	ELX-CD-47489-1	UPDATE PIN NUMBER MARK	Feb.28,2023	YH
4	ELX-CD-48368-1	ADD D/C PRINT MARKING, UPDATE DDR5 MODULE	May.31,2023	YH
5	ELX-CD-49316-1	CHANGE THE 40MM LENGTH MYLAR TO 50MM	Sep,26,2023	YH



ITEM	EJECTOR OPEN DIMENSION "Y"	EJECTOR CLOSE DIMENSION "Z"	EJECTOR FIGURE
NARROW STANDARD LATCH	156.00 MAX	144.00 MAX	

UNLESS OTHERWISE SPECIFIED TOLERANCES

	U.S.	METRIC
.X +/-		0.35
.XX +/-		0.25
.XXX +/-		0.15
FRACTIONS +/-		
ANGLES +/-		3°

FOR MATERIALS AND FINISHES SEE NOTES

REMOVE SHARP EDGES

DIMENSIONS

U.S.	INCHES
(METRIC)	(MM)

APPROVAL		DATE
DRAWN	Henry.he	Sep,26,2023
CHECKED		
CHECKED		

DRAWING FILE :  
DRAWING\DDR\CDDR516XXXXXXX

ANGLE OF PROJECTION

**Amphenol**

TITLE: DDR5 287P R/LR DIMM CONNECTOR

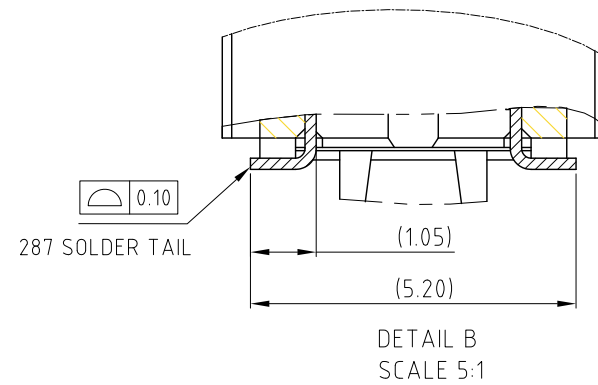
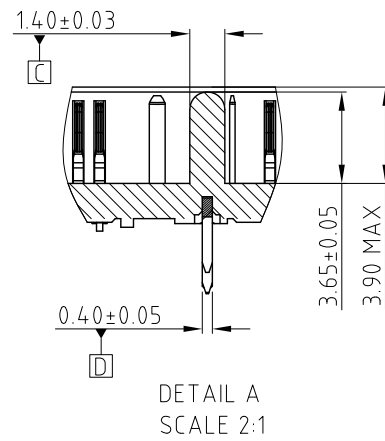
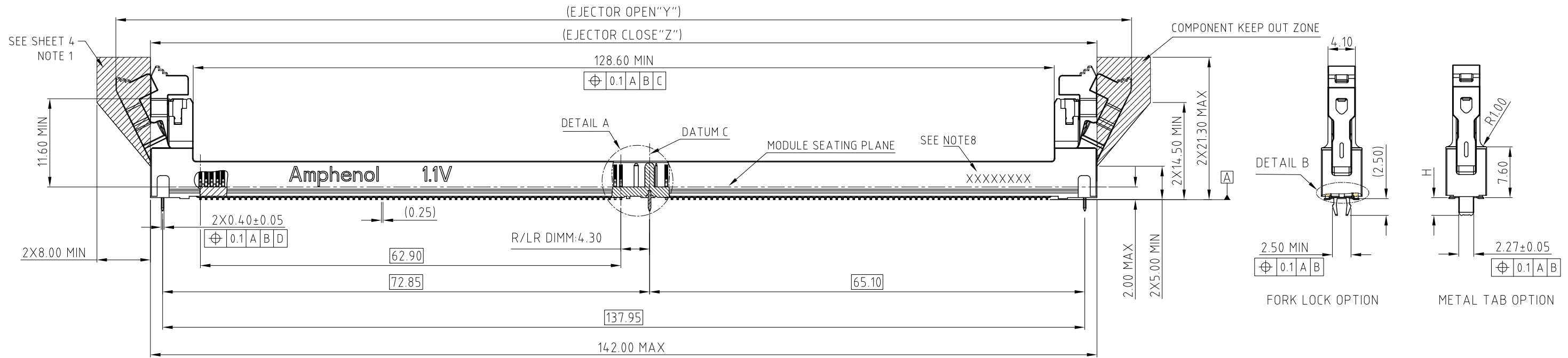
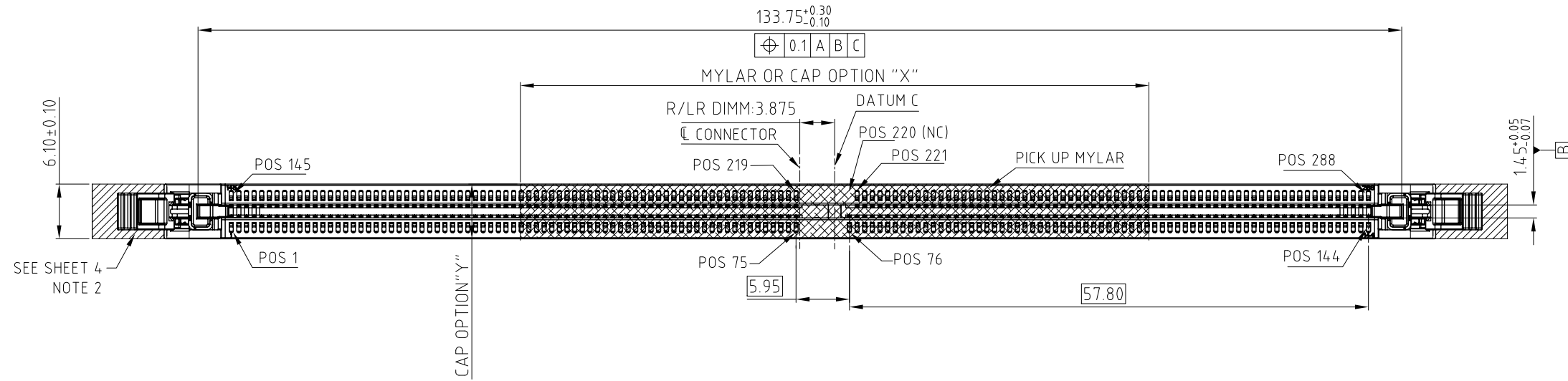
SIZE	DRAWING NO.	REV.
A3	C DDR516XXXXXXX	5

SCALE: NONE SHEET 1 OF 6

This document is the property of Amphenol Corporation and is delivered on the express condition that it is not to be disclosed, reproduced or used, in whole or in part, for manufacture or sale by anyone other than Amphenol Corporation without its prior consent, & that no right is granted to disclose or to use any information in this document.

CUSTOMER DRAWING

REVISIONS				
SYM	ECN	DESCRIPTION	DATE	APPROVED
		SEE SHEET 1		



ITEM	EJECTOR OPEN DIMENSION "Y"	EJECTOR CLOSE DIMENSION "Z"	EJECTOR FIGURE
NARROW SHORT LATCH	153.00 MAX	142.00 MAX	

UNLESS OTHERWISE SPECIFIED TOLERANCES		APPROVAL		DATE		Amphenol	
U.S. METRIC		DRAWN Henry.he		Sep,26,2023			
.X +/- 0.35		CHECKED				TITLE DDR5 287P R/LR DIMM CONNECTOR	
.XX +/- 0.25		CHECKED					
.XXX +/- 0.15		DRAWING FILE : DRAWING\DDR\CDDR516XXXXXXX				SIZE DRAWING NO. REV.	
FRACTIONS +/-		REMOVE SHARP EDGES		ANGLE OF PROJECTION		A3 C DDR516XXXXXXX 5	
ANGLES +/- 3°		DIMENSIONS				SCALE NONE SHEET 2 OF 6	
FOR MATERIALS AND FINISHES SEE NOTES		U.S. INCHES					
		(METRIC) (MM)					

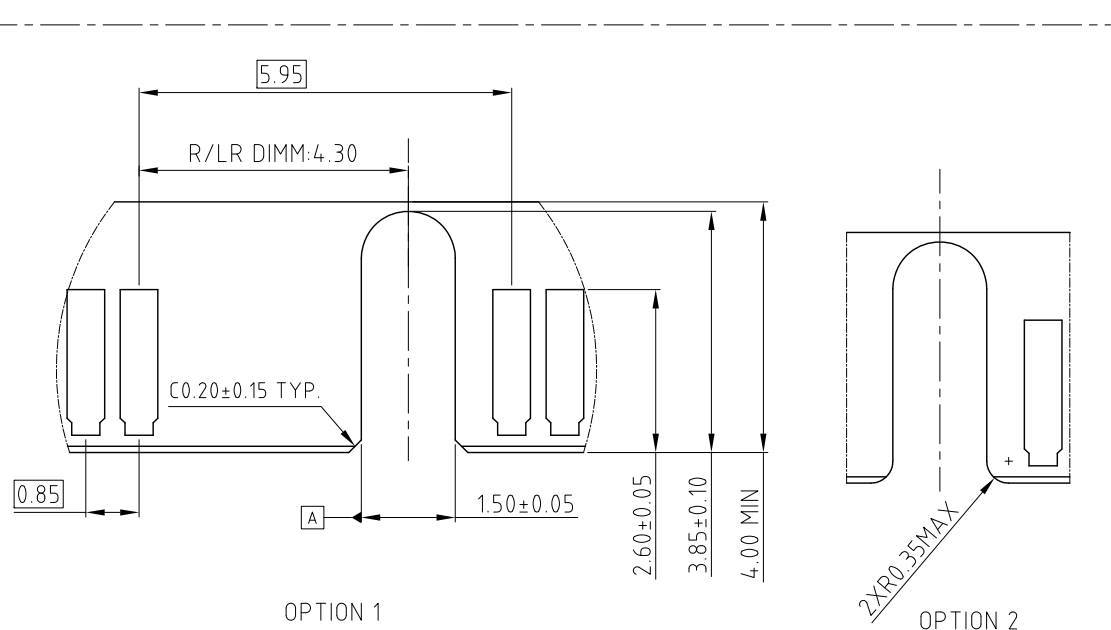
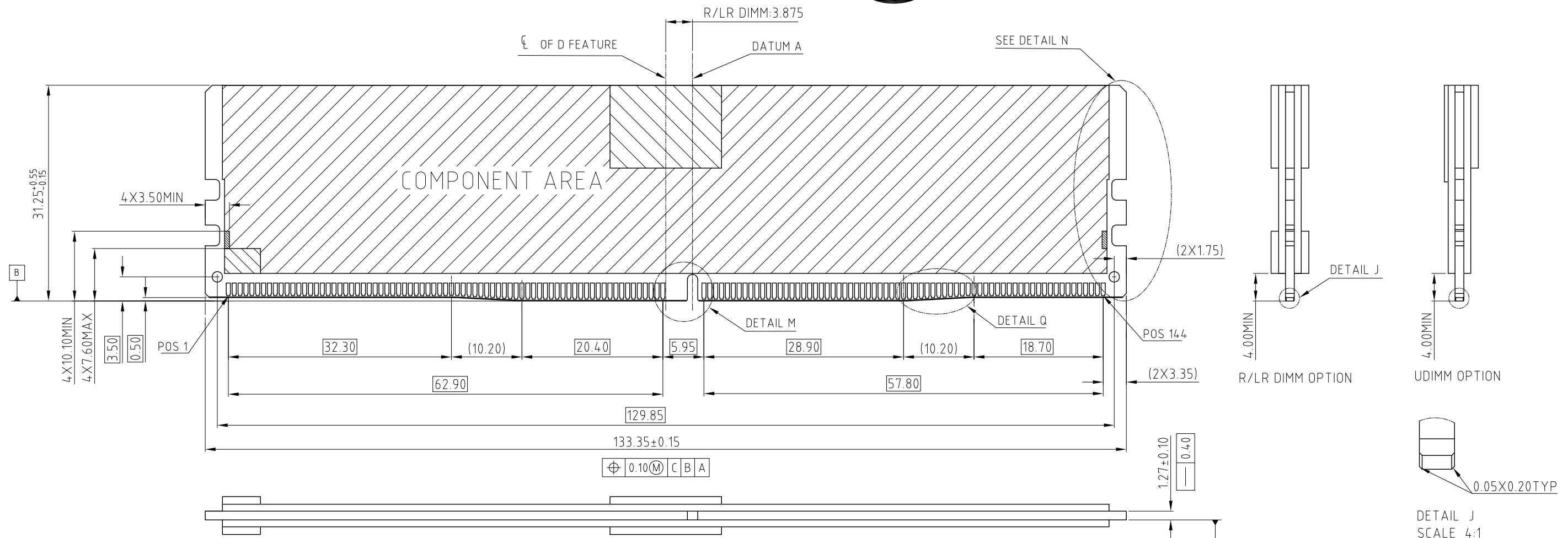
This document is the property of Amphenol Corporation and is delivered on the express condition that it is not to be disclosed, reproduced or used, in whole or in part, for manufacture or sale by anyone other than Amphenol Corporation without its prior consent, & that no right is granted to disclose or to use any information in this document.

CUSTOMER DRAWING

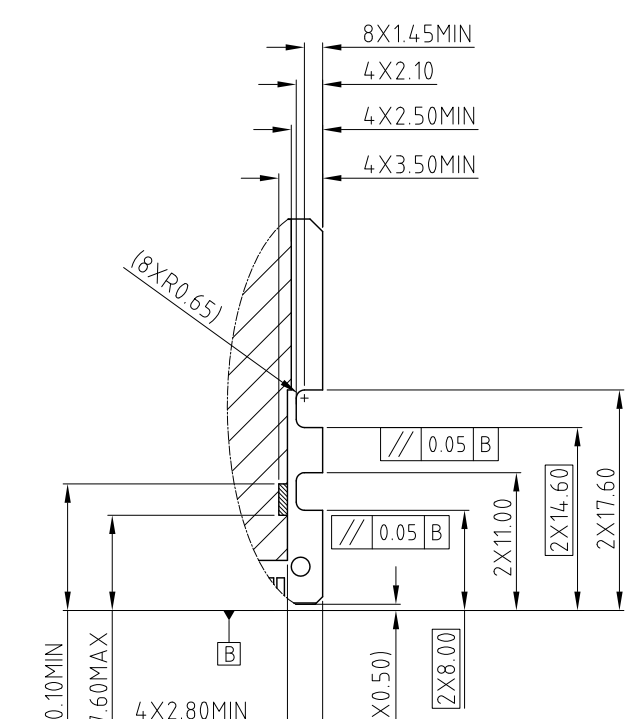


REVISIONS				
SYM	ECN	DESCRIPTION	DATE	APPROVED
		SEE SHEET 1		

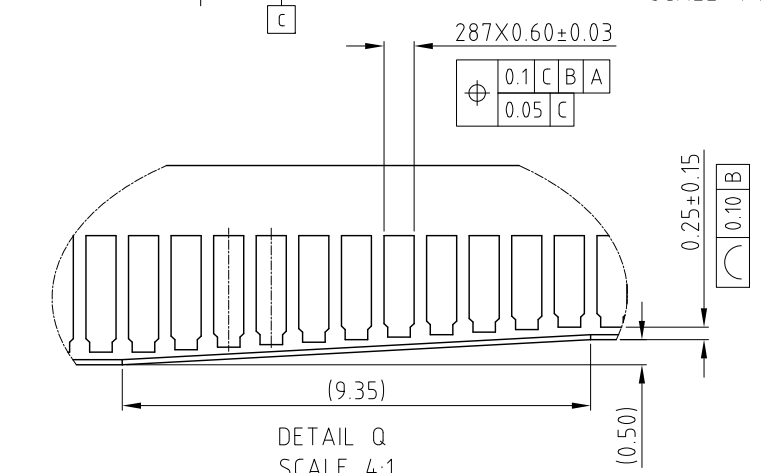
DDR5 MODULE  
MORE INFORMATION REFER TO JEDEC MO-329



DETAIL M  
SCALE 5:1



DETAIL N  
SCALE 1:1



DETAIL Q  
SCALE 4:1

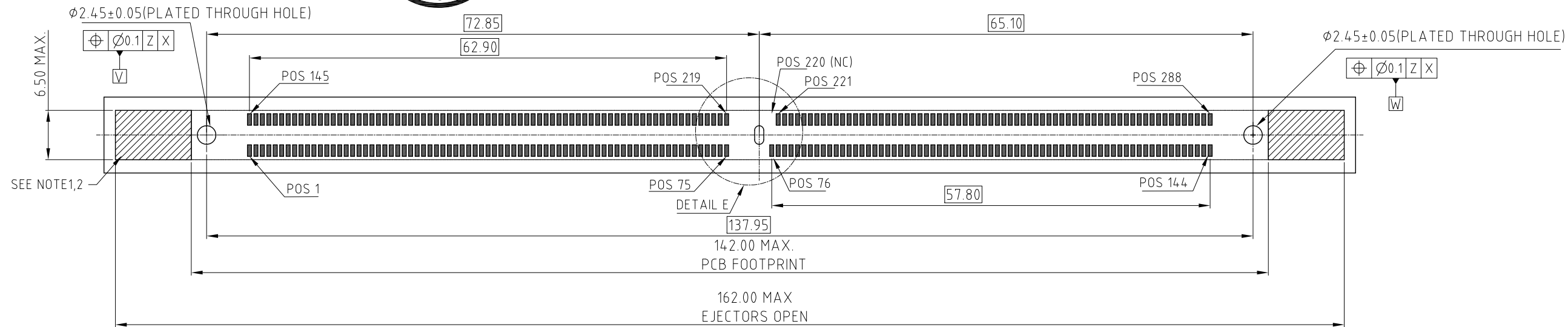
UNLESS OTHERWISE SPECIFIED TOLERANCES		APPROVAL	DATE	Amphenol
U.S.	METRIC	DRAWN Henry.he	Sep,26,2023	
.X +/-	0.35	CHECKED		TITLE DDR5 287P R/LR DIMM CONNECTOR
.XX +/-	0.25	CHECKED		
.XXX +/-	0.15			DRAWING FILE : DRAWING\DDR\CDDR516XXXXXXX
FRACTIONS +/-				
ANGLES +/-	3°			ANGLE OF PROJECTION 
FOR MATERIALS AND FINISHES SEE NOTES				SIZE A3
REMOVE SHARP EDGES				
DIMENSIONS				REV. 5
U.S.	INCHES			
(METRIC)	(MM)			SHEET 3 OF 6

This document is the property of Amphenol Corporation and is delivered on the express condition that it is not to be disclosed, reproduced or used, in whole or in part, for manufacture or sale by anyone other than Amphenol Corporation without its prior consent, & that no right is granted to disclose or to use any information in this document.

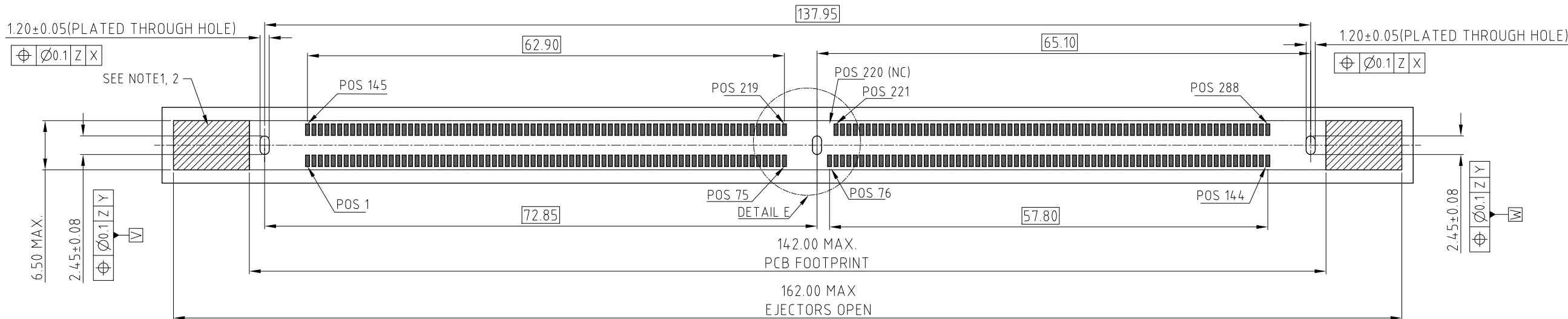


CUSTOMER DRAWING

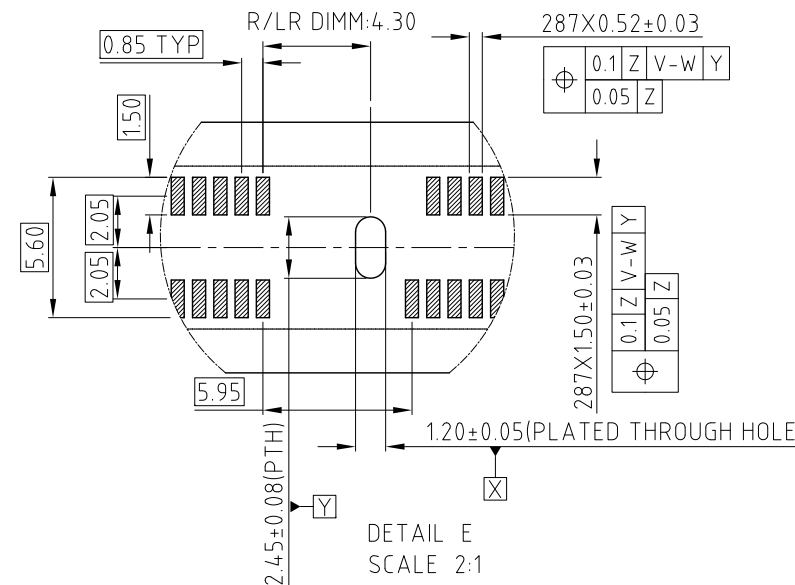
REVISIONS				
SYM	ECN	DESCRIPTION	DATE	APPROVED
		SEE SHEET 1		



RECOMMENDED PCB FOOTPRINT (OPTION 1)



RECOMMENDED PCB FOOTPRINT (OPTION 2)



DETAIL E SCALE 2:1

- ADDITIONAL NOTES:  
 1.KEEP OUT CROSS HATCH IS RESERVED FOR SOCKET EJECTORS AT BOTH ENDS  
 2.KEEP OUT ZONE IS HEIGHT LIMITED PER NOTE 1  
 3.RECOMMENDED STENCIL THICKNESS :

REFLOW CONDITION	THICKNESS OF STENCIL
AIR	0.18MM MIN
NITROGEN	0.18MM MIN
REWORK	0.20MM MIN

RECOMMENDED PCB LAYOUT  
 MORE INFORMATION REFER TO JEDEC SO-023

UNLESS OTHERWISE SPECIFIED TOLERANCES		APPROVAL	DATE	Amphenol
U.S. METRIC		DRAWN Henry.he	Sep,26,2023	
.X +/-	0.35	CHECKED		TITLE DDR5 287P R/LR DIMM CONNECTOR
.XX +/-	0.25	CHECKED		
.XXX +/-	0.15			DRAWING FILE : DRAWING\DDR\CDDR516XXXXXXX
FRACTIONS +/-				
ANGLES +/-	3°			SIZE DRAWING NO. REV.
FOR MATERIALS AND FINISHES SEE NOTES		ANGLE OF PROJECTION		A3 C DDR516XXXXXXX 5
REMOVE SHARP EDGES				SCALE NONE SHEET 4 OF 6
DIMENSIONS				
U.S. (METRIC)	INCHES (MM)			

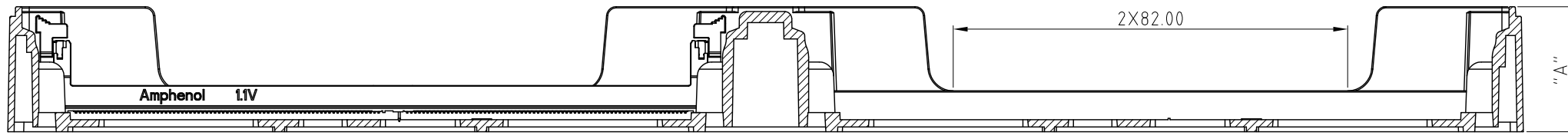
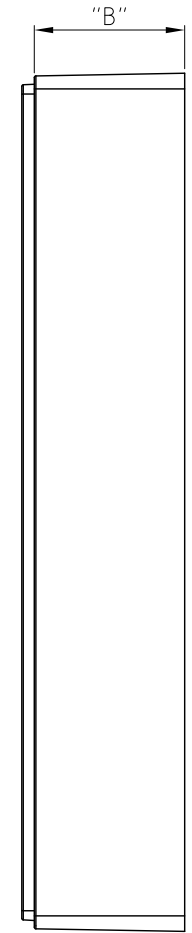
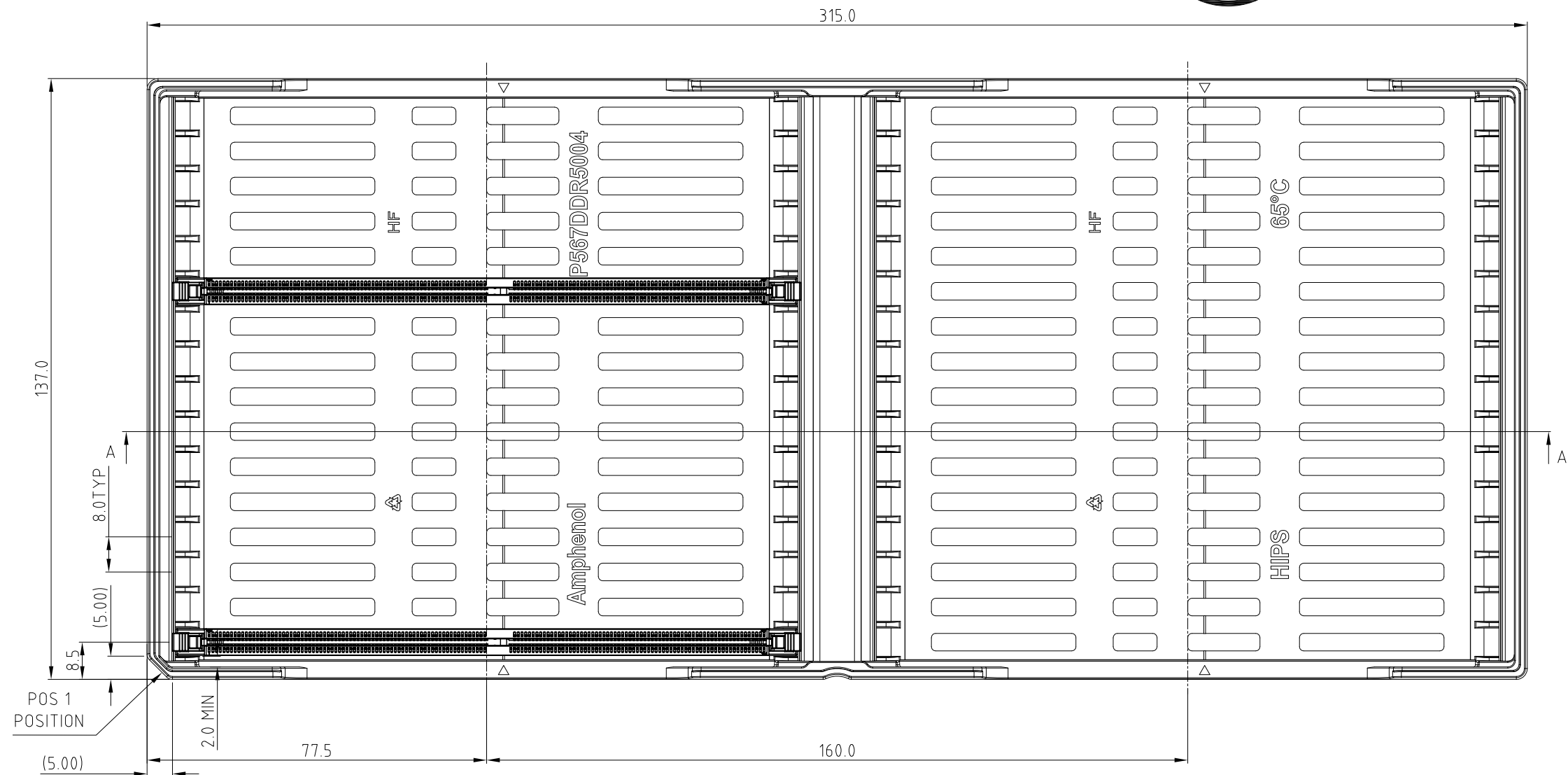
This document is the property of Amphenol Corporation and is delivered on the express condition that it is not to be disclosed, reproduced or used, in whole or in part, for manufacture or sale by anyone other than Amphenol Corporation without its prior consent, & that no right is granted to disclose or to use any information in this document.

CUSTOMER DRAWING

REVISIONS				
SYM	ECN	DESCRIPTION	DATE	APPROVED
		SEE SHEET1		



PACKING TRAY DRAWING



SECTION A-A

HARD TRAY PACKAGE OPTIONS:  
 OPTION 1: A=26.00 ,B=24.00  
 OPTION 2: A=24.80 ,B=23.80

- NOTES:  
 1. MATERIAL: HIPS, BLACK  
 2. QUANTITY: 32PCS/TRAY

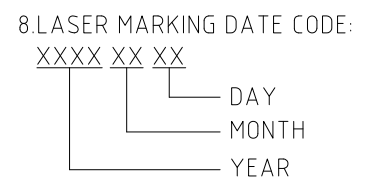
UNLESS OTHERWISE SPECIFIED TOLERANCES		APPROVAL		DATE	Amphenol
U.S. METRIC		DRAWN	Henry.he	Sep,26,2023	
.X +/-	0.35	CHECKED			
.XX +/-	0.25	CHECKED			TITLE
.XXX +/-	0.15				DDR5 287P R/LR DIMM CONNECTOR
FRACTIONS +/-		DRAWING FILE : DRAWING\DDR\CDDR516XXXXXXX			SIZE
ANGLES +/-	3°	ANGLE OF PROJECTION			DRAWING NO.
FOR MATERIALS AND FINISHES SEE NOTES					A3
REMOVE SHARP EDGES					SCALE
DIMENSIONS					REV.
U.S.	INCHES				5
(METRIC)	(MM)				

CUSTOMER DRAWING

REVISIONS				
SYM	ECN	DESCRIPTION	DATE	APPROVED
		SEE SHEET1		

- NOTES:
- MATERIAL:
    - HOUSING: HIGH TEMPERATURE THERMAL PLASTIC, UL94V-0, COLOR:OPTION.
    - LATCH: HIGH TEMPERATURE THERMAL PLASTIC, UL94V-0. COLOR: OPTION.
    - TERMINAL: COPPER ALLOY.
    - BOARDLOCK: COPPER ALLOY.
    - METAL CLIP: SUS.
  - FINISH:
    - TERMINAL:
      - CONTACT AREA: SELECTED GOLD PLATING;
      - SOLDERING AREA: MATTE TIN PLATING 100u" THICKNESS MIN; UNDER PLATING: NICKEL PLATING 50u" THICKNESS MIN. UNLESS OTHERWISE SPECIFIED
    - BOARDLOCK:
      - 100u" MIN LEAD FREE MATTE TIN OVER 50u" MIN NICKEL UNDERPLATED OVERALL.
  - ELECTRICAL CHARACTERISTICS:
    - CONTACT CURRENT RATING:1.0A MAX
    - INSULATION RESISTANCE:1MΩ MIN. 500VDC.
    - DIELECTRIC WITHSTANDING VOLTAGE:500 VAC AT SEA LEVEL.
    - LOW LEVEL CONTACT RESISTANCE:
      - INITIAL:4.0mΩ MAX.
      - FINAL:THE CHANGE IN LLCR BETWEEN THE READING AFTER STRESS AND THE INITIAL READING SHALL NOT EXCEED 20 mΩ MAX.
  - MECHANICAL CHARACTERISTICS:
    - CONTACT RETENTION FORCE:300gf MIN/PER PIN.
    - DURABILITY:25 CYCLES.
    - INSERTION FORCE (MODULE TO CONNECTOR) :106.8N MAX. UNMATING FORCE :19.77N MIN.
  - RELIABILITY AND OTHER CHARACTERISTICS:
    - SOLDERABILITY -LEAD FREE: JESD22-B102; CONDITION C, 8 HOURS ±15 MINUTES STEAM PRECONDITION.
    - VIBRATION: EIA-364-28, RANDOM PROFILE:
      - 5 HZ @ 0.01 g<sup>2</sup>/HZ TO 20HZ @ 0.02g<sup>2</sup>/HZ (SLOPE UP), 20 HZ TO 500HZ @ 0.02g<sup>2</sup>/HZ (FLAT), INPUT ACCELERATION IS 3.13g RMS.
    - CYCLIC TEMPERATURE AND HUMIDITY: PER EIA-364-31, METHOD III WITHOUT CONDITIONING, INITIAL MEASUREMENTS, COLD SHOCK AND VIBRATION.
    - THERMAL SHOCK: PASSED PER EIA-364-32, METHOD A, TABLE 2, TEST CONDITION 1, -55°C TO 85°C. PERFORM 5 CYCLES IN MATED CONDITION.
    - MECHANICAL SHOCK: EIA-364-27, TEST CONDITION E,
    - OPERATING TEMPERATURE: -55°C TO 85°C.
  - HALOGEN-FREE COMPLIANT PRODUCT. MEET AMPHENOL SPEC # S-SN-004.
  - ORDER PN SYSTEM:
 

DDR5 XX X X X XXX X X	XXXX XX XX
DOUBLE DATA RATE 5 SERIES	DAY
XX: APPLICATION TYPE	MONTH
16: SMT,287P, R/LR DIMM CONNECTOR	YEAR



- |  |   |
|--|---|
| <p>X: HOUSING COLOR</p> <p>1: BLACK</p> <p>2: NATURAL (IVORY)</p> <p>3: YELLOW</p> <p>4: BLUE</p> <p>.....</p> <p>X: LATCH COLOR</p> <p>1: BLACK</p> <p>2: NATURAL (IVORY)</p> <p>3: YELLOW</p> <p>4: BLUE</p> <p>.....</p> <p>X: CONTACT PLATED</p> <p>0: GOLD FLASH</p> <p>1: 15u" Au ON CONTACT AREA</p> <p>2: 30u" Au ON CONTACT AREA</p> <p>3: 15 GXT</p> <p>4: 30 GXT</p> <p>5: 15u" Au ON CONTACT AREA AND 90u" Ni MIN ON UNDERPLATING:</p> <p>6: 30u" Au ON CONTACT AREA AND 90u" Ni MIN ON UNDERPLATING:</p> <p>8: 18u" AU ON CONTACT AREA</p> <p>.....</p> | <p>X: CUSTOMER CODE OPTION:</p> <p>BLANK</p> <p>0.....</p> <p>9</p> <p>A.....</p> <p>Z</p> <p>X: PACKING AND MYLAR OPTIONS</p> <p>T: SOFT TRAY</p> <p>H: HARD TRAY PACKAGE("A"=26.00mm ), WITH MYLAR "X"=50MM</p> <p>J: HARD TRAY PACKAGE("A"=26.00mm ), WITH MYLAR "X"=70MM</p> <p>K: HARD TRAY PACKAGE("A"=26.00mm ), WITHOUT MYLAR</p> <p>M: HARD TRAY PACKAGE("A"=26.00mm ), WITH MYLAR "X"=90MM</p> <p>C: HARD TRAY PACKAGE("A"=26.00mm ),WITH CAP "X"=70MM;"Y"=6MM</p> <p>S: HARD TRAY PACKAGE("A"=26.00mm ), WITH MYLAR "X"=123.6MM</p> <p>E: HARD TRAY PACKAGE("A"=24.80mm ), WITHOUT MYLAR</p> <p>.....</p> <p>SEE SEQUENCE NUMBER TABLE</p> |
|--|---|

SEQUENCE NUMBER		
CODE	OPTION DESCRIPTION	FIGURE (H)
001	1. NARROW HOUSING 2. NARROW STANDARD LATCH 3. FORK LOCK	(2.50)
002	1. NARROW HOUSING 2. NARROW STANDARD LATCH 3. METAL TAB	(2.65)
003	1. NARROW HOUSING 2. NARROW STANDARD LATCH 3. METAL TAB	(1.85)
004	1. NARROW HOUSING 2. NARROW SHORT LATCH 3. FORK LOCK	(2.50)
005	1. NARROW HOUSING 2. NARROW SHORT LATCH 3. METAL TAB	(2.65)
006	1. NARROW HOUSING 2. NARROW SHORT LATCH 3. METAL TAB	(1.85)
010	1. NARROW HOUSING 2. NARROW STANDARD LATCH 3. METAL TAB	(1.50)



UNLESS OTHERWISE SPECIFIED TOLERANCES		APPROVAL		DATE		<h1>Amphenol</h1>		
		U.S.	METRIC	DRAWN	Henry.he			Sep,26,2023
.X +/-	0.35	CHECKED		CHECKED		TITLE		
.XX +/-	0.25							
.XXX +/-	0.15	DRAWING FILE : DRAWING\DDR\CDDR516XXXXXXX		DDR5 287P R/LR DIMM CONNECTOR				
FRACTIONS +/-								
ANGLES +/-	3°	REMOVE SHARP EDGES		ANGLE OF PROJECTION		SIZE	DRAWING NO.	REV.
FOR MATERIALS AND FINISHES SEE NOTES		DIMENSIONS				A3	C DDR516XXXXXXX	5
		U.S.	INCHES			SCALE	NONE	SHEET 6 OF 6
		(METRIC)	(MM)					