



PICABOND

Connectors

- Lightweight, compact, and economical means of splicing multiconductor telephone cable
- Requires 33% less space than other comparable techniques
- No prestripping or cutting required; fast and easy installation

PICABOND connectors provide an economical and reliable means of splicing multiconductor telephone cable.

PICABOND connectors are manufactured from tin-plated phosphor bronze and tin-plated brass with bonded polyester insulation. Color coding of the insulation is provided to denote wire size and weather-resistant type. Any solid core wire, 28 to 19 AWG (0.32 – 0.90 mm), with pulp, paper or plastic insulation can be spliced.

Lightweight and compact, PICABOND splices reduce the space required over other splicing techniques by up to 33%. Straight, butt, tap, and bridge splices can be made with these connectors.

Advantages

- Saves time — no prestripping or cutting required, can tap without service interruptions, eliminates “turndowns”
- Versatile — Color-coded to indicate size and type of wire; used for butt, straight, bridge and half-tap applications
- Economical — Lower applied cost, minimum training required, higher application rates

Applications

- Splicing
- Central Office
- Manhole
- Aerial Pole
- CEV
- Pedestal
- Demarcation Points

For Standard and Load Coil Connectors

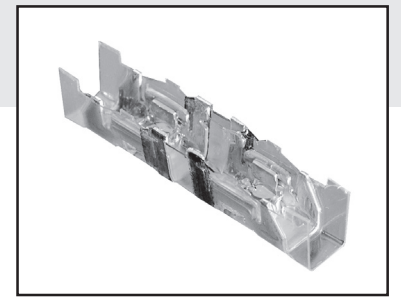
Tool Style	Part Number	Instruction Sheet
VS-BA Long Handle Comfort Hand Tool		
Hand Tool Only	244271-6	408-7280, 408-7326
Tool Holder Only	229755-1	408-7655
VS-3 for Loose Piece Connectors		
Hand Tool Only	244271-1	408-7280, 408-7326
Hand Tool with Tool Holder	244271-5	408-7280
Tool Holder Only	229755-1	408-7655
Long Handle Upgrade Kit	91333-1	
MA-6U for Strip or Loose Piece Connectors		
Applicator Kit w/30" (762) support bar and 18" (457) extension	231102-5	408-3168
Applicator Kit w/30" (762) support bar and 27" (686) extension	231102-6	408-3168
Applicator Kit w/30" (762) support bar Applicator Only	231039-2	408-3168
MA-6B for Loose-Piece connectors		
Applicator Kit w/27" (686) extension	248010-3	408-7418
Applicator Kit w/o extension	248010-1	408-7418
Applicator Only IS	247329-1	408-7418
MR-1 (MR-1U) for Loose Piece Connectors		
Hand Tool only	251101-1	408-7306, 408-7449

For Mini Connectors

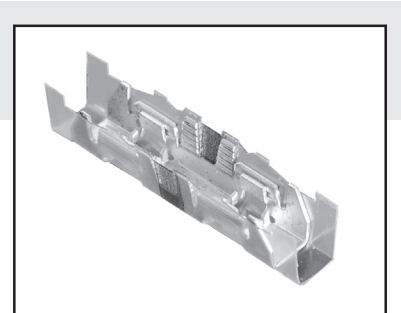
MA-10 for strip connectors		
Applicator Kit	229528-5 or 229528-1	408-7445
Applicator Only	229534-1	
MVS-3 for Loose Piece Connectors		
Hand Tool Kit	244271-3	408-6539
Hand Tool Only	230971-2	
Tool Holder Only	229755-1	408-7655N

PICABOND Connector Tooling Accessory Items

Description	Applicable	Part Number	Instruction Sheet
Wire Support Replacement Kit	(MA-6)	229284-1	408-7670
	(MA-10)	229430-1	408-7581
	(MA-6U)	231282-1	408-3193
	(VS-3, MR-1)	229188-1	408-7474
Extension Bar	18 in. (457 mm) (MA-10)	229308-3	408-7445
	27 in. (686 mm) (MA-10)	229308-4	408-7445
	18 in. (457 mm) (MA-6, MA-6U)	229308-1	408-3168
	27 in. (686 mm) (MA-6, MA-6U)	229308-2	408-7475
Crimp Height Gauge	(Std. PICABOND Connectors)	229230-1	—
	(Mini PICABOND Connectors)	229640-1	—
Cleaning Kit	(VS-3, MA-6, MA-6U, MA-10)	229333-1	408-7534
	(MR-1)	81041-1	408-9408
Shear Pin Kit	(MA-10)	229313-1	408-7638
Cutter Blade Kit	(MA-10, MA-6U)	229314-1	—
Wire Hold Back	(MA-6)	229668-1	408-7619



Standard Connector

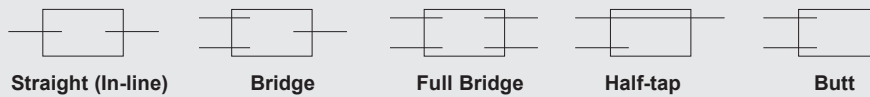


Load Coil Standard Connector



Mini Connector

Typical Splicing Applications



	Cable Types & Wire AWG			Part Numbers			
	Color Code	Air Core PIC	Foam Filled PIC	Pulp or Paper	Loose Piece	Strip	Bag of 55
Bronze	Orange ⁶	28-24	—	28-24	61899-1 ¹	—	—
	Green ⁶	26-22	—	26-22	60945-4 ¹	60944-6	406587-1
	Red ⁶	24-19 ³	—	24-19 ³	60947-3 ¹	60946-4	406588-1
	Purple Weather Resistant	26-22	26-24	—	61226-2 ¹	229915-2	406585-1
	Yellow Weather Resistant	24-19	24-22 ⁴ -19 ^{5, 3}	—	61292-2 ¹	229917-2	406586-1
	Tool Set-up	26-22	—	—	61292-3 ²	—	—
				60945-8			
Brass	Green	26-22	—	26-22	60945-1 ¹	—	—
	Red	24-19 ³	—	24-19 ³	60947-1 ¹	—	—
	Purple Weather Resistant	26-22	26-24	—	61226-1 ¹	229915-1	—
	Yellow Weather Resistant	24-19	24-22 ⁴ -19 ^{5, 3}	—	61292-1 ¹	229917-1	—

¹Loose Pieces: 1000/box
Strip 1000/box

²Loose Pieces 250/box

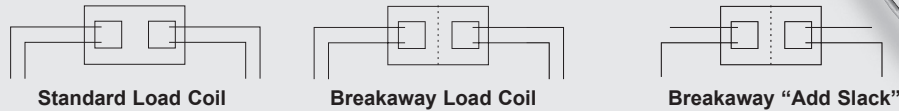
³One 19 AWG (.9mm) wire on each end, .080" (2.03mm) max. insulation diameter

⁴Preferred Usage

⁵Ins. O.D. .067 - .080" (1.70 - 2.03mm)

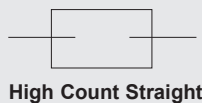
⁶RUS Listed

Typical Splicing Applications



	Cable Types & Wire AWG			Part Numbers		
	Color Code	Air Core PIC	Foam/Filled PIC	Pulp or Paper	Loose Piece	Strip
Bronze	Green/Amber	26-24 ⁴ -22 ⁴	—	26-22	552576-2	—
	Purple/Amber	26-24 ⁴ -22 ⁴	26-24 ⁴ -22*	—	552639-2	552639-1
	Weather Resistant					
	Green/Amber Breakaway	26-24 ⁴ -22 ⁴	—	26-22	552647-2	—
	Purple/Amber Weather Resistant Breakaway	26-24 ⁴ -22 ⁴	26-24 ⁴ -22	—	552769-2	—

Typical Splicing Applications



	Cable Types & Wire AWG			Part Numbers		
	Color Code	Air Core PIC	Foam/Filled PIC	Pulp or Paper	Loose Piece	Strip
Bronze	Blue	26-22	—	26-22	552041-4 ¹	552041-3
Brass	Blue	26-22	—	26-22	552041-2 ²	552041-1
					1-552041-3 ¹	—
	Blue/White Weather Resistant	26-22	26-22	—	—	552439-1
	Brown	24-19	—	24-19	552043-2 ¹	552043-1
Pink	28-24	—	28-24	552466-2 ²	—	

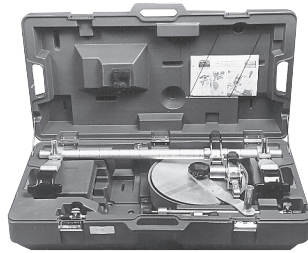
Number of Wires per Connector End

AWG	Wire Size Standard/Loadcoil	Connectors Mini
22 - 28	1 or 2	1
19	1 or 1 (19) and 2 (22 - 28)	1

PICABOND Connector Applicator Kits Contents

Each kit contains a mounting bar with J-hooks, an applicator clamp (to attach applicator bar), an instruction sheet, and support legs.

Note: The MA-10 Kit also contains a reel holder.



Technical Documents

To order any of these documents, call our 24-hour fax-on-demand line at 1-800-522-6752.

Product Specifications

108-6008 (Mini Strip)
108-6009 (Mini)
108-6011 (Standard)
108-6014 (Mini Strip)
108-6015 (Mini Strip)

Application Specifications

114-6002 (Standard)
114-6004 (Load Coil)
114-6006 (Load Coil)
114-6012 (Mini)
114-6025 (Mini)

Instruction Sheets

408-6513 (Standard, Load Coil, Mini Strip)
408-6539 (Mini)
408-7418 (Standard, Load Coil LP)
408-7457 (Standard, Load Coil LP)
408-7657 (Mini)
408-7658 (Mini)

Tyco Electronics Corporation
8000 Purfoy Road
Fuquay Varina, NC 27526-9349
Tel: 919-557-8900
Fax: 919-557-8498
www.tycoelectronics.com
www.us.telecomosp.com

PICABOND, TE Logo, and Tyco Electronics are trademarks.

The information given herein, including drawings, illustrations and schematics which are intended for illustration purposes only, is believed to be reliable. However, Tyco Electronics Corporation makes no warranties as to its accuracy or completeness and disclaims any liability in connection with its use. Tyco Electronics' obligations shall only be as set forth in Tyco Electronics' Standard Terms and Conditions of Sale for this product and in no case will Tyco Electronics be liable for any incidental, indirect or consequential damages arising out of the sale, resale, use or misuse of the product. Users of Tyco Electronics products should make their own evaluation to determine the suitability of each such product for the specific application.