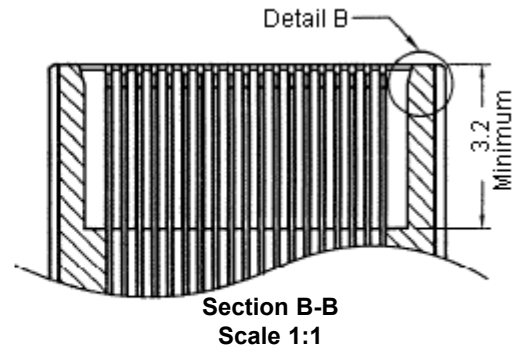
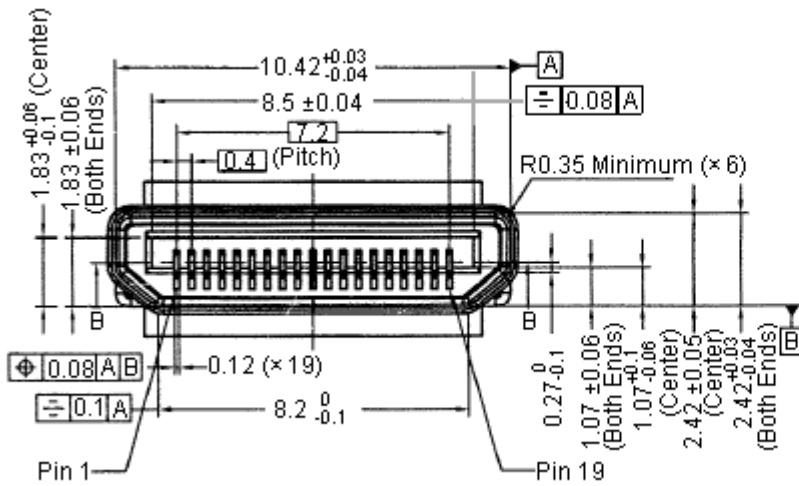
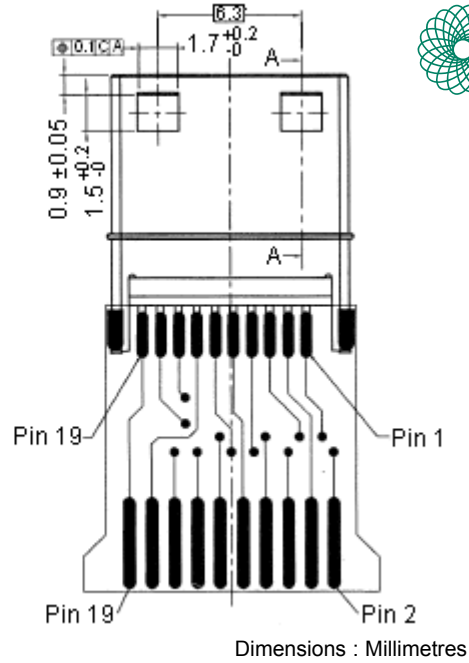
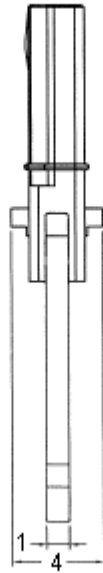
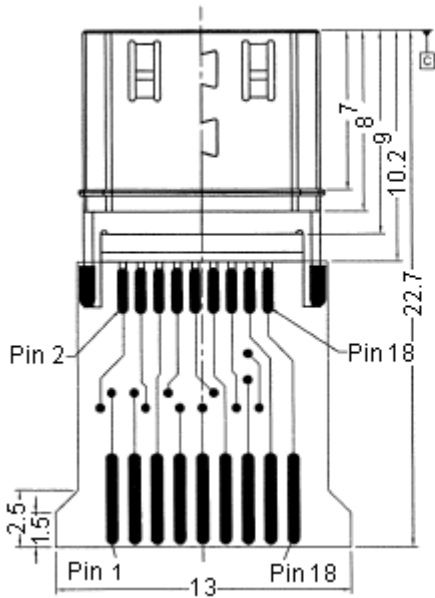
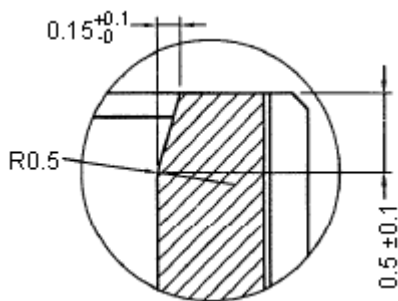


Mini HDMI Connector

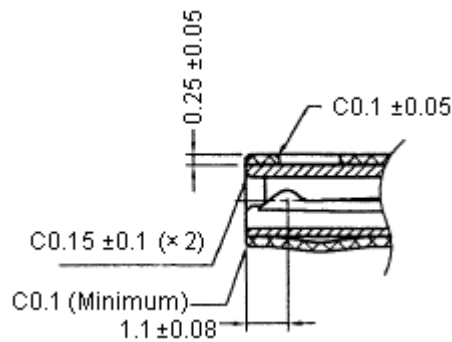


Dimensions : Millimetres

Detail C
Scale 4:1



Section A-A
Scale 1:1



Dimensions : Millimetres

Tolerance Unspecified

.000	: ±
.00	: ±0.2
.0	: ±0.3
.	: ±0.4
Angle	: ±1°



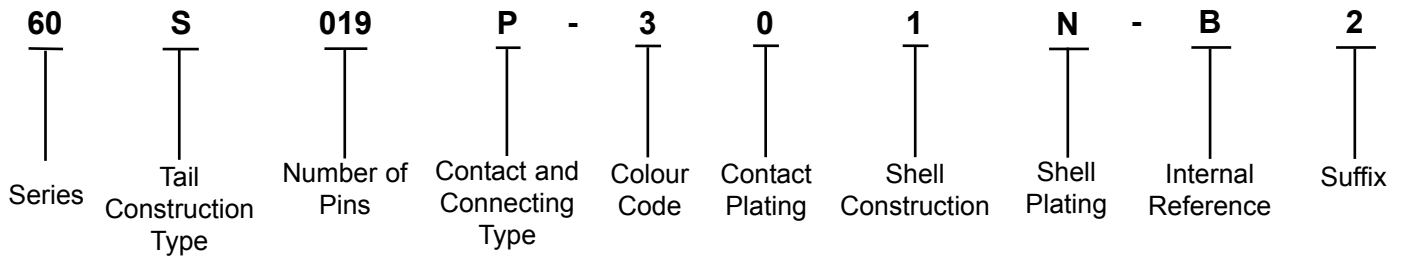
Mini HDMI Connector



Part Number Table

Description	Part Number
Mini HDMI Connector	60S019P-301N-B2

Part Number Explanation:



Series	: 60 = HDMI Connector, type C
Tail Construction Type	: S = Solder type
Number of Pins	: 019 = 19 Positions
Contact and Connecting Type	: P = Plug
Colour Code	: 3 = Black
Contact Plating	: 0 = Gold flash plated in contact area
Shell Construction	: 1 = With harpoon profile for shell
Shell Plating	: N = Solderable nickel plated
Internal Reference	: B = Without freeport Logo
Suffix	: 2 = With C / M to A / F adapter PCB

Important Notice : This data sheet and its contents (the "Information") belong to the members of the Premier Farnell group of companies (the "Group") or are licensed to it. No licence is granted for the use of it other than for information purposes in connection with the products to which it relates. No licence of any intellectual property rights is granted. The Information is subject to change without notice and replaces all data sheets previously supplied. The Information supplied is believed to be accurate but the Group assumes no responsibility for its accuracy or completeness, any error in or omission from it or for any use made of it. Users of this data sheet should check for themselves the Information and the suitability of the products for their purpose and not make any assumptions based on information included or omitted. Liability for loss or damage resulting from any reliance on the Information or use of it (including liability resulting from negligence or where the Group was aware of the possibility of such loss or damage arising) is excluded. This will not operate to limit or restrict the Group's liability for death or personal injury resulting from its negligence. Multicomp is the registered trademark of the Group. © Premier Farnell plc 2012.