

INDUSTRIAL PLUGS & SOCKETS

SPLITTERS

Conformity to Standards:	CEI EN 60309-1	IEC 60309-1	Temperature resistance:	Operating	-25 to +50°C
	CEI EN 60309-2	IEC 60309-2		Storage	-30 to +70°C
	CEI EN 60529	IEC 60529		Cable entry	T-line: glanded for side entry 1.5mm ² x 3 core cable
Impact resistance:	>IK 06		Connecting sections of the wires	T-line: max 1.5mm ²	
Glow wire test:	850°C				

SPLITTERS

IP44 Splashproof - Splitline

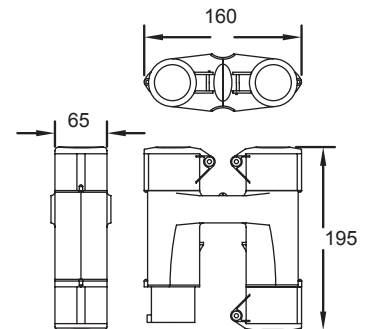
- IP44 16A 110v & 230v versions to IEC60309
- 1x power inlet feeding, 3x power outlets
- Can be cable tied to rigging & piping for rapid installation
- Lightweight & compact design
- Robust construction



A	V	
16	110	PM16/A130N
	230	PM16/A131N



2P+E



IP44 Splashproof - T-Line

- Saves time & space
- Re-wireable in line T-Connector
- IP44 16A 110v AC & 230v AC IEC60309
- Black body moulding
- Theatre, film & studio applications
- Ideal for temporary hard wired cable connection to lighting/ heating etc
- Lightweight & compact
- Robust construction



A	V	
16	110	PM16/A110T
	230	PM16/A24T



2P+E

