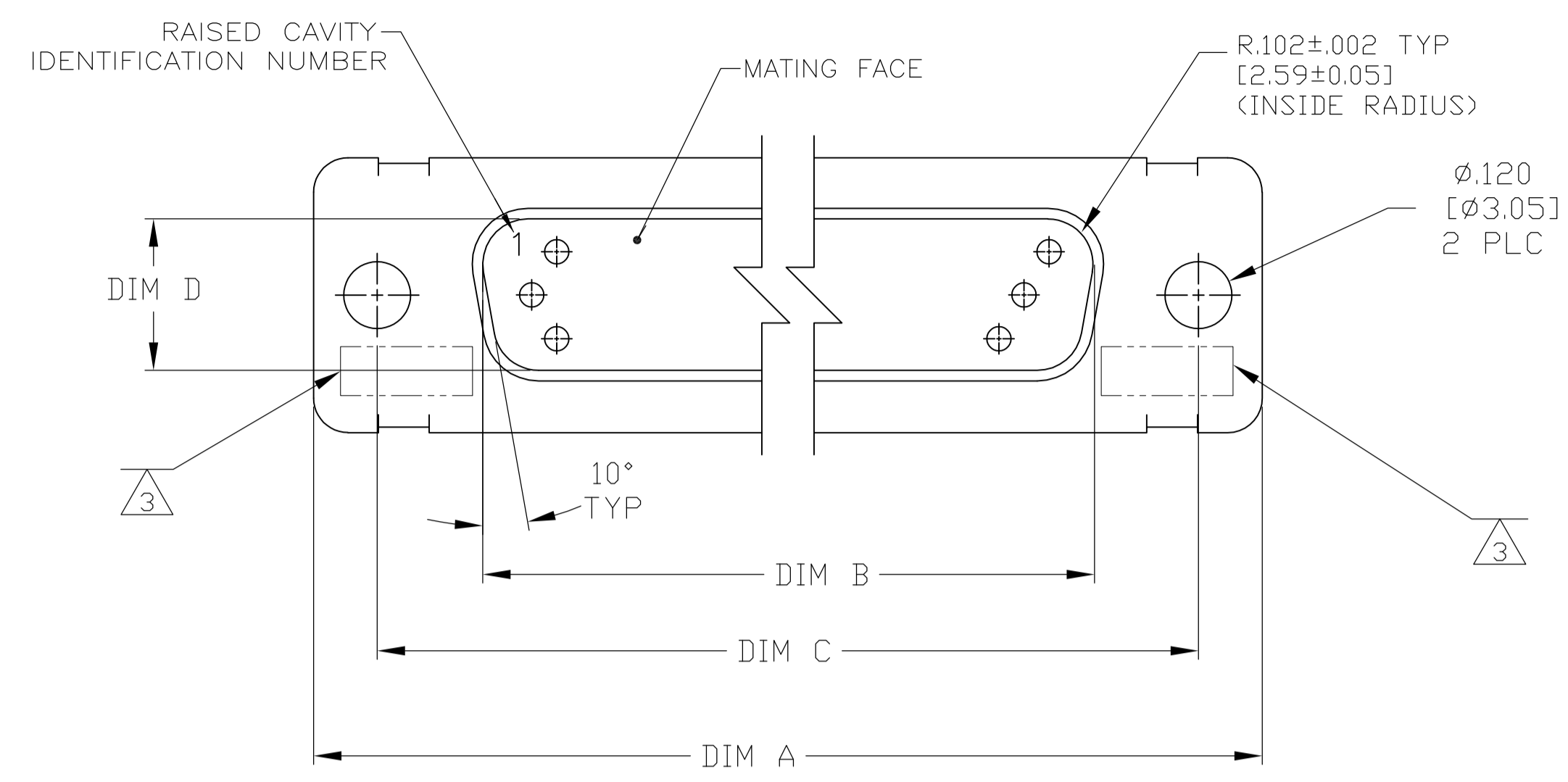
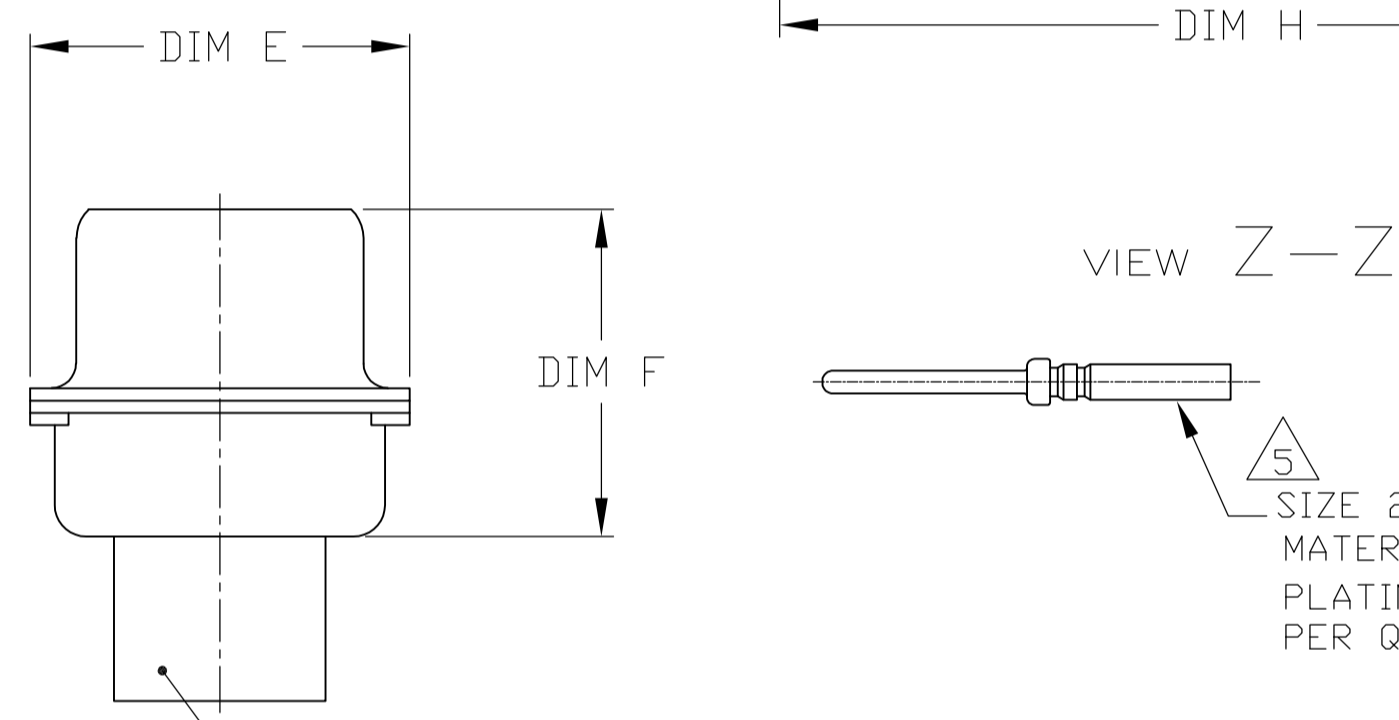
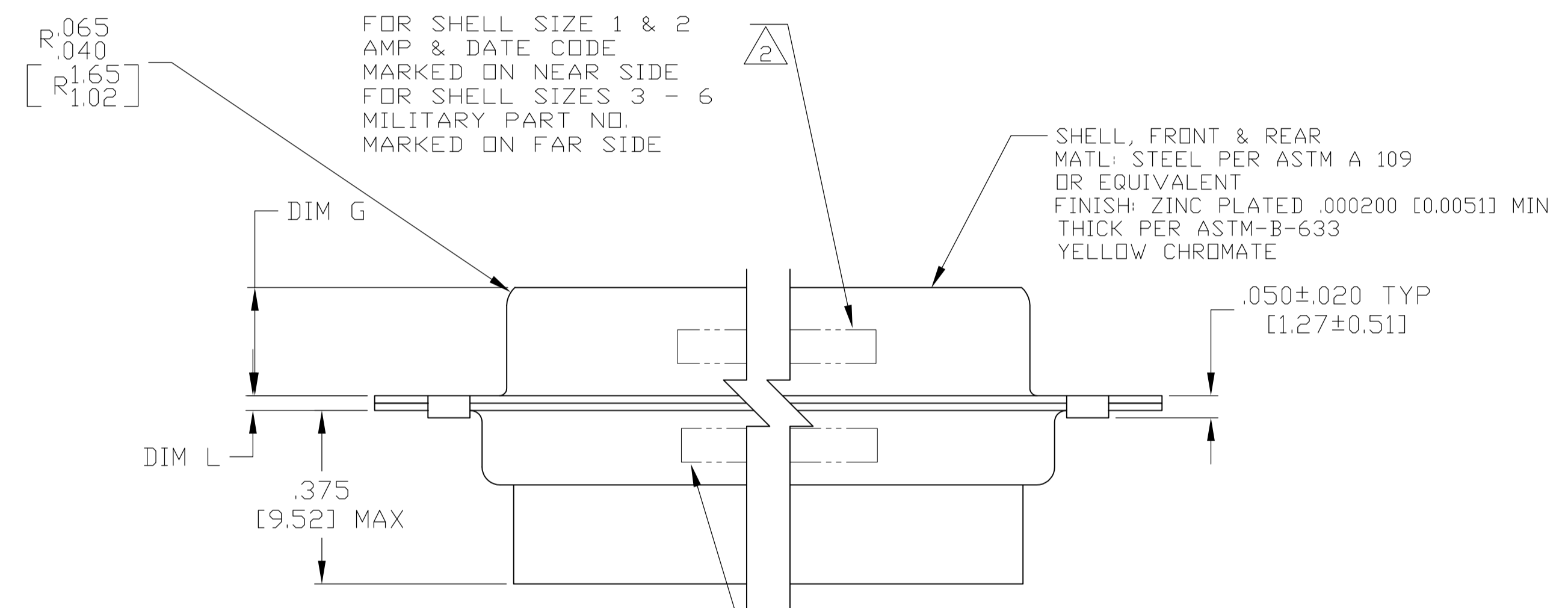
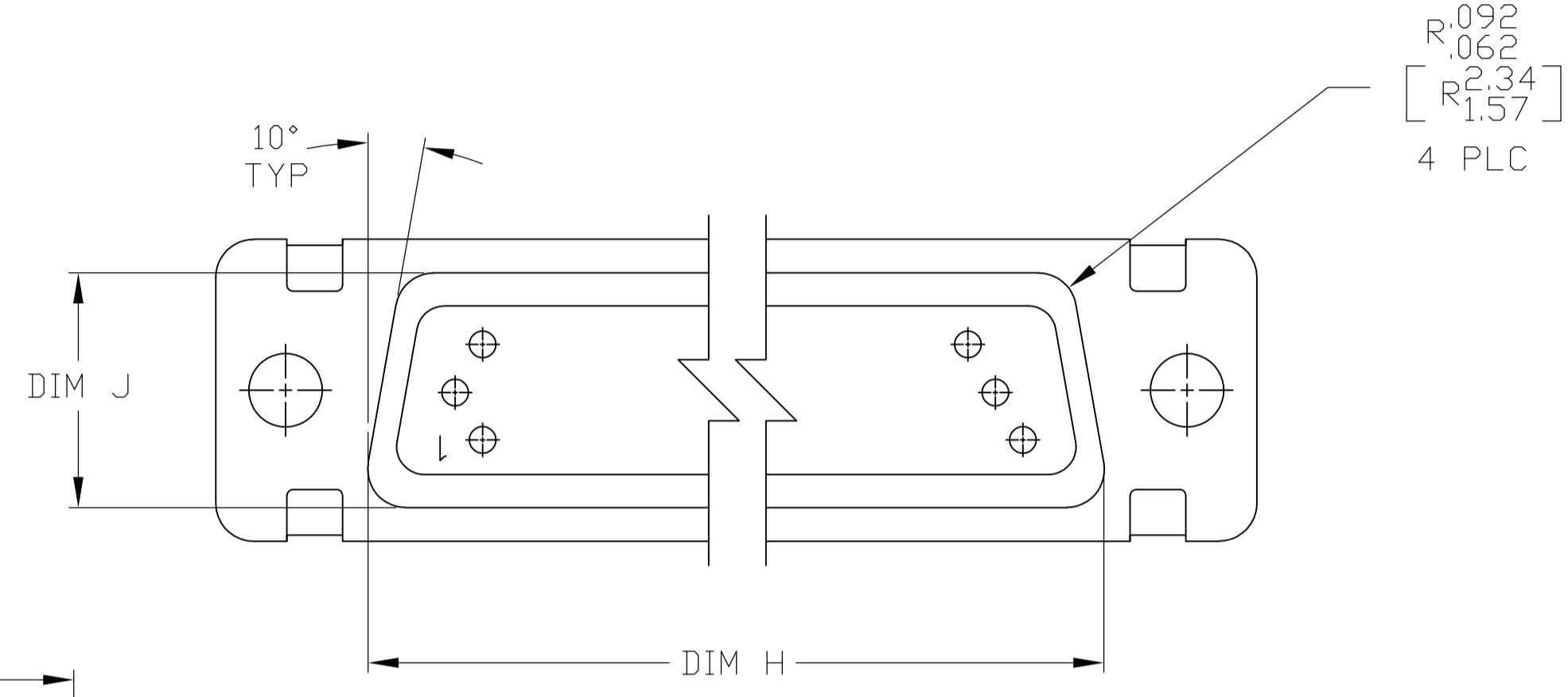


| LOC | | DIST | | REVISIONS | | | |
|-----|-------------|-------------|---------|-----------|------|--|--|
| P | LTR | DESCRIPTION | DATE | DN | APVD | | |
| G | REV PER ECO | 12-003873 | 2-28-12 | CT | RL | | |



1. THE CONNECTOR DESCRIBED IN THIS DOCUMENT WILL MATE WITH ANY RECEPTACLE CONNECTOR WITH THE SAME INSERT ARRANGEMENT.
2. MARKED WITH .047-.062 [1.19-1.57] HIGH CHARACTERS. FAR SIDE REFERS TO THE WIDE SIDE OF THE KEYSTONE. NEAR SIDE REFERS TO THE NARROW SIDE OF THE KEYSTONE. WHEN SPACE IS LIMITED MARKING CAN BE SPLIT BETWEEN FRONT AND REAR SHELL.
3. UL/CSA DESIGNATION MARKED IN THIS AREA. (SIZE 1 THROUGH 5 ONLY)
4. CONNECTOR ASSEMBLY WITHOUT CONTACTS, MFG'S P/N 204370-2. MUST BE ORDERED SEPARATELY.
5. CONNECTOR ASSEMBLY SUPPLIED WITH CONTACTS, MFG'S P/N 204370-2. PACKAGED IN A SEPARATE CONTAINER. QTY = NO. OF POSN. (SEE TABLE).



VIEW Z-Z
 SIZE 22 PIN CONTACT
 MATERIAL: COPPER ALLOY PER MIL-C-39029 & MIL-DTL-24308.
 PLATING: GOLD PER ASTM-B-488 (TYPEII) OVER NICKEL PER QQ-N-290.

SHELL, FRONT & REAR
 MATL: STEEL PER ASTM A 109 OR EQUIVALENT
 FINISH: ZINC PLATED .000200 [0.0051] MIN THICK PER ASTM-B-633 YELLOW CHROMATE

INSERT ASSEMBLY
 MAT'L: POLYPHENYLENE SULFIDE (PPS) GST-40F PER MIL-M-24519 OR GLASS FILLED POLYESTER TPES013G30 PER ASTM D5927

FOR SHELL SIZE 1 & 2 AMP & DATE CODE MARKED ON NEAR SIDE FOR SHELL SIZES 3 - 6 MILITARY PART NO. MARKED ON FAR SIDE

FOR SHELL SIZE 1 & 2 MFG'S PART NO. (SEE TABLE) MARKED ON NEAR SIDE MILITARY PART NO. (SEE TABLE) MARKED ON FAR SIDE FOR SHELL SIZES 3 - 6 AMP, MFG'S PART NO. AND DATE CODE MARKED ON FAR SIDE

| MARKING | M24308/4-16 | M24308/4-15 | M24308/4-14 | M24308/4-13 | M24308/4-12 | M24308/4-11 | M24308/4-269 | M24308/4-268 | M24308/4-267 | M24308/4-266 | M24308/4-265 | M24308/4-264 | REMARKS | L | J | H | G | F | E | D | C | B | A | INSERT ARRANGEMENT | NO OF POS | SHELL SIZE | PART NUMBER |
|---------|--------------|--------------|--------------|--------------|--------------|--------------|--------------|--------------|--------------|--------------|--------------|--------------|-------------|--------------|---------------|---------------|--------------|--------------|--------------|---------------|---------------|---------------|---------------|--------------------|-----------|-------------|-------------|
| 5 | M24308/4-16 | M24308/4-15 | M24308/4-14 | M24308/4-13 | M24308/4-12 | M24308/4-11 | M24308/4-269 | M24308/4-268 | M24308/4-267 | M24308/4-266 | M24308/4-265 | M24308/4-264 | | .049 [1.24] | .606 [15.39] | 2.312 [58.72] | .236 [5.99] | .436 [11.07] | .683 [17.35] | .508 [12.90] | 2.505 [63.63] | 2.217 [56.31] | 2.744 [69.70] | MS14004-1 | 104 | 6 | 1-1757823-2 |
| 5 | M24308/4-15 | M24308/4-14 | M24308/4-13 | M24308/4-12 | M24308/4-11 | M24308/4-269 | M24308/4-268 | M24308/4-267 | M24308/4-266 | M24308/4-265 | M24308/4-264 | | .049 [1.24] | .544 [13.82] | 2.188 [55.58] | .236 [5.99] | .436 [11.07] | .620 [15.75] | .446 [11.33] | 2.411 [61.24] | 2.084 [52.93] | 2.650 [67.31] | MS18277-2 | 78 | 5 | 1-1757823-1 | |
| 5 | M24308/4-14 | M24308/4-13 | M24308/4-12 | M24308/4-11 | M24308/4-269 | M24308/4-268 | M24308/4-267 | M24308/4-266 | M24308/4-265 | M24308/4-264 | | | .049 [1.24] | .432 [10.97] | 2.282 [57.96] | .236 [5.99] | .436 [11.07] | .509 [12.93] | .334 [8.48] | 2.505 [63.63] | 2.187 [55.55] | 2.744 [69.70] | MS18276-2 | 62 | 4 | 1-1757823-0 | |
| 5 | M24308/4-13 | M24308/4-12 | M24308/4-11 | M24308/4-269 | M24308/4-268 | M24308/4-267 | M24308/4-266 | M24308/4-265 | M24308/4-264 | | | | .049 [1.24] | .432 [10.97] | 1.635 [41.53] | .236 [5.99] | .436 [11.07] | .509 [12.93] | .334 [8.48] | 1.857 [47.17] | 1.539 [39.09] | 2.103 [53.42] | MS18275-2 | 44 | 3 | 1757823-9 | |
| 5 | M24308/4-12 | M24308/4-11 | M24308/4-269 | M24308/4-268 | M24308/4-267 | M24308/4-266 | M24308/4-265 | M24308/4-264 | | | | | .040 [1.02] | .412 [10.46] | 1.093 [27.76] | .238 [6.05] | .432 [10.97] | .509 [12.93] | .334 [8.48] | 1.317 [33.45] | .999 [25.37] | 1.556 [39.52] | MS18274-2 | 26 | 2 | 1757823-8 | |
| 5 | M24308/4-11 | M24308/4-269 | M24308/4-268 | M24308/4-267 | M24308/4-266 | M24308/4-265 | M24308/4-264 | | | | | | .040 [1.02] | .412 [10.46] | .769 [19.53] | .238 [6.05] | .432 [10.97] | .509 [12.93] | .334 [8.48] | .989 [25.12] | .671 [17.04] | 1.228 [31.19] | MS18273-2 | 15 | 1 | 1757823-7 | |
| 4 | M24308/4-269 | M24308/4-268 | M24308/4-267 | M24308/4-266 | M24308/4-265 | M24308/4-264 | | | | | | | .049 [1.24] | .606 [15.39] | 2.312 [58.72] | .236 [5.99] | .436 [11.07] | .683 [17.35] | .508 [12.90] | 2.505 [63.63] | 2.217 [56.31] | 2.744 [69.70] | MS14004-1 | 104 | 6 | 1757823-6 | |
| 4 | M24308/4-268 | M24308/4-267 | M24308/4-266 | M24308/4-265 | M24308/4-264 | | | | | | | | .049 [1.24] | .544 [13.82] | 2.188 [55.58] | .236 [5.99] | .436 [11.07] | .620 [15.75] | .446 [11.33] | 2.411 [61.24] | 2.084 [52.93] | 2.650 [67.31] | MS18277-2 | 78 | 5 | 1757823-5 | |
| 4 | M24308/4-267 | M24308/4-266 | M24308/4-265 | M24308/4-264 | | | | | | | | | .049 [1.24] | .432 [10.97] | 2.282 [57.96] | .236 [5.99] | .436 [11.07] | .509 [12.93] | .334 [8.48] | 2.505 [63.63] | 2.187 [55.55] | 2.744 [69.70] | MS18276-2 | 62 | 4 | 1757823-4 | |
| 4 | M24308/4-266 | M24308/4-265 | M24308/4-264 | | | | | | | | | | .049 [1.24] | .432 [10.97] | 1.635 [41.53] | .236 [5.99] | .436 [11.07] | .509 [12.93] | .334 [8.48] | 1.857 [47.17] | 1.539 [39.09] | 2.103 [53.42] | MS18275-2 | 44 | 3 | 1757823-3 | |
| 4 | M24308/4-265 | M24308/4-264 | | | | | | | | | | | .040 [1.02] | .412 [10.46] | 1.093 [27.76] | .238 [6.05] | .432 [10.97] | .509 [12.93] | .334 [8.48] | 1.317 [33.45] | .999 [25.37] | 1.556 [39.52] | MS18274-2 | 26 | 2 | 1757823-2 | |
| 4 | M24308/4-264 | | | | | | | | | | | | .040 [1.02] | .412 [10.46] | .769 [19.53] | .238 [6.05] | .432 [10.97] | .509 [12.93] | .334 [8.48] | .989 [25.12] | .671 [17.04] | 1.228 [31.19] | MS18273-2 | 15 | 1 | 1757823-1 | |

THIS DRAWING IS A CONTROLLED DOCUMENT.

DTN: C.C. THOMAS 6-3-05
 CHK: D. MILLER 6-8-05
 APVD: D. MILLER 6-8-05

STE TE Connectivity

AMPLIMITE PLUG ASSY, SIZE 1 THRU 6 SERIES 90 WITH ZINC PLATED SHELLS

SIZE: A1 CAGE CODE: 00779 DRAWING NO: 1757823

SCALE: 4:1 SHEET 1 OF 1 REV G