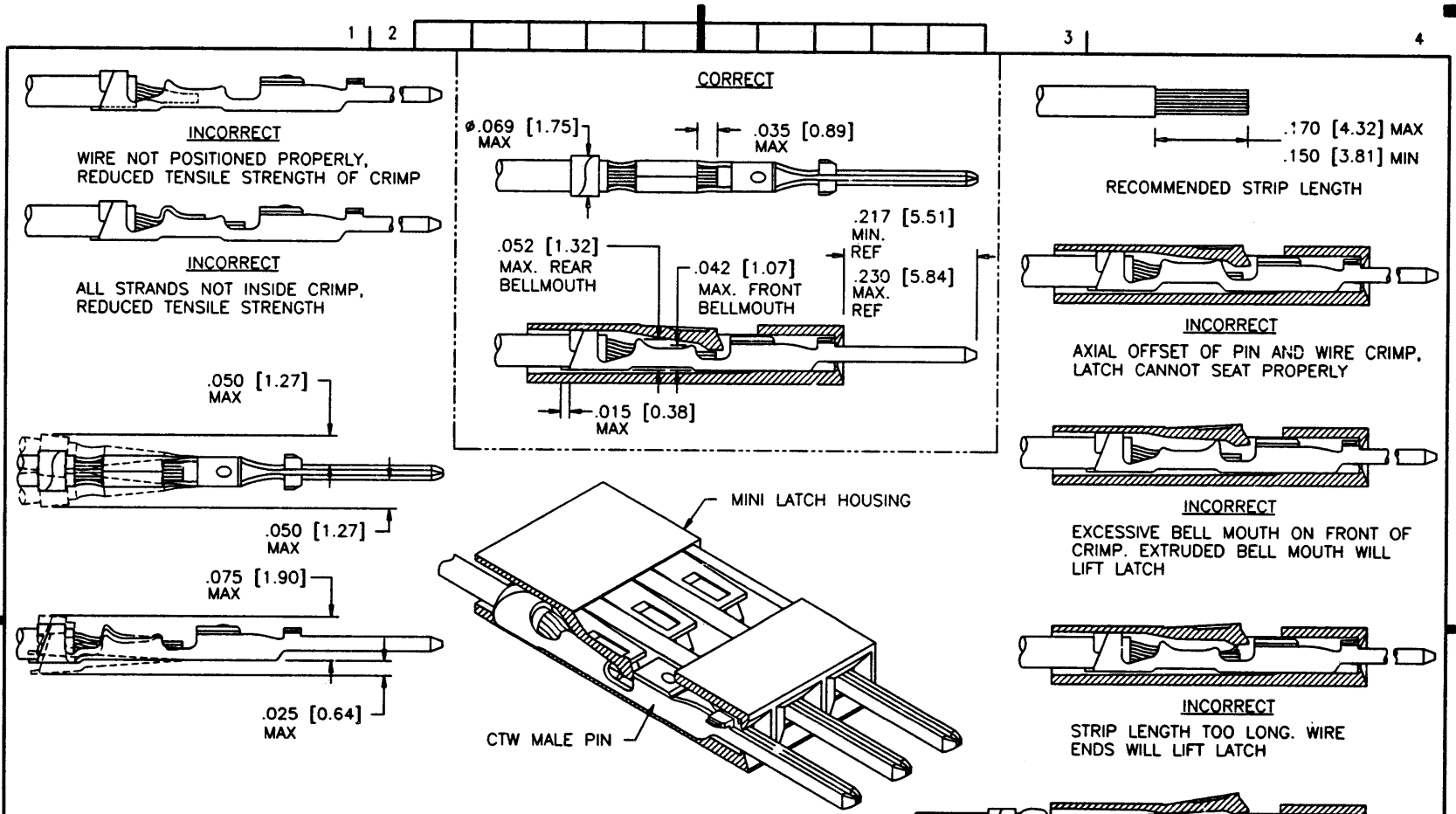


All rights strictly reserved. Reproduction or issue to third parties in any form
 whatever is not permitted without written authority from the proprietor.
 Property of © BERG ELECTRONICS Copyright BERG ELECTRONICS INC.

Tous droits strictement réservés. Reproduction ou communication à des tiers interdite
 sous quelque forme que ce soit sans autorisation écrite du propriétaire.
 Propriété de © BERG ELECTRONICS. Droits de reproduction BERG ELECTRONICS INC.



CTW MALE PIN DISCRETE CONTACT				
WIRE SIZE AWG	CRIMP HEIGHT		INSULATION DIA.	
18-20	.040-.042	1.02-1.07	.042-.103	1.07-2.62
22-26	.030-.032	0.76-0.81	.038-.103	0.96-2.62
28-32	.024-.026	0.61-0.66	.032-.054	0.81-1.37

CTW MALE PIN FOR USE IN MINI LATCH HOUSING				
WIRE SIZE AWG	CRIMP HEIGHT		INSULATION DIA.	
20	.040-.042	1.02-1.07	.042-.060	1.07-1.52
22-26	.030-.032	0.76-0.81	.038-.060	0.96-1.52
28-32	.024-.026	0.61-0.66	.032-.054	0.81-1.37

mat'l. code		tolerances unless otherwise specified		CUSTOMER COPY		BERG ELECTRONICS	
ltr	ecn no	dr	date	linear	projection	title	
A	REDRAWN	DH	10/31/74			CTW MALE PIN/MINI LATCH APPLICATION DATA	
B	REVISED	JV	9/5/75			product family	MINILATCH
C	REVISED	KS	12/16/80	angles		size	dwg no
D	REVISED	EBY	11/13/85	dr	M.CLOUSER	8/26/94	code
E	V11543	JWB	6/21/91	engr	T.HANNA	8/26/94	-
F	V40928	MSC	8/26/94	chr	T.HANNA	8/26/94	sheet
				appd	T.HANNA	8/26/94	1 of 1
sheet index	revision	F					
	sheet	1					