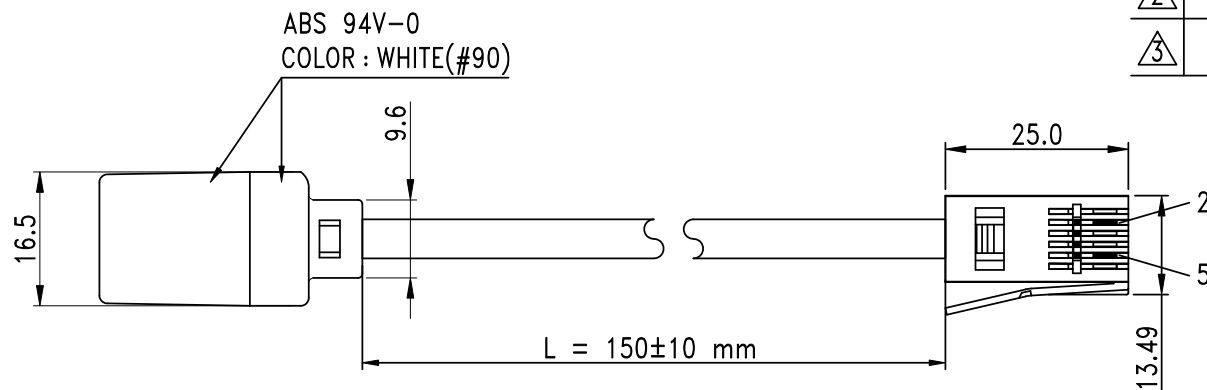


	ISSUE	REVISED	DRAWN	DATE
①				
②				
③				

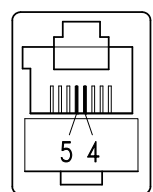


UK PLUG,
6P2C Fu

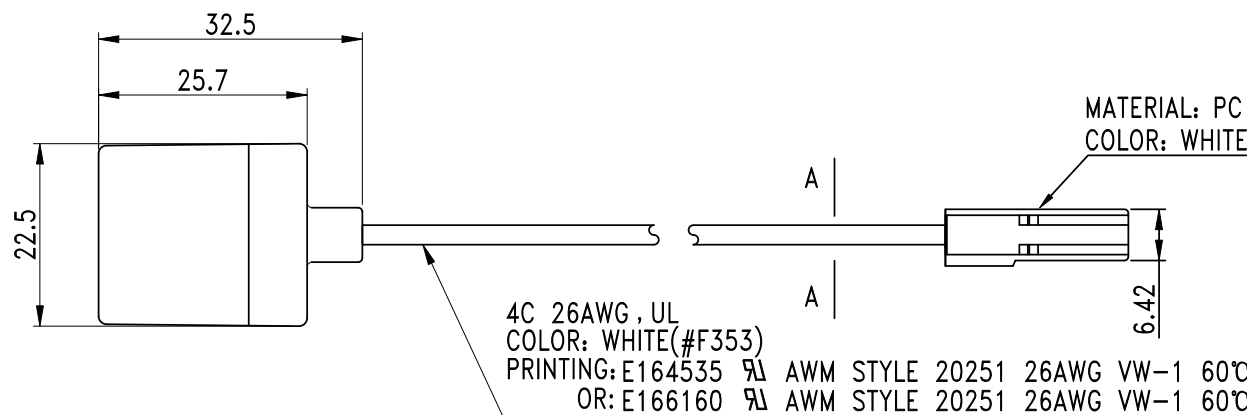
US JACK,
8P2C Fu

UK PLUG,
6P2C Fu

- | | |
|-----|----------|
| 4 | 2 (BK) |
| CUT | CUT (RD) |
| CUT | CUT (GN) |
| 5 | 5 (YL) |



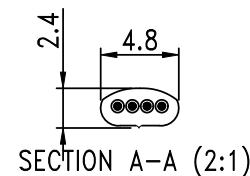
US JACK,
8P2C Fu



4C 26AWG, UL
COLOR: WHITE(#F353)

PRINTING: E164535 91 AWM STYLE 20251 26AWG VW-1 60°C 150V
OR: E166160 91 AWM STYLE 20251 26AWG VW-1 60°C 150V

MATERIAL: PC
COLOR: WHITE



P/N: BK4507

DESCRIPTION : Modular Extension Cord With Single Jack

SCALE	N/A	DATE	'17.07.03	CHECKED		ISSUE: A	SHEET 1 OF 1	TOLERANCES UNLESS OTHERWISE STATED
SIZE	A4	DRAWN	LIAO	APPROVED		CUSTOMER:	DWG No.	
UNIT	mm	AFFIRM		STANDARDIZE				X. = ± 1 .X = ± 0.5 .XX = ± 0.2