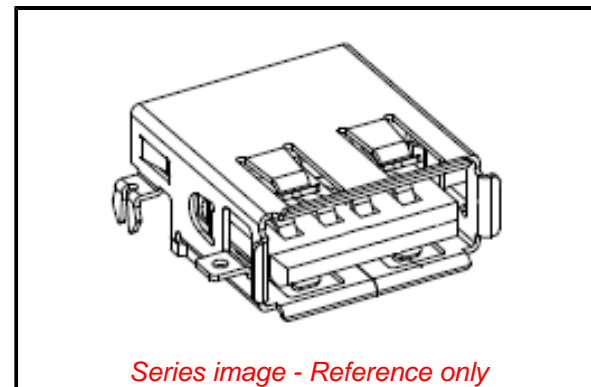


PLEASE CHECK WWW.MOLEX.COM FOR LATEST PART INFORMATION

Part Number: **0482580002**
Status: **Active**
Overview: USB Products and Solutions
Description: Universal Serial Bus (USB) Shielded I/O Receptacle, Type A, Right-Angle, Sink Reverse Type, Mid Mount with Side Flange and Beveled Metal Pins, 0.76µm Gold (Au) Plating, Lead-Free

Documents:

3D Model	Product Specification TS-48258-001-001 (PDF)
Drawing (PDF)	Packaging Specification PK-48258-002 (PDF)
Product Specification PS-48258-001-001 (PDF)	RoHS Certificate of Compliance (PDF)



General

Product Family	I/O Connectors
Series	48258
Application	Wire-to-Board
Comments	USB A Sink
Component Type	Receptacle
Overview	USB Products and Solutions
Product Name	USB 2.0
Type	A
UPC	883906963248

Physical

Boot Color	N/A
Circuits (Loaded)	4
Circuits (maximum)	4
Gender	Receptacle
Keying to Mating Part	Yes
Lock to Mating Part	Yes
Material - Plating Mating	Gold
Material - Plating Termination	Tin
Net Weight	1.570/g
Number of Rows	1
Orientation	Right Angle
PCB Retention	Yes
Packaging Type	Embossed Tape on Reel
Panel Mount	Yes
Pitch - Mating Interface	2.50mm
Pitch - Termination Interface	2.50mm
Plating min - Mating	0.762µm
Plating min - Termination	3.048µm
Polarized to Mating Part	Yes
Polarized to PCB	Yes
Ports	1
Surface Mount Compatible (SMC)	No
Temperature Range - Operating	-25° to +85°C
Termination Interface: Style	Through Hole
Waterproof / Dustproof	No

Electrical

Current - Maximum per Contact	1.5A
Shield Type	Full Shield
Shielded	Yes
Voltage - Maximum	250V AC

Solder Process Data

EU ELV

Not Relevant

EU RoHS

Compliant

REACH SVHC

Not Contained Per - ED/61/2018 (27 June 2018)

Halogen-Free

Status

Low-Halogen

Need more information on product environmental compliance?

Email productcompliance@molex.com
Please visit the [Contact Us](#) section for any non-product compliance questions.

China ROHS	Green Image
ELV	Not Relevant
Prop65	Compliant
RoHS Phthalates	Not Contained

Search Parts in this Series

[48258 Series](#)

Mates With

USB A Type Plug

Duration at Max. Process Temperature (seconds)	010
Lead-freeProcess Capability	REFLOW
Max. Cycles at Max. Process Temperature	001
Process Temperature max. C	260

Material Info

Reference - Drawing Numbers

Packaging Specification	PK-48258-002
Product Specification	PS-48258-001-001, TS-48258-001-001
Sales Drawing	SD-48258-002

This document was generated on 09/10/2018

PLEASE CHECK WWW.MOLEX.COM FOR LATEST PART INFORMATION