



**EASY TILT
 ADJUSTMENT**

BT7511

FLAT SCREEN WALL MOUNT WITH TILT

Designed to mount small flat screens, the BT7511 features easy tilt adjustment of +17° / -10° and is suitable for screens up to 20kg, the wall plate features 'OWLS' on wall levelling system to ensure a straight and smart installation and comes supplied with security screws to help prevent unauthorized removal of the screen. The BT7511 is also compatible with B-Tech's range of poles and collars, increasing the number of different ways it can be mounted.

SPECIFICATION

Recommended screen size	up to 28"
Max load	20kg
VESA® compatibility	up to 100 x 100
Tilt adjustment	+17 / -10°
Distance from wall	55mm
Colour	Black

FEATURES

- Easy tilt adjustment
- Features 'OWLS' On Wall Levelling System
- Compatible with B-Tech System 2 professional range
- Mounts to B-Tech BT7850 poles using x1 BT7841 Accessory Collar
- Security locking screws and Allen key provided help prevent unauthorised removal of the screen
- Simple 'hook-on' installation
- All mounting hardware included



VESA 100 | 28" / 71cm | 20KG | 10° / 17° | [VESA icon]



Easy tilt adjustment of +/-18°



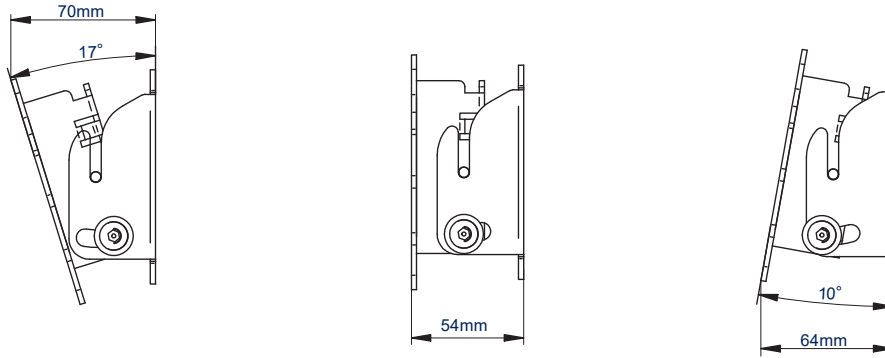
'OWLS' On Wall Levelling System



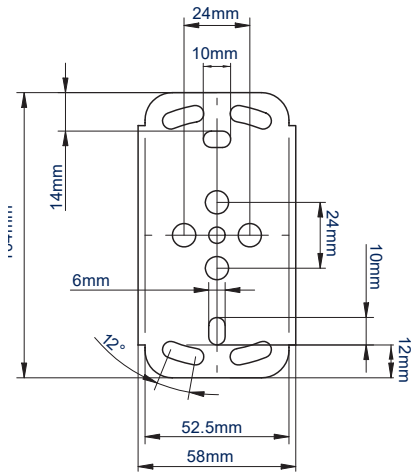
Security locking screws help prevent unauthorised removal of the screen



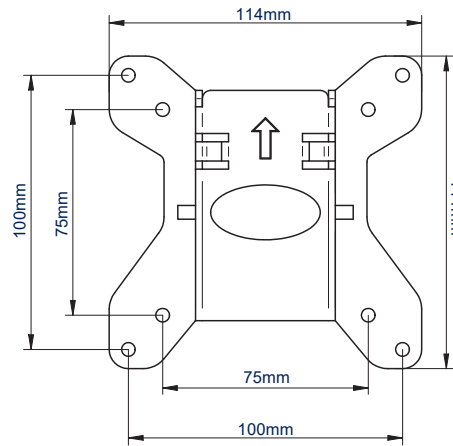
Compatible with B-Tech's professional range of poles and collars



TILT RANGE - SIDE VIEW



WALL PLATE - FRONT VIEW



INTERFACE PLATE - FRONT VIEW

PACKING INFORMATION

COLOUR:	ORDER REF:	EAN CODE:	MASTER CARTON QTY:	INNER CARTON QTY:	MASTER CARTON WEIGHT:	MASTER CARTON CUBE:
Black	BT7511-PRO/B	5019318751127	16	0	10.5kg	0.027cbm

ORIGINAL DESIGNS BY B-TECH AV MOUNTS - REGISTERED DESIGNS & PATENTS APPLY

RELATED PRODUCTS AND ACCESSORIES OF THE BT75 11

<p>BT7518</p> 	<p>BT7822</p> 	<p>BT7850</p> 	<p>BT7841</p> 
--	--	---	--

Flat Screen Wall Mount with Tilt & Swivel
for screens up to 28"

Heavy Duty Floor / Ceiling Mount
Can be used in conjunction with B-Tech poles and collars to create pole mounted solutions

Ø50mm Poles available in different lengths up to 3m

Accessory Collars attaches the mount to Ø50mm poles

© 2016 B-Tech Professional Design & Manufacturing Ltd. All rights reserved.
 The information in this specification is for reference only and does not constitute an offer of any product. B-Tech Professional Design & Manufacturing Ltd. is not responsible for any damage or loss of data caused by improper use of the product. B-Tech Professional Design & Manufacturing Ltd. is not responsible for any damage or loss of data caused by improper use of the product. B-Tech Professional Design & Manufacturing Ltd. is not responsible for any damage or loss of data caused by improper use of the product. B-Tech Professional Design & Manufacturing Ltd. is not responsible for any damage or loss of data caused by improper use of the product.

SS-BT7511-V2-130318