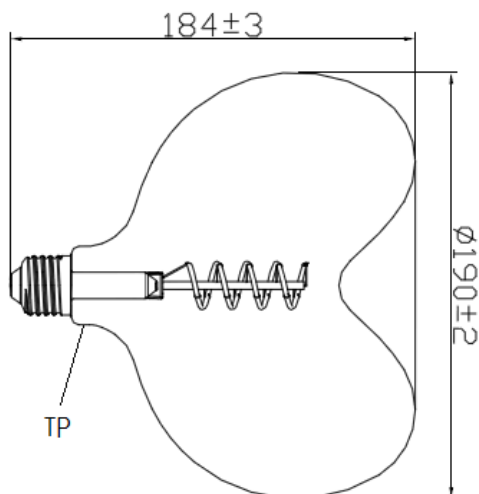




DIMENSIONS (mm):

Energy Class : **A**



Bulb type : G190
Cap type : E27

Finish : Black
Light Colour : 820 Candle Light

ELECTRICAL DATA:		RATED	MIN.	MAX.
Lamp Wattage	(W) :	4.0	-	4.4
Lamp Voltage	(V) :	220-240	198	264
Lamp Current	(mA) :	22		
Power Factor	(λ) :	0.7	0.5	-
Supply Frequency	(Hz) :	50 / 60		
Energy Consumption per 1000h	(kW/h) :	4.0		

PHOTOMETRIC DATA:				
Luminous Flux	(lm) :	150	135	-
Luminous Efficacy	(lm/W) :	38		
Correlated Colour Temperature	(K) :	2000		
Colour Rendering Index	(Ra) :	80	77	-
Red Colour Rendition	(R9) :	5	0	
Chromaticity Co-ordinates	(x,y) :	CCx=0.5350 CCy=0.4143		

OPERATING CONDITIONS:				
Ta Ambient temperature range	(°C) :	25	-20	40
Tp Point	(°C) :	85	-	-
Starting Time	(s) :	-	-	0.5
Inrush Current	(A) :	1.42		
Inrush Duration	(µs) :	66		
IP Degree	:	IP20		
PBS	:	RG1		
Warm-up Time to >95% Flux	(s) :	-	-	2.0
Burning Position	:	General		
External Control Gear type	:	None		

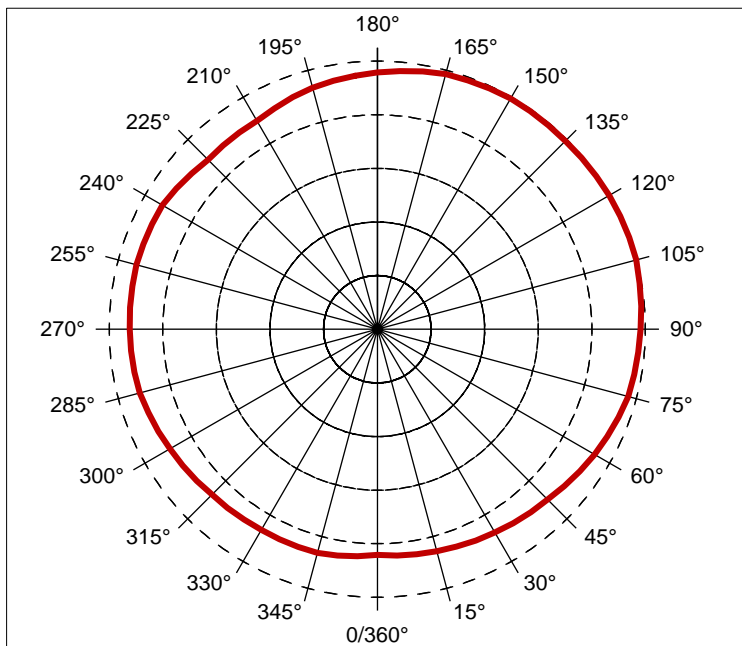
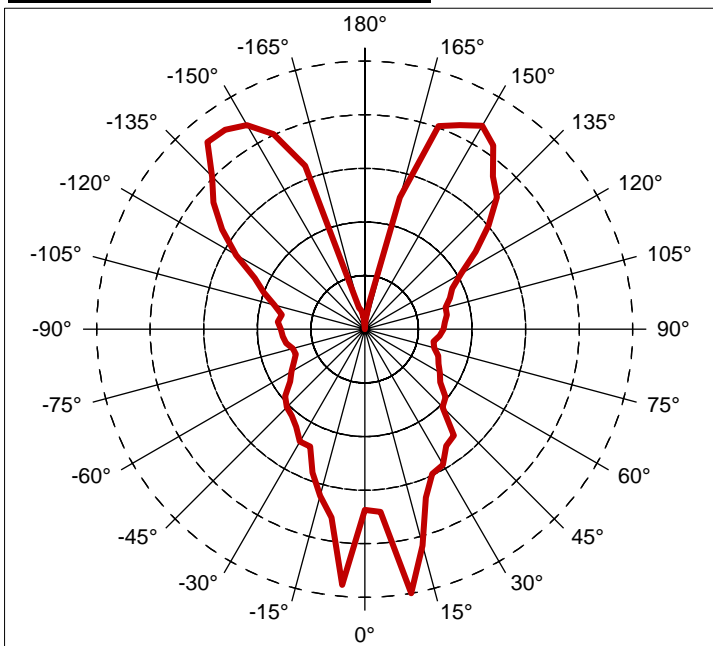
LAMP LIFE:			
Average Life (L _{70F50})	(h) :	15,000	
Switching Cycles	(#) :	100,000	

APPLICATION: Not suitable for use in totally enclosed luminaires.
Broad compatibility with dimmer switches / electronic timers / electronic switches.
Complies with IEC62560, IEC62612, IEC62471, IEC61547, IEC61000, EN55015, EN62493.

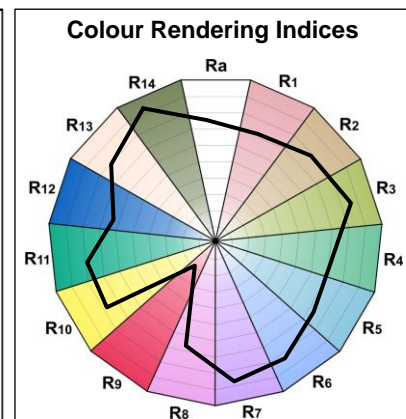
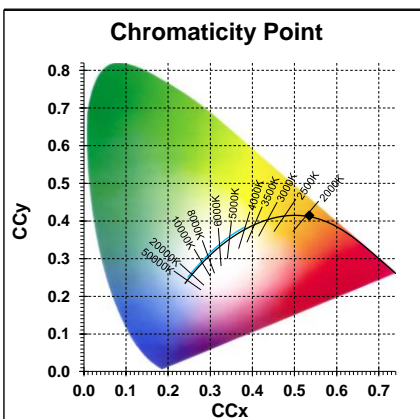
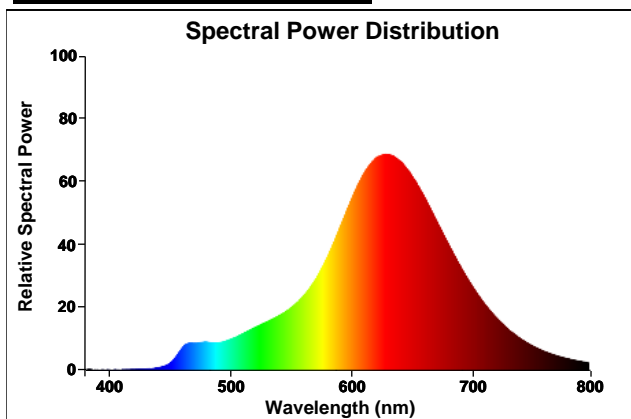
Issued by : GUANGZHOU	DATA SHEET	Spec No. : AEC_L-LED-G190-0029981
Date : 12.04.2019		Supers
Revision date :		Page 1 of 2



PHOTOMETRIC GRAPHICS:



SPECTRAL GRAPHICS:



PERFORMANCE GRAPHICS:

Issued by : GUANGZHOU
Date : 12.04.2019
Revision date :

DATA SHEET

Spec No. : AEC_L-LED-G190-0029981
Supers
Page 2 of 2