



Table of Contents

PPAP Package for:

Customer Name: Newark Electronics
Customer Part Number: 65T3290
(TE Connectivity Part Number): 1670146-1
Date: August 2020

Section A	<u>Nondisclosure Agreement</u>
Section # 1	<u>Design Records</u>
Section # 2	<u>Engineering Change Documents</u>
Section # 3	<u>Customer Engineering Approval</u>
Section # 4	<u>Design FMEA</u>
Section # 5	<u>Process Flow Diagrams</u>
Section # 6	<u>Process FMEA</u>
Section # 7	<u>Control Plan</u>
Section # 8	<u>Measurement Systems Analysis Studies</u>
Section # 9	<u>Dimensional Results</u>
Section # 10	<u>Material, Performance Test Results</u>
Section # 11	<u>Initial Process Study</u>
Section # 12	<u>Qualified Laboratory Documentation</u>
Section # 13	<u>Appearance Approval Report</u>
Section # 14	<u>Sample Product</u>
Section # 15	<u>Master Sample</u>
Section # 16	<u>Checking Aids</u>
Section # 17	<u>Records Of Compliance With Customer-Specific Requirements</u>
Section # 18	<u>Part Submission Warrant</u>
Section # 18a	<u>Bulk Material Requirements</u>



Nondisclosure Agreement

If a nondisclosure agreement has been reached with your company, it will be included on the following page(s). Please review the terms of this agreement to ensure that further actions associated with information contained within this PPAP package do not violate these terms.

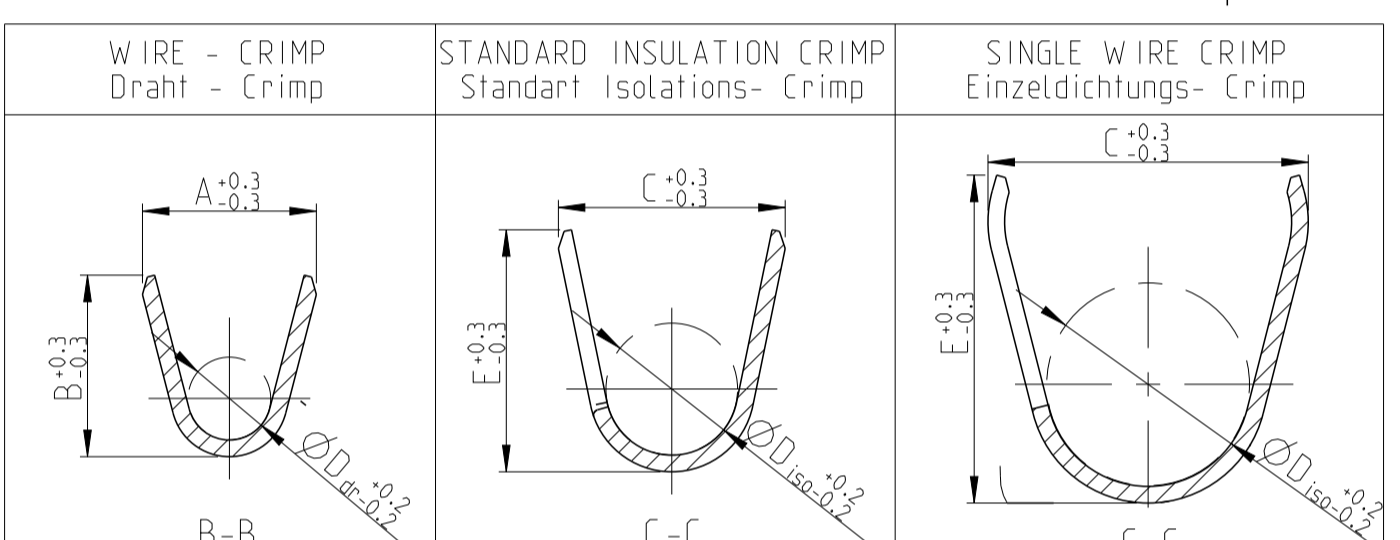
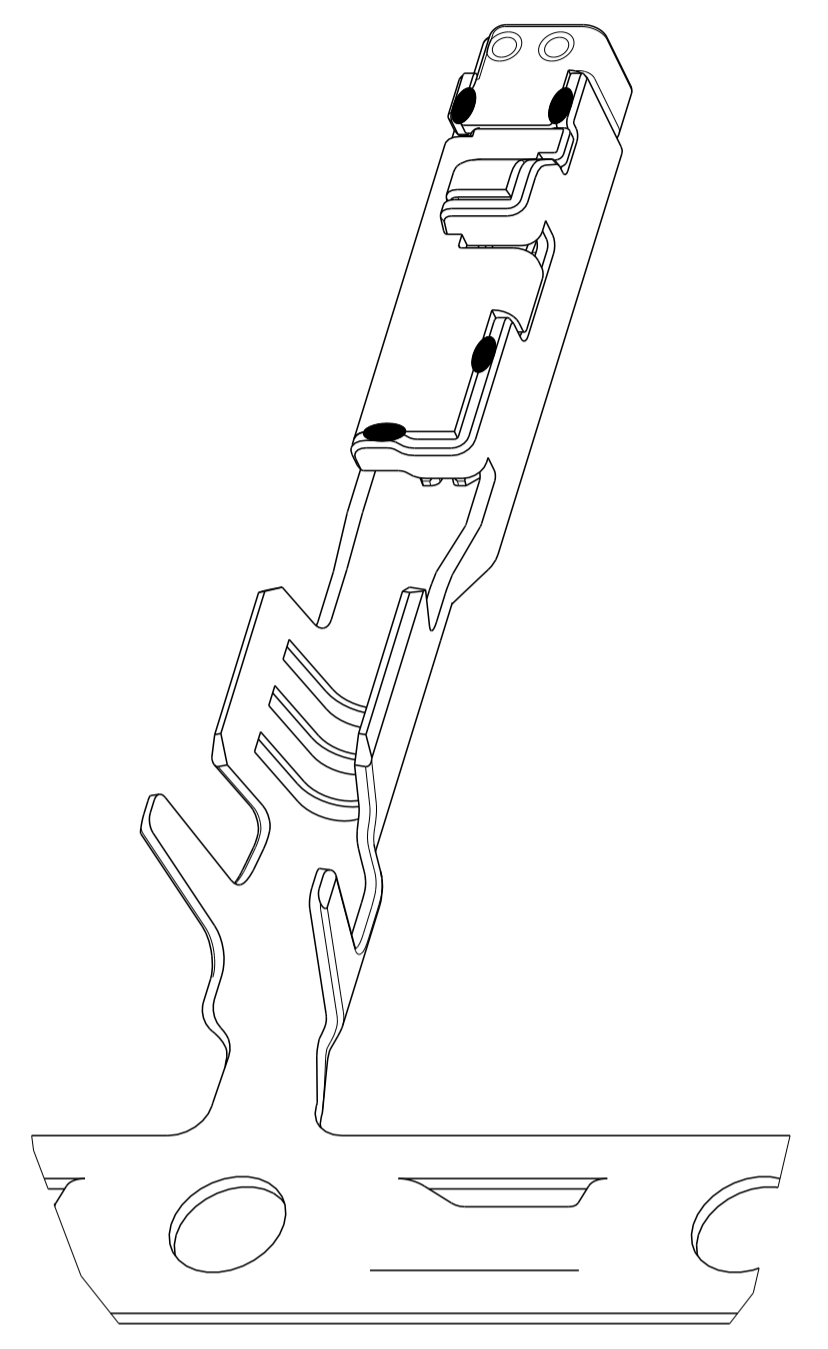
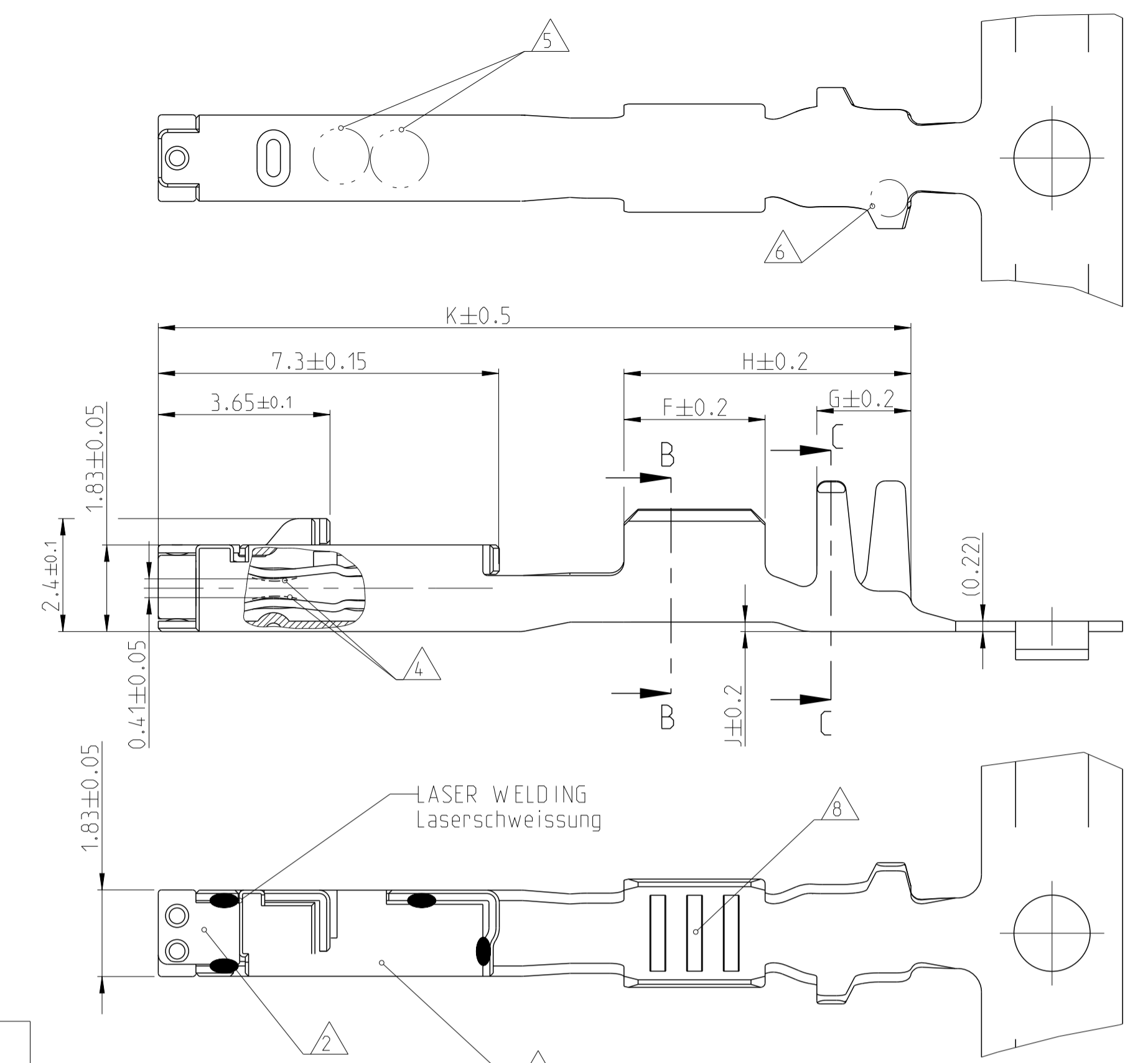
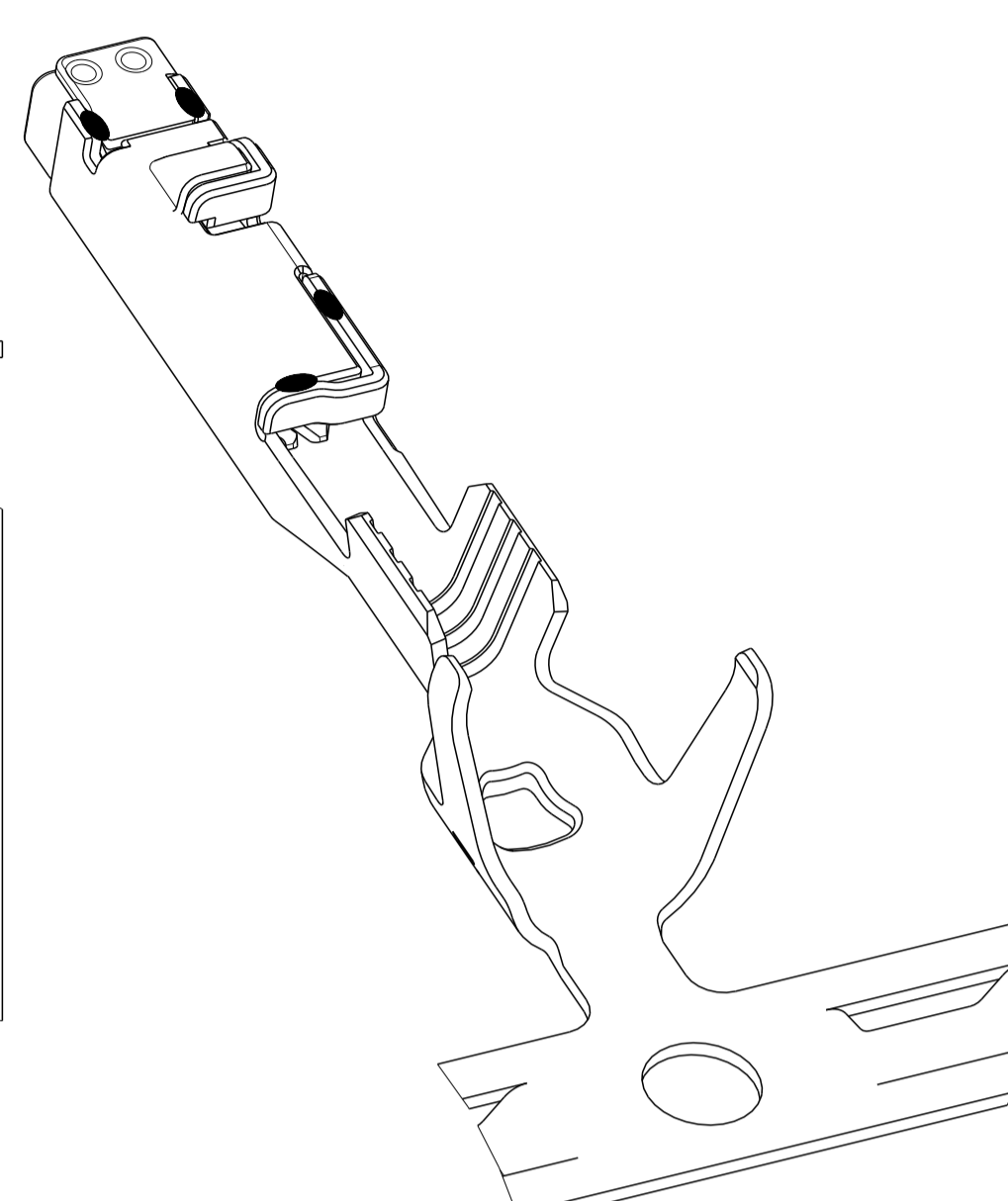
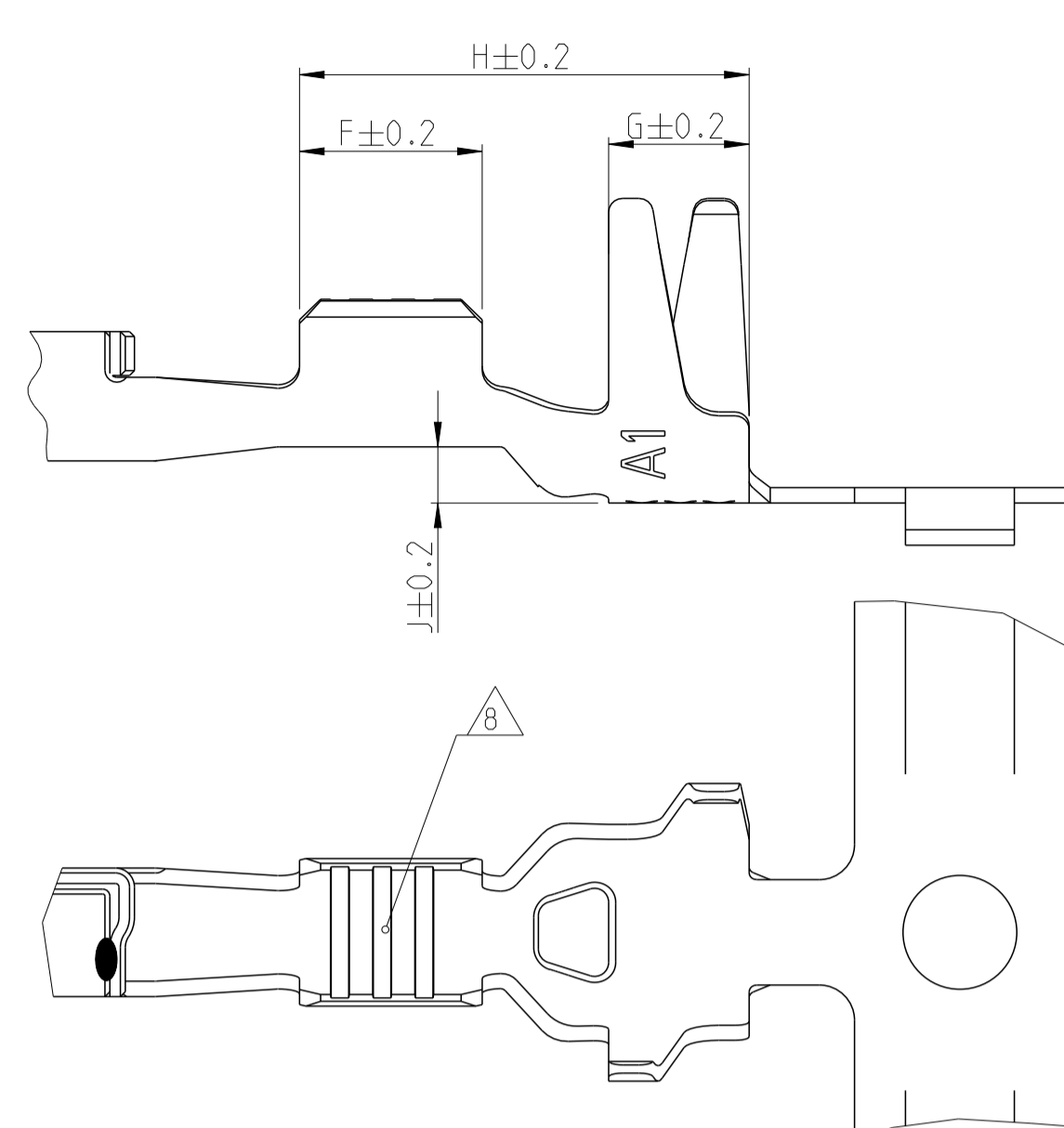
If a nondisclosure agreement HAS NOT been reached, certain documents deemed confidential by TE Connectivity will not be included in this PPAP package. These documents include but are not limited to the Design FMEA, the Process Flow Diagram, the Process FMEA and the Control Plan. These documents can be reviewed by you company but cannot be retained.



Section 1

Design Records

REVISIONS							
LOC	DIST	P	LTN	DESCRIPTION	DATE	DMN	APVD
A1	-	G2	PN 1394897 AND 1418847 OBSOLETE		15NOV2012	S.R.	C.G.
		G3	ECR-14-006680 CANCELED		12JUN2014	Abt	Raab
		G4	Loose Piece Parts removed from Table. ECR-14-012725		25AUG2014	Abt	Raab
		G5	Tolerance from dim. J changed (drawing failure)		02FEB2015	Ho.	Raab



VERSION / Ausführung	Rev.	BODY Kontakt-koerper	SPRING Kontakt-feder	BODY Kontakt-koerper	SPRING Kontakt-feder	RANGE Bereich	AWG	mm ²	INSULATION ϕ Isolations- ϕ	A	(B)	D _{Dr}	C	E	D _{ISO}	WIRE CRIMP Drahtcrimp	ISOLATION CRIMP Isolationscrimp	LOOSE PIECE / Einzelausführung	F	G	H	J	K	SINGLE WIRE SEAL FOR CAVITY DIAMETER: Einzeldichtung fuer Kammerdurchmesser: ORDER NO./Bestell-Nr.	BLIND PLUG Blindstopfen	TE NO.	MASTER APPLICATION TOOL Basis Crimp-Werkzeug	DIE-PN FOR BASIC-HAND TOOL 539635-1 ERGO-CRIMP Matrizen PN fuer Basisbandzange 539635-1 ERGO-Crimp	EXTRACTION TOOL Ausdruckwerkzeug 0-1579007-8	EXTRACTION TOOL FOR SECONDARY LOCK 1-1579007-0 Ausdruckwerkzeug fuer zweite Kontaktsicherung	
																															AS PRODUCTS ON CARRIERSTRIP wie Bandware
1418841-3	-	CuSn0.15	CuNi3Si	TIN PLATED verzinkt	SILVER PLATED versilbert	0.14-	26	0.14	1.05	2.6	2	6.4	0.8	16	-	967067-2	963142-2	AS PRODUCTS ON CARRIERSTRIP wie Bandware	963143-1 (ϕ 3.95) / 967056-1 (ϕ 3.55)	1528151		4-1579001-8									
1418841-2	-	CuSn0.15	CuNi3Si	TIN PLATED verzinkt	GOLD PLATED vergoldet	0.22	-	0.22	1.2	1.55	1.55	0.65	4.25	4.3	2.6	-	-	-	-	-	-	-	-	-	-	-	-	-	-	-	-
1418841-1	-	CuSn0.15	CuNi3Si	TIN PLATED verzinkt	SILVER PLATED versilbert	0.25-	24	-	1.1-	2.6	2	6.4	0.8	16	-	967067-2	963142-2	-	-	1528152		3-1579001-9									
1418844-3	C	CuSn0.15	CuNi3Si	TIN PLATED verzinkt	GOLD PLATED vergoldet	0.35	-	0.35	1.75	1.85	1.85	0.8	4.25	4.3	2.6	-	967067-1	963142-1	-	-	1528674		5-1579021-7								
1418844-2	C	CuSn0.15	CuNi3Si	TIN PLATED verzinkt	SILVER PLATED versilbert	0.5-	20	0.5	1.4-	2.1	2.1	1.1	4.25	4.3	2.7	-	-	-	-	-	-	-	-	-	-	-	-	-	-	-	
1418844-1	C	CuSn0.15	CuNi3Si	TIN PLATED verzinkt	GOLD PLATED vergoldet	0.75	-	0.75	1.9	2.6	2	6.4	0.8	16	-	967067-1	963142-1	-	-	1528154		3-1579001-7									
1670146-3	A	CuSn0.15	CuNi3Si	TIN PLATED verzinkt	SILVER PLATED versilbert	1.0-	18	-	1.9-	2.6	2.95	1.3	4.45	4.3	2.9	-	-	-	-	-	-	-	-	-	-	-	-	-	-	-	
1670146-2	A	CuSn0.15	CuNi3Si	TIN PLATED verzinkt	GOLD PLATED vergoldet	1.5	-	1.5	2.4	2.6	2	6.8	0.8	16.5	-	967067-1	967067-1	-	-	1528153		3-1579001-8									
1670146-1	A	CuSn0.15	CuNi3Si	TIN PLATED verzinkt	SILVER PLATED versilbert	0.14-	26	0.14	1.05	2.6	2	5.7	0	15	-	-	-	-	-	1528146		3-1579001-6									
1418847-3	D	CuSn0.15	CuNi3Si	TIN PLATED verzinkt	GOLD PLATED vergoldet	0.25-	24	-	1.1-	1.85	1.85	0.8	2.65	2.65	1.4	-	-	-	-	1528147		0-1579001-6									
1418847-2	D	CuSn0.15	CuNi3Si	TIN PLATED verzinkt	SILVER PLATED versilbert	0.35	-	0.35	1.75	2.6	2	5.7	0.2	15	-	-	-	-	-	1528148		0-1579001-5									
1418847-1	D	CuSn0.15	CuNi3Si	TIN PLATED verzinkt	GOLD PLATED vergoldet	0.5-	20	0.5	1.4-	2.1	2.1	1.1	2.8	2.9	1.6	-	-	-	-	1528673		5-1579021-6									
1418850-3	B	CuSn0.15	CuNi3Si	TIN PLATED verzinkt	SILVER PLATED versilbert	0.75	-	0.75	1.9	2.3	2.5	1.1	3	3.2	1.75	-	-	-	-	1528148		0-1579001-5									
1418850-2	B	CuSn0.15	CuNi3Si	TIN PLATED verzinkt	GOLD PLATED vergoldet	1.0-	18	-	1.9-	2.6	2.95	1.3	3.75	3.95	2.1	-	-	-	-	1528150		1-1579001-3									
1418850-1	B	CuSn0.15	CuNi3Si	TIN PLATED verzinkt	SILVER PLATED versilbert	1.5	-	1.5	2.4	2.6	2	6.1	0.2	16	-	-	-	-	-	1528148		0-1579001-5									
1452500-3	-	CuSn0.15	CuNi3Si	TIN PLATED verzinkt	GOLD PLATED vergoldet	0.14-	26	0.14	1.05	2.6	2	6.1	0.2	16	-	-	-	-	-	1528150		1-1579001-3									
1452500-2	-	CuSn0.15	CuNi3Si	TIN PLATED verzinkt	SILVER PLATED versilbert	0.22	-	0.22	1.2	1.55	1.55	0.65	2.1	2.1	1.1	-	-	-	-	1528146		3-1579001-6									
1452500-1	-	CuSn0.15	CuNi3Si	TIN PLATED verzinkt	GOLD PLATED vergoldet	0.35	-	0.35	1.75	1.85	1.85	0.8	2.65	2.65	1.4	-	-	-	-	1528147		0-1579001-6									
1534594-3	E	CuSn0.15	CuNi3Si	TIN PLATED verzinkt	SILVER PLATED versilbert	0.5-	20	0.5	1.4-	2.1	2.1	1.1	2.8	2.9	1.6	-	-	-	-	1528673		5-1579021-6									
1534594-2	E	CuSn0.15	CuNi3Si	TIN PLATED verzinkt	GOLD PLATED vergoldet	0.75	-	0.75	1.9	2.3	2.5	1.1	3	3.2	1.75	-	-	-	-	1528148		0-1579001-5									
1534594-1	E	CuSn0.15	CuNi3Si	TIN PLATED verzinkt	SILVER PLATED versilbert	1.0-	18	-	1.9-	2.6	2.95	1.3	3.75	3.95	2.1	-	-	-	-	1528150		1-1579001-3									
1670144-3	A	CuSn0.15	CuNi3Si	TIN PLATED verzinkt	GOLD PLATED vergoldet	0.25-	24	-	1.1-	1.85	1.85	0.8	2.65	2.65	1.4	-	-	-	-	1528147		0-1579001-6									
1670144-2	A	CuSn0.15	CuNi3Si	TIN PLATED verzinkt	SILVER PLATED versilbert	0.35	-	0.35	1.75	2.6	2	5.7	0.2	15	-	-	-	-	-	1528148		0-1579001-5									
1670144-1	A	CuSn0.15	CuNi3Si	TIN PLATED verzinkt	GOLD PLATED vergoldet	0.5-	20	0.5	1.4-	2.1	2.1	1.1	2.8	2.9	1.6	-	-	-	-	1528673		5-1579021-6									
1394897-3	E	CuSn0.15	CuNi3Si	TIN PLATED verzinkt	SILVER PLATED versilbert	0.75	-	0.75	1.9	2.3	2.5	1.1	3	3.2	1.75	-	-	-	-	1528148		0-1579001-5									
1394897-2	E	CuSn0.15	CuNi3Si	TIN PLATED verzinkt	GOLD PLATED vergoldet	1.0-	18	-	1.9-	2.6	2.95	1.3	3.75	3.95	2.1	-	-	-	-	1528150		1-1579001-3									
1394897-1	E	CuSn0.15	CuNi3Si	TIN PLATED verzinkt	SILVER PLATED versilbert	1.5	-	1.5	2.4	2.6	2	6.1	0.2	16	-	-	-	-	-	1528148		0-1579001-5									
1452503-3	C	CuSn0.15	CuNi3Si	TIN PLATED verzinkt	GOLD PLATED vergoldet	0.14-	26	0.14	1.05	1.55	1.55	0.65	2.1	2.1	1.1	-	-	-	-	1528146		3-1579001-6									
1452503-2	C	CuSn0.15	CuNi3Si	TIN PLATED verzinkt	SILVER PLATED versilbert	0.22	-	0.22	1.2	1.85	1.85	0.8	4.25	4.3	2.6	-	-	-	-	1528147		0-1579001-6									
1452503-1	C	CuSn0.15	CuNi3Si	TIN PLATED verzinkt	GOLD PLATED vergoldet	0.35	-	0.35	1.75	2.6	2	5.7	0.2	15	-	-	-	-	-	1528148		0-1579001-5									

NOTES

- 1 BODY
 - 2 SPRING
 - 3 ONLY FOR FLR-WIRE SEE DIN 72551. PART 6 AND AWG WIRE ACCORDING DC-SPEC: MS-8288; MS-7889; MS-9532
 - 4 SURFACE
 - a) BODY -PRE TIN 1 TO 3 μ m
 - b) SPRING -PRE TIN SnAg 1 TO 3 μ m
 - GOLD PLATED MIN. 0.8 μ m (ONLY CONTACT AREA)
 - SILVER PLATED 2 TO 5 μ m (ONLY CONTACT AREA)
 - 5 STAMPED INDICATOR FOR PLATING:
 - A U GOLD PLATING
 - A G SILVER PLATING
 - TIN PLATING WITHOUT INDICATOR
 - 6 OPTIONAL DATE CODE
 - 7 1394897-1, -2, -3 superseded by 1670144-1, -2, -3
1418847-1, -2, -3 superseded by 1670146-1, -2, -3
- CAUTION!
PART NUMBERS 1670144 AND 1670146 ARE PROCESSED WITH OTHER CRIMP HEIGHTS. SEE APPLICATION SPECIFICATION NO.114-18464 UP FROM REVISION "P"

Bemerkungen

- 1 Kontaktkoerper
 - 2 Kontaktfeder
 - 3 Nur fuer FLR-Leitung nach DIN 72551. Teil 6 und AWG Leitung nach DC-Spec: MS-8288; MS-7889; MS-9532
 - 4 Oberflaeche
 - a) Kontaktkoerper -verzinkt 1 bis 3 μ m
 - b) Kontaktfeder -verzinkt SnAg 1 bis 3 μ m
 - galv. vergoldet min. 0.8 μ m (nur Kontaktzone)
 - galv. versilbert 2 bis 5 μ m (nur Kontaktzone)
 - 5 Markierung fuer galvanische Ausfuehrung:
 - A U vergoldet
 - A G versilbert
 - Verzinkt: ohne Markierung
 - 6 Optional Datumscode
 - 7 1394897-1, -2, -3 ersetzt durch 1670144-1, -2, -3
1418847-1, -2, -3 ersetzt durch 1670146-1, -2, -3
- ACHTUNG!
Teilenummern 1670144 und 1670146 werden mit anderen Crimphoehen verarbeitet. Siehe Verarbeitungsspezifikation Nr.114-18464 ab Revision "P"

THIS DRAWING IS A CONTROLLED DOCUMENT.

DIMENSIONS:	TOLERANCES UNLESS OTHERWISE SPECIFIED:	DMN	17AUG2001	TE Connectivity		
mm	0 PLC #0.2	G. Hotea	11MAR2002	MCON 1.2 CB (CLEAN BODY)		
	1 PLC #0.2	C. E. Herth	12MAR2002	Customer Drawing		
	2 PLC #0.2	H. Wendling		SCALE 10:1 SHEET 1 OF 1 REV G5		
	3 PLC #0.2					
	4 PLC #0.2					
	ANGLES #°					
MATERIAL:	FINISH:	WTGHT	0.18 g			

Section 2

Engineering Change Documents



Product Change Notification

Current Date: 26-Feb-2020

TE Connectivity

Product Change Notification: P-20-018730

PCN Date: 25-FEB-20

TE would like to inform you of the following change(s) to the listed TE Connectivity Product. In case of any further questions about this change(s), please contact your TE Connectivity Sales Engineer. Affected part, drawing and/or specification numbers are listed on the attached sheet(s).

General Product Description:
Multiple Part numbers. Phase 4. Americas Footprint Optimization

Description of Changes
We hereby inform you about a transfer of stamping dies from Burgess Rd. to further improve our Supply Chain towards our customers. The transfer follows a strict procedure, which fully maintains quality, ability to supply and form-fit-function of the concerned products. The receiving manufacturing location operates under a certified quality management system in accordance with standard automotive requirements. These moves will be validated not to affect product fit, form and function, tool geometry, quality performance or the quality management system TE will uphold our responsibility to internally validate and approve these tools among appropriate first article dimensional and capability analysis, comparative 2-sample T-tests before and after moves, before and after CT scans where needed, and PV testing as defined by TE product engineering. TE is willing to provide any such validation data to our customers as our joint non-disclosure agreement statuses allow.

Reason for Changes:
Product improvement. These changes are part of an overall effort from TE to improve our supply chain toward our customers, to focus each plant on core products and processes, and to provide an overall better experience from TE to our customer base. An internal release test based on the relevant part will be executed before delivery and this notification serves to fulfill our notification requirements as prescribed by AIAG 4th edition. This change notification document accompanies a letter sent to your organization on September 13, 2019 signed by our Vice President of Sales and Marketing. Follow up conversations can occur upon request with your sales contact within 15 calendar days after receipt of this PCN. If you have any questions or needs from this move, please contact your sales engineer within 15 days of receipt of this letter. If no response is received on this period, TE will consider this as an approval and tools must move to the new locations.

Estimated Dates:

Last Order Date (Obsolete Parts Only):	First Date To Ship (Changed Parts Only):
	30-SEP-2020
Last Ship Date (Obsolete Parts Only):	Last Date for Mixed Shipments: (Changed Parts Only):
	No Mixed Shipments

Part Number(s) being Modified:

Part Number	Part Discontinued per PCN	Customer Drawing	Alias Part Number(s)	Substitute Part Number	Substitute Alias Part Number(s)	Description Of Difference
1-1326031-0	NO					
1-1326031-1	NO					
1-1326031-2	NO					
1-1326032-0	NO					
1-1326032-1	NO					
1-1326032-2	NO					
1-1417746-2	NO					
1-1419158-6	NO					
1-1437284-0	NO		"13002630102"			
1-1437856-9	NO		"107463A"			
1-1438243-1	NO		"105277"			
1-1438299-0	NO					
1-1438299-1	NO					
1-1438543-1	NO					
1-1456574-1	NO					
1-1456574-2	NO					
1-1456574-3	NO					
1-1456574-4	NO					
1-1456574-5	NO					
1-1456574-6	NO					
1-1456574-7	NO					
1-1456574-8	NO					
1-1456841-1	NO					
1-1456841-2	NO					
1-1456841-3	NO					
1-1456841-4	NO					

Part Number	Part Discontinued per PCN	Customer Drawing	Alias Part Number(s)	Substitute Part Number	Substitute Alias Part Number(s)	Description Of Difference
1-1456841-5	NO					
1-1456841-6	NO					
1-1456841-7	NO					
1-1456841-8	NO					
1-1563844-1	NO					
1-1563844-3	NO					
1-1563845-1	NO					
1-1563845-3	NO					
1-1732466-0	NO					
1-1732467-0	NO					
1-175448-0	NO					
1-1924674-0	NO					
1-1924674-2	NO					
1-1924674-3	NO					
1-1924675-9	NO					
1-1924678-1	NO					
1-1924678-4	NO					
1-1924678-5	NO					
1-1924678-6	NO					
1-1924727-1	NO					
1-1924727-2	NO					
1-1924727-3	NO					
1-1924727-4	NO					
1-2035170-1	NO					
1-2035170-2	NO					
1-2035170-4	NO					
1-2035170-5	NO					
1-2035334-1	NO					
1-2035334-2	NO					
1-2035334-3	NO					
1-2035334-4	NO					
1-2035334-5	NO					
1-2035334-6	NO					
1-2035334-7	NO					
1-2035334-8	NO					
1-2035448-0	NO					
1-2035448-1	NO					
1-2098165-1	NO					
1-2098338-5	NO					
1-2098338-6	NO					
1-2098339-5	NO					
1-2098339-6	NO					
1-2098753-1	NO					
1-2098753-2	NO					
1-2098753-3	NO					
1-2098753-4	NO					
1-2098753-5	NO					
1-2098753-6	NO					
1-2098753-7	NO					
1-2098753-8	NO					
1-2103157-1	NO					
1-2103157-2	NO					
1-2137021-4	NO					
1-2137021-7	NO					
1-2138020-0	NO					
1-2203260-0	NO					
1-2288243-1	NO					
1-2288243-2	NO					
1-2288244-1	NO					
1-2288244-2	NO					
1-2321769-0	NO					
1-2321769-1	NO					
1-2336677-1	NO					
1-638623-6	NO					
1-638623-8	NO					

Part Number	Part Discontinued per PCN	Customer Drawing	Alias Part Number(s)	Substitute Part Number	Substitute Alias Part Number(s)	Description Of Difference
1-638623-9	NO					
1-968849-1	NO					
1318612-1	NO					
1326018-1	NO					
1326018-2	NO					
1326029-1	NO					
1326029-2	NO					
1326029-3	NO					
1326029-4	NO					
1326029-5	NO					
1326029-6	NO					
1326029-7	NO					
1326029-8	NO					
1326031-1	NO					
1326031-2	NO					
1326031-3	NO					
1326031-4	NO					
1326031-5	NO					
1326031-6	NO					
1326031-7	NO					
1326031-8	NO					
1326031-9	NO					
1326032-1	NO					
1326032-2	NO					
1326032-3	NO					
1326032-4	NO					
1326032-5	NO					
1326032-6	NO					
1326032-7	NO					
1326032-8	NO					
1326032-9	NO					
1393364-1	NO		"V23540X7000Y 10", "V23540X7000Y10"			
1393364-2	NO					
1393365-1	NO		"V23540X7000Y 20", "V23540X7000Y20"			
1393365-2	NO					
1393366-1	NO		"V23540X7000Y 21", "V23540X7000Y21"			
1393366-2	NO					
1393367-1	NO		"V23540X7000Y 11", "V23540X7000Y11"			
1393367-2	NO					
1418844-3	NO					
1418850-1	NO					
1418850-3	NO					
1437882-8	NO		"109640A", "X109640A"			
1438058-1	NO					
1438087-2	NO					
1438231-1	NO		"103661B"			
1438231-2	NO		"103662B"			
1438231-5	NO		"103665B"			
1438236-1	NO		"101715"			
1438236-2	NO		"101716"			
1438236-3	NO		"101713"			
1438236-5	NO		"109976"			
1438237-1	NO		"E83AA-H137LB"			
1438241-1	NO		"N38EA-F113AA"			
1438241-2	NO		"101904"			
1438243-1	NO		"E7EB-14474-EA", "E7EB-A4474-EA", "N36DA-F119AA"			
1438248-1	NO					
1438248-3	NO		"A47AA-K111EA"			
1438253-1	NO		"A38GA-F115AA"			
1438262-1	NO		"B73AA-F5LHK0"			
1438291-6	NO					
1438299-1	NO					
1438299-2	NO					
1438299-3	NO					

Part Number	Part Discontinued per PCN	Customer Drawing	Alias Part Number(s)	Substitute Part Number	Substitute Alias Part Number(s)	Description Of Difference
1438299-4	NO					
1438299-7	NO					
1438299-8	NO					
1438304-1	NO					
1438318-1	NO					
1438322-3	NO					
1438322-4	NO					
1438322-5	NO					
1438478-2	NO					
1438527-1	NO					
1438528-1	NO					
1438615-3	NO					
1438615-5	NO					
1438633-1	NO					
1438633-2	NO					
1438633-3	NO					
1438633-4	NO					
1438633-5	NO					
1438698-1	NO					
1438720-2	NO					
1438780-1	NO					
1438801-2	NO					
1438858-1	NO					
1438926-3	NO					
1438981-1	NO					
1448317-1	NO		"600337900A"			
1452503-3	NO					
1456324-1	NO					
1456324-3	NO					
1456468-1	NO					
1456468-2	NO					
1456549-1	NO					
1456549-3	NO					
1456555-1	NO					
1456555-2	NO					
1456574-1	NO					
1456574-2	NO					
1456574-3	NO					
1456574-5	NO					
1456574-6	NO					
1456574-7	NO					
1456819-3	NO					
1456841-1	NO					
1456841-2	NO					
1456841-3	NO					
1456841-4	NO					
1456841-5	NO					
1456841-6	NO					
1456841-7	NO					
1456888-1	NO					
1488208-1	NO					
1488208-2	NO					
1488208-3	NO					
1488208-8	NO					
1488220-1	NO					
1488220-2	NO					
1488220-3	NO					
1488744-4	NO					
1488744-5	NO					
1488744-6	NO					
1557080-2	NO					
1557082-1	NO					
1557122-1	NO					
1557125-2	NO					
1557128-2	NO					

Part Number	Part Discontinued per PCN	Customer Drawing	Alias Part Number(s)	Substitute Part Number	Substitute Alias Part Number(s)	Description Of Difference
1557129-2	NO					
1557158-2	NO					
1557273-4	NO					
1557273-5	NO					
1557310-2	NO					
1557328-2	NO					
1557328-3	NO					
1557328-4	NO					
1557329-2	NO					
1557329-3	NO					
1557329-4	NO					
1557330-2	NO					
1557330-3	NO					
1557362-1	NO					
1557367-3	NO					
1557367-5	NO					
1557434-2	NO					
1557454-1	NO					
1557455-1	NO					
1557456-1	NO					
1557462-2	NO					
1557508-1	NO					
1557548-1	NO					
1557549-1	NO					
1557552-2	NO					
1557553-2	NO					
1557568-7	NO					
1557574-3	NO					
1557574-4	NO					
1557575-2	NO					
1557576-1	NO					
1557584-2	NO					
1557585-2	NO					
1557606-2	NO					
1557606-3	NO					
1557618-3	NO					
1557618-4	NO					
1557620-4	NO					
1557620-5	NO					
1557621-3	NO					
1557621-4	NO					
1557635-1	NO					
1557650-1	NO					
1557662-1	NO					
1557696-1	NO					
1557696-2	NO					
1557705-2	NO					
1557706-3	NO					
1557720-2	NO					
1557720-3	NO					
1557721-2	NO					
1557741-1	NO					
1557745-1	NO					
1557745-2	NO					
1557746-1	NO					
1557746-2	NO					
1557765-2	NO					
1557765-4	NO					
1557765-5	NO					
1557773-1	NO					
1557773-2	NO					
1557774-1	NO					
1557774-3	NO					
1557774-4	NO					
1557779-2	NO					

Part Number	Part Discontinued per PCN	Customer Drawing	Alias Part Number(s)	Substitute Part Number	Substitute Alias Part Number(s)	Description Of Difference
1557779-3	NO					
1557779-5	NO					
1557785-3	NO					
1557785-4	NO					
1557800-1	NO					
1557800-2	NO					
1557800-3	NO					
1557800-4	NO					
1557800-5	NO					
1557815-1	NO					
1557822-1	NO					
1557824-2	NO					
1557825-2	NO					
1557826-2	NO					
1557829-1	NO					
1557840-1	NO					
1557841-1	NO					
1557841-2	NO					
1557842-1	NO					
1557856-3	NO					
1557873-1	NO					
1557874-1	NO					
1557881-1	NO					
1557881-2	NO					
1557881-3	NO					
1557884-2	NO					
1557884-4	NO					
1557884-5	NO					
1557885-2	NO					
1557885-4	NO					
1557885-5	NO					
1557888-3	NO					
1557889-2	NO					
1557889-3	NO					
1557890-2	NO					
1557890-3	NO					
1557892-1	NO					
1557892-2	NO					
1557893-1	NO					
1557893-3	NO					
1557899-1	NO					
1557915-1	NO					
1557918-1	NO					
1557918-2	NO					
1557918-3	NO					
1557921-1	NO					
1557922-1	NO					
1557949-1	NO					
1557954-4	NO					
1557961-3	NO					
1557961-4	NO					
1587255-1	NO					
1587270-5	NO					
1587299-1	NO					
1587723-1	NO					
1587723-2	NO					
1587723-3	NO					
1587836-2	NO					
1587902-1	NO					
1587902-2	NO					
1587902-8	NO					
1587902-9	NO					
1642348-1	NO					
1642678-2	NO					
1642718-3	NO					

Part Number	Part Discontinued per PCN	Customer Drawing	Alias Part Number(s)	Substitute Part Number	Substitute Alias Part Number(s)	Description Of Difference
1642782-4	NO					
1642899-6	NO					
1642980-1	NO					
1670144-1	NO					
1670144-3	NO					
1670146-1	NO					
1670146-3	NO					
1719957-1	NO					
1732377-1	NO					
1732377-2	NO					
1732443-4	NO					
1732466-7	NO					
1732467-9	NO					
1732513-3	NO					
1732560-4	NO					
1732611-2	NO					
1732611-3	NO					
1732623-2	NO					
1732630-1	NO					
1732630-2	NO					
1732649-5	NO					
1732725-1	NO					
1732753-2	NO					
1732766-1	NO					
1732766-2	NO					
1732911-1	NO					
1732911-2	NO					
1732959-1	NO					
1732960-1	NO					
1732992-3	NO					
173631-1	NO					
173681-1	NO					
173682-1	NO		"0-0173682-1"			
173858-1	NO					
173860-1	NO					
173862-1	NO					
173864-1	NO					
174051-2	NO					
174051-4	NO					
174055-2	NO					
174912-2	NO					
174971-2	NO					
174975-2	NO					
174979-2	NO					
175180-1	NO					
175265-1	NO					
175269-1	NO		"0-0175269-1"			
175269-2	NO					
175448-6	NO					
175506-2	NO					
175521-6	NO					
175571-2	NO					
175571-6	NO					
175615-2	NO					
175973-2	NO					
175974-2	NO					
175975-2	NO					
179686-6	NO					
1832173-3	NO					
1832180-3	NO					
1832181-4	NO					
1832379-1	NO					
1832379-2	NO					
1832379-3	NO					
1832379-4	NO					

Part Number	Part Discontinued per PCN	Customer Drawing	Alias Part Number(s)	Substitute Part Number	Substitute Alias Part Number(s)	Description Of Difference
1832379-5	NO					
1832382-3	NO					
1832489-1	NO					
1832712-3	NO					
1832915-5	NO					
1832926-6	NO					
184095-1	NO		"8202606755"			
184095-2	NO		"EM3605-000", "AMP-0-0184095-2"			
184373-1	NO					
184373-2	NO					
1924229-1	NO					
1924229-2	NO					
1924229-3	NO					
1924230-1	NO					
1924237-2	NO					
1924241-1	NO					
1924275-1	NO					
1924275-2	NO					
1924275-3	NO					
1924275-4	NO					
1924275-5	NO					
1924275-6	NO					
1924275-7	NO					
1924275-8	NO					
1924464-1	NO		"EG9742-000", "AMP-0-1924464-1"			
1924464-2	NO					
1924579-1	NO					
1924579-3	NO					
1924580-1	NO					
1924580-2	NO					
1924674-9	NO					
1924675-1	NO					
1924675-4	NO					
1924678-1	NO					
1924678-3	NO					
1924683-1	NO					
1924684-1	NO					
1924685-1	NO					
1924689-1	NO					
1924727-1	NO					
1924727-2	NO					
1924727-3	NO					
1924727-4	NO					
1924782-1	NO					
1924782-2	NO					
1924782-3	NO					
1924879-1	NO					
1924879-2	NO					
1924880-1	NO					
1924887-1	NO					
1924955-1	NO					
1924955-2	NO					
1924955-3	NO					
1924955-4	NO					
1924955-5	NO					
1924955-6	NO					
1924955-7	NO					
1924955-8	NO					
1924968-1	NO					
1924968-2	NO					
1924968-3	NO					
1924968-4	NO					
1924968-5	NO					
1924968-6	NO					
1924968-7	NO					

Part Number	Part Discontinued per PCN	Customer Drawing	Alias Part Number(s)	Substitute Part Number	Substitute Alias Part Number(s)	Description Of Difference
1924968-8	NO					
2-1393366-2	NO					
2-1393367-2	NO					
2-1419158-3	NO					
2-1419158-5	NO					
2-1437856-0	NO		"107462A"			
2-1438640-1	NO					
2-1438640-2	NO					
2-1438640-3	NO					
2-1438640-4	NO					
2-184464-2	NO					
2-1924675-1	NO					
2-1924675-2	NO					
2-2203830-2	NO					
2-638611-6	NO					
2-638623-1	NO					
2-963964-4	NO					
2035124-1	NO					
2035170-1	NO					
2035170-2	NO					
2035170-3	NO					
2035170-4	NO					
2035170-5	NO					
2035170-8	NO					
2035334-1	NO					
2035334-2	NO					
2035334-3	NO					
2035334-4	NO					
2035334-5	NO					
2035334-6	NO					
2035334-7	NO					
2035334-8	NO					
2035448-1	NO					
2035448-2	NO					
2035448-3	NO					
2035448-5	NO					
2035448-6	NO					
2035448-7	NO					
2098165-1	NO					
2098250-1	NO					
2098250-3	NO					
2098253-1	NO					
2098253-2	NO					
2098583-2	NO					
2098583-4	NO					
2098753-1	NO					
2098753-2	NO					
2098753-3	NO					
2098753-4	NO					
2098753-6	NO					
2098753-7	NO					
2098753-8	NO					
2098835-1	NO					
2103119-2	NO					
2103183-1	NO					
2103353-1	NO					
2103742-2	NO					
2103742-3	NO					
2103743-2	NO					
2103743-3	NO					
212862-1	NO					
212862-2	NO					
213087-1	NO					
2137021-1	NO					
2137021-2	NO					

Part Number	Part Discontinued per PCN	Customer Drawing	Alias Part Number(s)	Substitute Part Number	Substitute Alias Part Number(s)	Description Of Difference
2137021-3	NO					
2137021-4	NO					
2137021-5	NO					
2137021-6	NO					
2137021-7	NO					
2137021-8	NO					
2137022-1	NO					
2137022-2	NO					
2137023-1	NO					
2137023-2	NO					
2138089-1	NO					
2138161-1	NO					
2138161-2	NO					
2138161-3	NO					
2138177-1	NO					
2138260-1	NO					
2138519-2	NO					
2138519-4	NO					
2138525-1	NO					
2138604-1	NO					
2138699-1	NO					
2138699-2	NO					
2138699-3	NO					
2138699-4	NO					
2141970-1	NO					
2141970-3	NO					
2174100-2	NO					
2203232-2	NO					
2203232-6	NO					
2203242-1	NO					
2203242-2	NO					
2203259-2	NO					
2203259-3	NO					
2203260-4	NO					
2203260-8	NO					
2203270-4	NO					
2203270-6	NO					
2203270-8	NO					
2229486-2	NO					
2237207-1	NO					
2237207-2	NO					
2247078-1	NO					
2247092-1	NO					
2247219-1	NO					
2247220-1	NO					
2247397-1	NO					
2247694-1	NO					
2272033-1	NO					
2272406-1	NO					
2272406-2	NO					
2272434-1	NO					
2288241-1	NO					
2288242-1	NO					
2288244-1	NO					
2288244-2	NO					
2292790-1	NO					
2294285-1	NO					
2294285-2	NO					
2294374-1	NO					
2294374-2	NO					
2296721-1	NO					
2297066-1	NO					
2302174-1	NO					
2302174-3	NO					
2303546-1	NO					

Part Number	Part Discontinued per PCN	Customer Drawing	Alias Part Number(s)	Substitute Part Number	Substitute Alias Part Number(s)	Description Of Difference
2304852-2	NO					
2304852-3	NO					
2304852-4	NO					
2304852-5	NO					
2305342-5	NO					
2306271-1	NO					
2306762-1	NO					
2307223-1	NO					
2307235-1	NO					
2307265-2	NO					
2307265-3	NO					
2307265-4	NO					
2307412-1	NO					
2307438-1	NO					
2307452-1	NO					
2307452-2	NO					
2307452-3	NO					
2307452-4	NO					
2307467-1	NO					
2307467-2	NO					
2307467-3	NO					
2307656-1	NO					
2307656-2	NO					
2309248-1	NO					
2309269-1	NO					
2309271-1	NO					
2309275-1	NO					
2309487-1	NO					
2309489-1	NO					
2309489-2	NO					
2309490-1	NO					
2309490-2	NO					
2309491-1	NO					
2309491-2	NO					
2309720-2	NO					
2309720-3	NO					
2310207-1	NO					
2310239-1	NO					
2310242-1	NO					
2310242-2	NO					
2310293-1	NO					
2311562-1	NO					
2311562-2	NO					
2311565-1	NO					
2311566-1	NO					
2312100-1	NO					
2312100-2	NO					
2312100-3	NO					
2312100-4	NO					
2312100-6	NO					
2312102-1	NO					
2312102-3	NO					
2312102-4	NO					
2312105-1	NO					
2312164-1	NO					
2312453-5	NO					
2312454-4	NO					
2312458-5	NO					
2312459-5	NO					
2312460-6	NO					
2312464-3	NO					
2312465-5	NO					
2312466-2	NO					
2312469-3	NO					
2312475-4	NO					

Part Number	Part Discontinued per PCN	Customer Drawing	Alias Part Number(s)	Substitute Part Number	Substitute Alias Part Number(s)	Description Of Difference
2312476-3	NO					
2312477-2	NO					
2312480-6	NO					
2312481-6	NO					
2312482-2	NO					
2312648-1	NO					
2314208-1	NO					
2314244-1	NO					
2314244-2	NO					
2314245-1	NO					
2314245-2	NO					
2314248-1	NO					
2314566-4	NO					
2314566-5	NO					
2315264-1	NO					
2315264-2	NO					
2315265-1	NO					
2315265-2	NO					
2316001-2	NO					
2316512-1	NO					
2316555-1	NO					
2316765-3	NO					
2316999-1	NO					
2316999-2	NO					
2317356-1	NO					
2317356-2	NO					
2317367-1	NO					
2317367-2	NO					
2317944-2	NO					
2317944-3	NO					
2317944-4	NO					
2318040-1	NO					
2318225-1	NO					
2318725-1	NO					
2318732-3	NO					
2319104-3	NO					
2319104-4	NO					
2320454-2	NO					
2321027-1	NO					
2321028-1	NO					
2321256-1	NO					
2321259-1	NO					
2321262-1	NO					
2321265-2	NO					
2321265-4	NO					
2321266-1	NO					
2321266-2	NO					
2321273-1	NO					
2321392-1	NO					
2321392-2	NO					
2321392-3	NO					
2321393-1	NO					
2321393-2	NO					
2321393-3	NO					
2321396-2	NO					
2321497-1	NO					
2321498-2	NO					
2321501-2	NO					
2321511-3	NO					
2321513-2	NO					
2321697-2	NO					
2321699-2	NO					
2321702-2	NO					
2321703-1	NO					
2321703-2	NO					

Part Number	Part Discontinued per PCN	Customer Drawing	Alias Part Number(s)	Substitute Part Number	Substitute Alias Part Number(s)	Description Of Difference
2321704-3	NO					
2321769-2	NO					
2321769-4	NO					
2321819-3	NO					
2321825-3	NO					
2321844-2	NO					
2321845-3	NO					
2321856-4	NO					
2321857-4	NO					
2321860-2	NO					
2321860-3	NO					
2321862-3	NO					
2321868-2	NO					
2321868-3	NO					
2321869-2	NO					
2321871-1	NO					
2321871-2	NO					
2321875-2	NO					
2322615-1	NO					
2322615-2	NO					
2322616-1	NO					
2322616-2	NO					
2322617-2	NO					
2323660-1	NO					
2323661-1	NO					
2323997-2	NO					
2323997-3	NO					
2324557-2	NO					
2324558-1	NO					
2324559-1	NO					
2324560-1	NO					
2324561-2	NO					
2324627-1	NO					
2324627-2	NO					
2324768-1	NO					
2325176-1	NO					
2325177-1	NO					
2325383-1	NO					
2325425-1	NO					
2325428-1	NO					
2325429-2	NO					
2325430-1	NO					
2325434-1	NO					
2325435-1	NO					
2325436-1	NO					
2325441-2	NO					
2325442-2	NO					
2325446-2	NO					
2325447-1	NO					
2325452-2	NO					
2325453-2	NO					
2325456-1	NO					
2325457-2	NO					
2325613-1	NO					
2325613-2	NO					
2325614-1	NO					
2325614-2	NO					
2325925-1	NO					
2327443-1	NO					
2327904-1	NO					
2327904-2	NO					
2329141-4	NO					
2329155-2	NO					
2329155-3	NO					
2329193-1	NO					

Part Number	Part Discontinued per PCN	Customer Drawing	Alias Part Number(s)	Substitute Part Number	Substitute Alias Part Number(s)	Description Of Difference
2331584-1	NO					
2331584-2	NO					
2331585-1	NO					
2331585-2	NO					
2331586-1	NO					
2331586-2	NO					
2331587-1	NO					
2331587-2	NO					
2332133-1	NO					
2332200-6	NO					
2332200-7	NO					
2333671-1	NO					
2333674-1	NO					
2333675-1	NO					
2334706-1	NO					
2335239-1	NO					
2335903-1	NO					
2337244-1	NO					
2338965-1	NO					
2340018-2	NO					
2340329-1	NO					
2344914-1	NO					
2344915-1	NO					
2344918-1	NO					
2344919-1	NO					
2345511-1	NO					
2345583-2	NO					
2345585-3	NO					
2348242-1	NO					
2348633-1	NO					
2349552-1	NO					
2349574-1	NO					
2350122-1	NO					
2350125-1	NO					
2350129-1	NO					
2350525-1	NO					
2350528-1	NO					
2351439-1	NO					
2351440-1	NO					
2351564-1	NO					
2351708-1	NO					
2351709-1	NO					
2840368-2	NO					
2840838-1	NO					
2840960-1	NO					
2840960-2	NO					
3-1438230-2	NO		"104769A", "E8EB-14474-BF", "E8EB-14474-BFA"			
3-1438230-3	NO		"104770A"			
3-1438230-4	NO		"104767A"			
3-1438230-5	NO		"105926A"			
3-1438231-2	NO		"104657B"			
3-1438231-3	NO					
3-1438245-2	NO		"101902"			
316838-1	NO					
360387-1	NO					
4-1438090-7	NO					
4-1438640-1	NO					
4-1438640-4	NO					
4-1438640-5	NO					
5-1299373-9	NO					
5-1299502-1	NO					
5-1557773-1	NO					
5-1557773-2	NO					
5-1557773-3	NO					

Part Number	Part Discontinued per PCN	Customer Drawing	Alias Part Number(s)	Substitute Part Number	Substitute Alias Part Number(s)	Description Of Difference
5-1557773-5	NO					
5-1557909-1	NO					
5-1557915-1	NO					
5-2237133-1	NO					
5-2237133-2	NO					
5-2237155-1	NO					
5-2237155-2	NO					
5-2304580-1	NO					
5-2311251-1	NO					
5-2311251-5	NO					
5-2311289-1	NO					
5-2311289-2	NO					
5-2311289-3	NO					
5-2312161-1	NO					
5-2312162-1	NO					
5-2317402-1	NO					
5-2317402-2	NO					
5-2317402-4	NO					
5-2317403-1	NO					
5-2317403-2	NO					
5-2324627-1	NO					
5-2324627-2	NO					
5-2324652-1	NO					
5-2324653-1	NO					
5-2325383-1	NO					
5-2325383-2	NO					
5-2325523-2	NO					
5-2325523-3	NO					
5-2339501-2	NO					
5-2339502-1	NO					
5-2344067-2	NO					
6-1438090-7	NO					
638009-1	NO					
638009-5	NO					
638014-1	NO					
638087-1	NO					
638098-1	NO					
638098-7	NO					
638099-1	NO					
638099-7	NO					
638102-1	NO					
638125-3	NO					
638128-2	NO					
638131-2	NO					
638134-3	NO					
638134-4	NO					
638134-5	NO					
638141-1	NO					
638143-1	NO					
638145-1	NO					
638170-6	NO					
638174-1	NO					
638174-2	NO					
638174-3	NO					
638174-4	NO					
638184-6	NO					
638203-1	NO					
638232-1	NO					
638551-1	NO					
638551-2	NO					
638551-3	NO					
638551-4	NO					
638619-1	NO					
638652-1	NO					
638652-2	NO					

Part Number	Part Discontinued per PCN	Customer Drawing	Alias Part Number(s)	Substitute Part Number	Substitute Alias Part Number(s)	Description Of Difference
638652-4	NO					
638662-8	NO					
638946-2	NO					
638977-6	NO					
638979-1	NO					
7-1452665-1	NO					
7-1452665-3	NO					
7-1452671-1	NO					
7-1452671-3	NO					
7-173862-1	NO					
7-173862-6	NO					
770520-1	NO					
770520-3	NO					
770854-1	NO					
770854-3	NO					
773119-4	NO					
776035-5	NO					
776046-4	NO					
776235-1	NO					
776235-4	NO					
776297-1	NO					
776297-2	NO					
776300-1	NO					
776300-2	NO					
776349-1	NO		"820P-37835"			
776349-3	NO		"820P-37462"			
776491-1	NO					
776491-2	NO					
776492-1	NO					
776492-2	NO					
776493-1	NO		"820P-37700"			
776493-2	NO					
776546-1	NO					
776546-5	NO					
776834-3	NO					
776834-4	NO					
776834-5	NO					
776958-1	NO					
9-1438090-6	NO					
9-1438309-1	NO					
9-1438424-2	NO					
9-1438743-6	NO					
9-1438789-2	NO					
9-1438845-1	NO					
9-1456610-2	NO					
9-175976-2	NO					
9-176122-6	NO					
9-1924162-6	NO					
9-1924255-6	NO					
9-2035103-6	NO					
9-2035312-2	NO					
9-638254-2	NO					
9-638258-6	NO					
9-638264-2	NO					
9-638677-1	NO					
9-638699-6	NO					
9-638973-2	NO					
9-776629-6	NO					
9-776633-8	NO					
928999-1	NO		"0-0928999-1", "0-928999-1"			



Product Change Notification

Current Date: 26-Feb-2020

TE Connectivity

Product Change Notification: P-20-018731

PCN Date: 25-FEB-20

TE would like to inform you of the following change(s) to the listed TE Connectivity Product. In case of any further questions about this change(s), please contact your TE Connectivity Sales Engineer. Affected part, drawing and/or specification numbers are listed on the attached sheet(s).

General Product Description:

Multiple Part numbers. Phase 4. Americas Footprint Optimization

Description of Changes

We hereby inform you about a transfer of stamping dies from Burgess Rd. to further improve our Supply Chain towards our customers. The transfer follows a strict procedure, which fully maintains quality, ability to supply and form-fit-function of the concerned products. The receiving manufacturing location operates under a certified quality management system in accordance with standard automotive requirements. These moves will be validated not to affect product fit, form and function, tool geometry, quality performance or the quality management system TE will uphold our responsibility to internally validate and approve these tools among appropriate first article dimensional and capability analysis, comparative 2-sample T-tests before and after moves, before and after CT scans where needed, and PV testing as defined by TE product engineering. TE is willing to provide any such validation data to our customers as our joint non-disclosure agreement statuses allow.

Reason for Changes:

Product improvement. These changes are part of an overall effort from TE to improve our supply chain toward our customers, to focus each plant on core products and processes, and to provide an overall better experience from TE to our customer base. An internal release test based on the relevant part will be executed before delivery and this notification serves to fulfill our notification requirements as prescribed by AIAG 4th edition. This change notification document accompanies a letter sent to your organization on September 13, 2019 signed by our Vice President of Sales and Marketing. Follow up conversations can occur upon request with your sales contact within 15 calendar days after receipt of this PCN. If you have any questions or needs from this move, please contact your sales engineer within 15 days of receipt of this letter. If no response is received on this period, TE will consider this as an approval and tools must move to the new locations.

Estimated Dates:

Last Order Date (Obsolete Parts Only):	First Date To Ship (Changed Parts Only):
	30-SEP-2020
Last Ship Date (Obsolete Parts Only):	Last Date for Mixed Shipments: (Changed Parts Only):
	No Mixed Shipments

Part Number(s) being Modified:

Part Number	Part Discontinued per PCN	Customer Drawing	Alias Part Number(s)	Substitute Part Number	Substitute Alias Part Number(s)	Description Of Difference
1-1326029-1	NO					
1-1326029-2	NO					
1-1326030-0	NO					
1-1326030-1	NO					
1-1326030-2	NO					
1-1437855-6	NO		"104537A", "4661466"			
1-1438238-0	NO		"108918"			
1-1438238-1	NO		"K36AA-F12LBA"			
1-1438640-3	NO					
1-1438640-8	NO					
1-1456336-3	NO					
1-1456336-4	NO					
1-1456336-6	NO					
1-1456968-1	NO					
1-1456968-2	NO					
1-1456968-3	NO					
1-1456968-4	NO					
1-1456968-6	NO					
1-1456968-8	NO					
1-1563842-1	NO					
1-1563842-3	NO					
1-1924415-1	NO					
1-1924415-2	NO					
1-1924468-1	NO					
1-1924468-3	NO					
1-1924955-1	NO					

Part Number	Part Discontinued per PCN	Customer Drawing	Alias Part Number(s)	Substitute Part Number	Substitute Alias Part Number(s)	Description Of Difference
1-1924955-2	NO					
1-1924955-3	NO					
1-1924955-4	NO					
1-1924955-6	NO					
1-1924955-7	NO					
1-1924955-8	NO					
1-2103171-2	NO					
1-2138699-1	NO					
1-2138699-2	NO					
1-2138699-4	NO					
1-2203270-0	NO					
1-2288241-1	NO					
1-2288242-1	NO					
1-2840750-1	NO					
1-773119-8	NO					
1-776546-1	NO					
1-929278-2	NO					
1326017-1	NO					
1326017-9	NO					
1326028-1	NO					
1326028-2	NO					
1326028-3	NO					
1326028-4	NO					
1326028-5	NO					
1326028-6	NO					
1326030-1	NO					
1326030-2	NO					
1326030-3	NO					
1326030-4	NO					
1326030-5	NO					
1326030-6	NO					
1326030-7	NO					
1326030-8	NO					
1326030-9	NO					
1437284-9	NO		"13002630101"			
1438088-2	NO					
1438234-3	NO		"G38BA-F111BA"			
1438234-6	NO		"102186"			
1438235-2	NO		"103437", "109569"			
1438238-2	NO		"K36AA-K12HBA"			
1438238-6	NO		"K36AA-P12LBA"			
1438238-8	NO		"101793"			
1438238-9	NO		"101794"			
1438240-1	NO		"105825A"			
1438244-2	NO		"N36CA-F174AA"			
1438250-4	NO		"N36AA-P125BA"			
1438250-5	NO		"105084"			
1438255-1	NO		"B65BA-M630A0"			
1438255-2	NO		"B65BA-K630A0"			
1438256-1	NO		"B65AA-W637A0"			
1438256-2	NO		"B65AA-N637A0"			
1438275-1	NO					
1438316-1	NO					
1438387-1	NO					
1438442-4	NO					
1438483-1	NO					
1438486-1	NO					
1438543-1	NO					
1438543-2	NO					
1438543-4	NO					
1438680-1	NO					
1448779-2	NO					
1454333-8	NO		"107411"			
1456004-1	NO					
1456004-2	NO					

Part Number	Part Discontinued per PCN	Customer Drawing	Alias Part Number(s)	Substitute Part Number	Substitute Alias Part Number(s)	Description Of Difference
1456598-1	NO					
1456630-1	NO					
1456630-2	NO					
1456777-3	NO					
1456897-2	NO					
1456897-5	NO					
1456968-1	NO					
1456968-2	NO					
1456968-3	NO					
1456968-4	NO					
1456968-6	NO					
1456968-8	NO					
1488642-6	NO					
1488642-7	NO					
1488642-8	NO					
1488642-9	NO					
1488657-1	NO					
1488657-2	NO					
1534594-1	NO					
1534594-3	NO					
1534768-1	NO					
1534768-4	NO					
1557079-2	NO					
1557079-3	NO					
1557084-1	NO					
1557085-1	NO					
1557086-1	NO					
1557104-1	NO					
1557105-1	NO					
1557126-2	NO					
1557127-2	NO					
1557270-3	NO					
1557271-4	NO					
1557271-7	NO					
1557311-5	NO					
1557312-1	NO					
1557435-2	NO					
1557463-3	NO					
1557485-3	NO					
1557485-4	NO					
1557510-1	NO					
1557546-1	NO					
1557551-2	NO					
1557555-2	NO					
1557556-2	NO					
1557566-1	NO					
1557566-2	NO					
1557567-1	NO					
1557567-3	NO					
1557577-5	NO					
1557578-3	NO					
1557603-3	NO					
1557616-2	NO					
1557617-2	NO					
1557617-3	NO					
1557634-1	NO					
1557639-4	NO					
1557648-1	NO					
1557649-1	NO					
1557651-1	NO					
1557663-1	NO					
1557674-3	NO					
1557674-4	NO					
1557678-1	NO					
1557693-3	NO					

Part Number	Part Discontinued per PCN	Customer Drawing	Alias Part Number(s)	Substitute Part Number	Substitute Alias Part Number(s)	Description Of Difference
1557702-1	NO					
1557708-2	NO					
1557722-2	NO					
1557764-2	NO					
1557764-3	NO					
1557764-4	NO					
1557764-5	NO					
1557787-1	NO					
1557801-1	NO					
1557801-2	NO					
1557801-3	NO					
1557801-4	NO					
1557812-3	NO					
1557827-2	NO					
1557837-1	NO					
1557837-2	NO					
1557837-3	NO					
1557839-1	NO					
1557853-4	NO					
1557853-5	NO					
1557853-6	NO					
1557882-1	NO					
1557882-2	NO					
1557882-3	NO					
1557883-1	NO					
1557883-2	NO					
1557883-3	NO					
1557886-2	NO					
1557886-4	NO					
1557886-5	NO					
1557887-2	NO					
1557887-4	NO					
1557887-5	NO					
1557891-2	NO					
1557891-3	NO					
1557952-3	NO					
1557989-2	NO					
1587392-7	NO					
1587392-8	NO					
1587718-1	NO					
1587724-1	NO					
1587724-2	NO					
1587724-3	NO					
1587828-1	NO					
1587828-2	NO					
1587828-3	NO					
1587829-1	NO					
1587829-2	NO					
1587829-3	NO					
1642404-3	NO					
1642524-3	NO					
1642642-2	NO					
1719958-1	NO					
1732230-2	NO					
1732230-3	NO					
1732434-3	NO					
1732452-4	NO					
1732621-2	NO					
1732624-2	NO					
1732631-1	NO					
1732724-1	NO					
1732752-1	NO					
1732789-2	NO					
1732821-1	NO					
1732821-3	NO					

Part Number	Part Discontinued per PCN	Customer Drawing	Alias Part Number(s)	Substitute Part Number	Substitute Alias Part Number(s)	Description Of Difference
1732882-2	NO					
1732893-3	NO					
1732893-4	NO					
1732967-1	NO					
1732967-2	NO					
1732993-1	NO					
1732998-2	NO					
173630-1	NO		"0-0173630-1"			
173645-1	NO					
173683-2	NO					
173856-1	NO					
174053-2	NO					
1747732-1	NO					
174917-6	NO					
174973-2	NO					
175268-1	NO					
175444-1	NO		"0-0175444-1"			
175444-6	NO					
175444-9	NO					
175976-2	NO					
176122-6	NO					
1801828-1	NO					
1801829-1	NO					
1832036-2	NO					
1832322-1	NO					
1832353-2	NO					
1832487-2	NO					
1832488-2	NO					
1832766-4	NO					
1832805-1	NO					
1832875-1	NO					
1832891-2	NO					
184030-1	NO					
184030-3	NO		"TL003"			
184289-1	NO					
184289-3	NO					
1924227-2	NO					
1924456-1	NO					
1924463-1	NO		8202612467, BACA-AMP-218			
1924463-3	NO					
1924686-1	NO					
1924878-1	NO					
1924878-2	NO					
1924903-1	NO					
1927688-3	NO					
2-174053-2	NO					
2-2138019-4	NO					
2-773119-1	NO					
2035040-1	NO					
2035040-2	NO					
2035040-3	NO					
2035335-1	NO					
2098032-3	NO					
2098251-1	NO					
2098251-2	NO					
2098252-1	NO					
2098252-3	NO					
2098338-5	NO					
2098338-6	NO					
2098339-5	NO					
2098339-6	NO					
2098762-1	NO					
2098762-2	NO					
2098762-3	NO					

Part Number	Part Discontinued per PCN	Customer Drawing	Alias Part Number(s)	Substitute Part Number	Substitute Alias Part Number(s)	Description Of Difference
2098762-4	NO					
2098762-5	NO					
2098762-6	NO					
2098762-8	NO					
2098978-1	NO					
2103026-1	NO					
2103027-1	NO					
2103157-1	NO					
2103388-1	NO					
2103741-2	NO					
2103741-3	NO					
212868-1	NO					
212868-2	NO					
2138020-1	NO					
2138020-2	NO					
2138020-3	NO					
2138020-4	NO					
2138020-5	NO					
2138020-6	NO					
2138020-8	NO					
2138020-9	NO					
2138146-1	NO					
2138597-1	NO					
2138597-2	NO					
2138597-3	NO					
2141824-1	NO					
2237010-1	NO					
2247003-2	NO					
2247003-3	NO					
2247007-1	NO					
2247030-1	NO					
2247037-2	NO					
2247048-1	NO					
2247064-1	NO					
2247076-2	NO					
2247102-1	NO					
2247202-2	NO					
2247202-3	NO					
2247398-1	NO					
2272170-1	NO					
2272170-2	NO					
2272170-4	NO					
2272170-5	NO					
2272170-6	NO					
2272196-1	NO					
2272196-2	NO					
2272230-1	NO					
2272230-2	NO					
2272230-3	NO					
2272248-1	NO					
2272404-1	NO					
2272404-2	NO					
2272408-4	NO					
2272409-1	NO					
2288045-1	NO					
2288243-2	NO					
2294612-1	NO					
2299041-1	NO					
2299156-1	NO					
2299156-2	NO					
2299156-3	NO					
2304851-2	NO					
2304851-3	NO					
2304851-4	NO					
2304851-5	NO					

Part Number	Part Discontinued per PCN	Customer Drawing	Alias Part Number(s)	Substitute Part Number	Substitute Alias Part Number(s)	Description Of Difference
2305344-3	NO					
2306033-3	NO					
2306039-1	NO					
2306883-1	NO					
2306884-1	NO					
2307561-3	NO					
2307561-4	NO					
2307655-1	NO					
2307655-2	NO					
2308552-1	NO					
2309266-1	NO					
2309270-1	NO					
2309341-1	NO					
2309386-1	NO					
2309723-2	NO					
2309723-3	NO					
2309999-1	NO					
2310292-1	NO					
2311563-1	NO					
2311563-2	NO					
2311564-1	NO					
2312163-1	NO					
2312462-3	NO					
2312473-5	NO					
2312474-5	NO					
2312478-6	NO					
2312479-6	NO					
2312483-3	NO					
2314243-1	NO					
2314246-1	NO					
2314247-1	NO					
2315359-1	NO					
2315494-1	NO					
2316023-1	NO					
2316310-1	NO					
2316310-2	NO					
2316982-1	NO					
2317402-1	NO					
2317403-1	NO					
2317943-2	NO					
2317943-4	NO					
2317943-5	NO					
2318039-1	NO					
2318041-1	NO					
2318042-1	NO					
2318053-1	NO					
2318726-1	NO					
2318727-1	NO					
2318730-2	NO					
2319098-2	NO					
2319107-1	NO					
2320447-1	NO					
2320476-2	NO					
2321215-2	NO					
2321268-2	NO					
2321395-1	NO					
2321499-2	NO					
2321508-2	NO					
2321510-2	NO					
2321574-2	NO					
2321698-2	NO					
2321700-2	NO					
2321701-2	NO					
2321705-3	NO					
2321766-1	NO					

Part Number	Part Discontinued per PCN	Customer Drawing	Alias Part Number(s)	Substitute Part Number	Substitute Alias Part Number(s)	Description Of Difference
2321823-3	NO					
2321824-3	NO					
2321830-2	NO					
2321842-2	NO					
2321847-2	NO					
2321847-3	NO					
2321848-2	NO					
2321848-3	NO					
2321858-3	NO					
2321858-4	NO					
2321864-1	NO					
2321864-2	NO					
2321865-2	NO					
2321865-3	NO					
2321876-2	NO					
2321982-1	NO					
2321982-2	NO					
2321982-3	NO					
2323723-1	NO					
2323769-1	NO					
2323771-2	NO					
2323835-1	NO					
2323995-2	NO					
2324652-1	NO					
2324653-1	NO					
2324654-1	NO					
2324654-3	NO					
2324767-2	NO					
2324767-3	NO					
2325178-1	NO					
2325179-1	NO					
2325263-1	NO					
2325422-1	NO					
2325433-2	NO					
2325440-2	NO					
2325444-2	NO					
2325448-1	NO					
2325449-1	NO					
2325450-1	NO					
2325451-2	NO					
2325454-1	NO					
2325455-1	NO					
2325611-1	NO					
2325611-2	NO					
2325612-1	NO					
2325612-2	NO					
2325612-3	NO					
2325615-1	NO					
2325615-2	NO					
2325615-3	NO					
2325616-1	NO					
2325616-2	NO					
2325673-3	NO					
2327150-2	NO					
2327604-2	NO					
2327611-1	NO					
2327611-2	NO					
2327691-2	NO					
2329119-3	NO					
2329515-2	NO					
2331524-1	NO					
2331582-1	NO					
2331582-2	NO					
2331588-1	NO					
2331588-2	NO					

Part Number	Part Discontinued per PCN	Customer Drawing	Alias Part Number(s)	Substitute Part Number	Substitute Alias Part Number(s)	Description Of Difference
2333567-1	NO					
2333672-1	NO					
2333673-1	NO					
2334629-1	NO					
2334630-1	NO					
2334704-1	NO					
2334705-1	NO					
2335902-1	NO					
2335902-2	NO					
2339949-1	NO					
2339949-2	NO					
2339949-3	NO					
2340327-1	NO					
2344067-2	NO					
2344068-2	NO					
2344917-1	NO					
2344926-1	NO					
2348061-1	NO					
2348609-1	NO					
2348609-3	NO					
2349020-1	NO					
2349320-1	NO					
2350526-1	NO					
2350527-1	NO					
2350657-1	NO					
2350940-1	NO					
2352297-1	NO					
2354451-1	NO					
2356047-1	NO					
2356237-1	NO					
2840750-1	NO					
2840837-1	NO					
3-1419158-1	NO					
3-1438233-1	NO		"102582"			
3-1438233-2	NO		"102583"			
3-1438640-1	NO					
3-1438640-2	NO					
3-1438640-3	NO					
3-1438640-4	NO					
3-1438640-5	NO					
3-1438640-7	NO					
3-1438640-8	NO					
3-1438640-9	NO					
3-1924672-4	NO					
3-1924672-7	NO					
3-2138020-1	NO					
3-2138020-2	NO					
3-2138020-4	NO					
316836-1	NO		"0-0316836-1"			
5-1299505-1	NO					
5-1299505-2	NO					
5-1299505-3	NO					
5-1299505-4	NO					
5-1557774-1	NO					
5-1557774-3	NO					
5-1557774-4	NO					
5-1557774-5	NO					
5-1557774-7	NO					
5-1557802-1	NO					
5-1557803-1	NO					
5-1557910-1	NO					
5-1557910-2	NO					
5-1557911-1	NO					
5-1557921-1	NO					
5-1557922-1	NO					

Part Number	Part Discontinued per PCN	Customer Drawing	Alias Part Number(s)	Substitute Part Number	Substitute Alias Part Number(s)	Description Of Difference
5-1924670-0	NO					
5-2237135-1	NO					
5-2324654-1	NO					
5-2324654-3	NO					
5-2325384-2	NO					
5-2325384-3	NO					
5-2325385-2	NO					
5-2325385-3	NO					
5-2325391-1	NO					
5-2325392-2	NO					
5-2325392-4	NO					
5-2344068-2	NO					
5-928999-1	NO					
5-963715-1	NO					
6-1299373-1	NO					
6-1299373-2	NO					
6-1299373-3	NO					
638078-1	NO					
638078-3	NO					
638085-1	NO					
638097-2	NO					
638112-1	NO					
638112-2	NO					
638112-3	NO					
638137-1	NO					
638187-1	NO					
638187-2	NO					
638187-3	NO					
638187-4	NO					
638204-2	NO					
638258-6	NO					
638286-1	NO					
638601-1	NO					
638623-8	NO					
638623-9	NO					
66773-2	NO					
66773-3	NO					
7-1452668-1	NO					
7-1452668-3	NO					
770380-2	NO					
770444-1	NO					
770589-1	NO					
773119-1	NO					
776014-1	NO					
776033-1	NO					
776033-7	NO					
776061-1	NO					
776129-2	NO					
776129-6	NO					
776181-1	NO					
776197-1	NO					
776298-1	NO					
776298-2	NO					
776299-1	NO					
776299-2	NO					
776326-4	NO					
776671-1	NO					
776685-3	NO					
776690-2	NO					
776887-2	NO					
776887-3	NO					
776887-5	NO					
8-1419157-9	NO		"V23542-G2164-L202"			
9-1438313-2	NO					
9-1438772-6	NO					

Part Number	Part Discontinued per PCN	Customer Drawing	Alias Part Number(s)	Substitute Part Number	Substitute Alias Part Number(s)	Description Of Difference
9-1924089-6	NO					
9-2035371-6	NO					
9-2035587-6	NO					
9-2138202-6	NO					
9-638230-2	NO					
9-638256-2	NO					
9-638266-1	NO					
9-638608-2	NO					
9-776203-2	NO					
9-776631-2	NO					
9-776635-1	NO					
927784-2	NO		"0-0927784-2"			
963715-1	NO					



Section 3

Customer Engineering Approval



Section 4

Design FMEA

**See Section A for nondisclosure conditions.
The Design FMEA, if included, is a Class II confidential document
belonging to TE Connectivity. A class II document may not be
further distributed and is subject to the conditions of the
nondisclosure agreement.**



Section 5

Process Flow Diagram

See Section A for nondisclosure conditions.

The Process Flow Diagram, if included, is a Class II confidential document belonging to TE Connectivity. A class II document may not be further distributed and is subject to the conditions of the nondisclosure agreement.



Section 6

Process FMEA

See Section A for nondisclosure conditions.

The Process FMEA, if included, is a Class II confidential document belonging to TE Connectivity. A class II document may not be further distributed and is subject to the conditions of the nondisclosure agreement.



Section 7

Control Plan

See Section A for nondisclosure conditions.
The Control Plan, if included, is a Class II confidential document belonging to TE Connectivity. A class II document may not be further distributed and is subject to the conditions of the nondisclosure agreement.



Section 8

Measurement System Analysis

Section 9

Dimensional Results



Section 10

Material, Performance Test Results

Inspection certificate 3.1 as per EN 10204 : 2004

TE Connectivity Corporation

Order confirmation No. : **8710101147 001**
 Production order No. : ****8700****
 Handling unit :
 Delivery note No. : **8780093866 010**
 Quantity delivered : **5,391.9 LBS**
 Date : **04/27/2020**

Purchase order No.	: 2711048276
Date	: 01/28/2020
Customer part No.	: 5-703314-6
Vers./index , date cust.spec	:

Further inspections

Inspection characteristics	Unit	Specified Reference (R)		Measured	
		Min.	Max.	Min.	Max.
Electrical conductivity - IACS	%	34.5		45.3	45.3
Mean grain size	mm		0.03	0.007	0.007
90° bend test parallel					Result good
90° bend test perpend.					Result good
180° bend test parallel					Result good
180° bend test perpend.					Result good
Coating thickness, SNTOP	µinch	40	120	66.5	117.3

Inspection characteristics	<i>Ra - arithmetic average roughness</i>		<i>Ra - arithm. average roughn. tin layer</i>	
	XRA	XRAVZ	XRA	XRAVZ
Unit	µinch	µinch		
Minimum/Reference(R)				
Maximum/Reference(R)	12.0	14.0		

Measured values:

MC / Coll

EN222		< 13.8
EN222_1	4.2	
EN222_2	3.7	
EN224		< 13.8
EN224_1	4.2	
EN224_2	3.7	
EN226		< 13.8
EN226_1	4.2	
EN226_2	3.7	

Geometrical dimensions

Inspection characteristics	Unit	Specified Reference (R)		Measured	
		Min.	Max.	Min.	Max.

Inspection certificate 3.1 as per EN 10204 : 2004

TE Connectivity Corporation

Order confirmation No. : **8710101147 001**
Production order No. : ****8700****
Handling unit :
Delivery note No. : 8780093866 010
Quantity delivered : 5,391.9 LBS
Date : 04/27/2020

Purchase order No.	: 2711048276
Date	: 01/28/2020
Customer part No.	: 5-703314-6
Vers./Index, date cust.spec	:

Geometrical dimensions (continued)

Inspection characteristics	Unit	Specified Reference (R)		Measured	
		Min.	Max.	Min.	Max. (No.)
Width	In	0.5098	0.5138	0.5111	0.5124
Gauge	in	0.0064	0.007	0.0066	0.0066
Camber on 1000 mm	In		0.0787	0.0053	0.0547
Coil set measured suspended on 300 mm	In		7.48	0.02	0.68
Twist measured in horiz. posit. on 1 m	in		0.09	0.02	0.02

Attestation of conformity

As manufacturer we declare that the products described herein comply with the specifications agreed with the purchaser, with the above-mentioned standards, descriptions, quantity and the data indicated in this certificate.

These products have been manufactured under a quality system certified to ISO 9001 : 2015. Our quality system is audited regularly (Certificate No. 2007-004).

Regarding Cd and Pb the shipment is in compliance per RoHS, ELV and WEEE requirements.

Strip and sheet in copper and copper alloys do not contain: Cr(VI) and its compounds CFC, HCFC, PCB, PCN, CP, Mirex, PBB, PBDE, TBBP - A - bis, organic tin compounds, asbestos and Azo-compounds.

This material is compliant to all the substances listed in latest revision of REACH regulation.

All the materials supplied are DFAR compliant.

Chris Holm (Quality Assurance)
Telephone: +1-847-465-6198 Fax: +1-847-537-4085
e-mail: Chris.Holm@wieland.com
Computer-generated inspection certificate

Wieland Metals Inc., Wheeling, USA
Wholly owned by Wieland-Werke AG, Ulm/Donau, Germany

TE Connectivity Corporation
2800 Fulling Mill Road
Middletown PA 17057

Loading area / No. : **870005/20039576**

Purchase order No.	: 2711048276
Date	: 01/28/2020
Customer part No.	: 5-703314-6
Vers./index , date cust.spec	:

Order confirmation No. : **8710101147 001**
 Production order No. : ****8700****
 Handling unit :
 Delivery note No. : 8780093866 010
 Quantity delivered : 5,391.9 LBS
 Date : 04/27/2020

Inspection certificate 3.1 as per EN 10204 : 2004

Product:
230 Tinned strip

Material:
Wieland K55 C70250
Temper : 300 hard

Dimensions:

Dim A:	0.0067 in	0.0003	0.0003
Dim B:	0.5118 in	0.002	0.002
Dim C:			
Dim D:			

Specification:	Revision/Date of Issue
ASTM B 422	- 17
1. TE-Spec. 100-1086 Rev. Z	
2. Temper R690 = TM03	
3. Verzinkt n. 112-74-2 Rev. A	
4. 107-52-30 Rev. AU	

Remarks:

skid #: 001 / 002 / 003 /

Weight: 1899.7 LBS / 1695.4 LBS / 1796.8 LBS /

Heat 1 : EN222 / EN224 / EN226

Chemical composition as per 3.1 EN 10204 : 2004

The sum of the other elements corresponds to what is specified in the chemical standard.

Fe Iron	Pb Lead	Mg Magnesium
1B = Nickel + Cobalt	Zn Zinc	1A = Copper + silver
Mn Manganese		

Inspection characteristics	FE	PB	MG	1B	ZN	1A	MN
Unit	%	%	%	%	%	%	%
Minimum/Reference(R)			0.05	2.2			
Maximum/Reference(R)	0.20	0.05	0.30	4.2	1.0		0.10

Inspection certificate 3.1 as per EN 10204 : 2004

TE Connectivity Corporation

Order confirmation No. : **8710101147 001**
 Production order No. : ****8700****
 Handling unit :
 Delivery note No. : 8780093866 010
 Quantity delivered : 5,391.9 LBS
 Date : 04/27/2020

Purchase order No.	: 2711048276
Date	: 01/28/2020
Customer part No.	: 5-703314-6
Vers./index , date cust.spec	:

Measured values:

Heat/Lot No.

Heat 1	0.03	0.002	0.07	2.6	0.1	balance	0.004
--------	------	-------	------	-----	-----	---------	-------

SI Silicon

Inspection characteristics	SI
Unit	%
Minimum/Reference(R)	0.25
Maximum/Reference(R)	1.2

Measured values:

Heat/Lot No.

Heat 1	0.49
--------	------

Mechanical testing

XRP0.2	Rp 0.2 % yield strength	XRM	Tensile strength Rm
A2"	Elongation A2"		

Inspection characteristics	XRP0.2	XRM	A2"
Unit	KSI	KSI	%
Minimum/Reference(R)	95.0	100.0	5.0
Maximum/Reference(R)	120.0	125.0	

Measured values:

MC / Coil

EN222_A	95.4	103.5	11.2
EN222_E	96.1	104.1	10.9
EN224_A	95.4	103.5	11.2
EN224_E	96.1	104.1	10.9
EN226_A	95.4	103.5	11.2
EN226_E	96.1	104.1	10.9



TYCO ELECTRONICS

8000 PIEDMONT TRIAD PKWY

27409 GREENSBORO

USA

page 1

Inspection Certificate 3.1		coil	Producer	Packing List	order	customer
EN 10204:2005		300626367S	KM	167430	2110703 - 1	04004800
pieces	3		weight net		6798,99 lbs	
Lot Number WC407605, WC407607, WC407609						
your order	2-705487-9 2703959393 RE					
customers material no.	2-705487-9		article no.	7801531		
STOL60 0,22 x 21 SN28M						
		100-1343 REV E				
		112-73-2 Rev C / 107-18010				
mechanical test		nominal		actual		
		min.	max.	min.	max.	
thickness	"	0,00827	0,00866	0,00858	0,00874	
width	"	0,8248	0,82874	0,82677	0,82717	
tensile strength	RM ksi	60,9	71,1	64,8	65,6	
yield strength	RP ksi	50,8		60,3	60,9	
elongation	A 50mm %	2		6,4	6,6	
bend test	180° r= 0.55mm BK :			free of cracks	free of cracks	
bend test	+ 180° r= 0.44mm BK :			free of cracks	free of cracks	
electrical conductivity	m/(Omm²)	45		46,8	46,8	
edgewise camber	mm/ 900		1,6	0,06	0,15	
coil set	mm/ 900		225	4	9	
transverse curvature	mm/ 21		0,042	0,002	0,003	
slitting burr	mm		0,022	0,002	0,003	
surface roughness Ra	Ra µm		0,35	0,1	0,12	
layer	Sn28M hot dip µm	1	3	1,54	1,72	
grain size	µm		30	20	20	
twist	°/ 900		10	1	3	
chemical composition %		lead free				
P					0.0103	
SN					0.1773	
OTHERS					remainder	
The contents of all elements not listed here explicitly fulfill the requirements as defined under your order given above						
material test		person in charge: Mr. Fuchs		phone	:+49 2402 105-516	
(This computer generated letter is valid without signature)				fax	:+49 2402 105-279	
				mail	:andreas.fuchs@kmdgroup.com	



TYCO ELECTRONICS

8000 PIEDMONT TRIAD PKWY

27409 GREENSBORO

USA

page 1

Inspection Certificate 3.1		coil	Producer	Packing List	order	customer
EN 10204:2005		300612351S	KM	167430	2110703 - 1	04004800
pieces	2		weight net		4576,75 lbs	
Lot Number WC407608, WC407608						
your order	2-705487-9 2703959393 RE		article no.		7801531	
customers material no.	2-705487-9					
STOL80 0,22 x 21 SN28M						
100-1343 REV E						
112-73-2 Rev C / 107-18010						
mechanical test		nominal		actual		
		min.	max.	min.	max.	
thickness	"	0,00827	0,00866	0,00839	0,00854	
width	"	0,8248	0,82874	0,82638	0,82756	
tensile strength	RM ksi	60,9	71,1	62,7	63,1	
yield strength	RP ksi	50,8		59,3	59,5	
elongation	A 50mm %	2		7	8,1	
bend test	180° r= 0.55mm BK :			free of cracks	free of cracks	
bend test	+ 180° r= 0.44mm BK :			free of cracks	free of cracks	
electrical conductivity	m/(Omm²)	45		47,2	47,2	
edgewise camber	mm/ 900		1,6	0,29	0,51	
coil set	mm/ 900		225	17	30	
transverse curvature	mm/ 21		0,042	0,002	0,003	
slitting burr	mm		0,022	0,002	0,012	
surface roughness Ra	Ra µm		0,35	0,08	0,12	
layer	Sn28M hot dip µm	1	3	1,51	2,13	
grain size	µm		30	15	15	
twist	°/ 900		10	1	3	
chemical composition %		lead free				
P					0.0106	
SN					0.1788	
OTHERS					remainder	
The contents of all elements not listed here explicitly fulfill the requirements as defined under your order given above						
material test				phone	:+49 2402 105-516	
person in charge: Mr. Fuchs				fax	:+49 2402 105-279	
(This computer generated letter is valid without signature)				mail	:andreas.fuchs@kmdgroup.com	

TYCO ELECTRONICS

8000 PIEDMONT TRIAD PKWY

27409 GREENSBORO

USA

page 1

Inspection Certificate 3.1		coil	Producer	Packing List	order	customer
EN 10204:2005		100189389B	KM	167430	2110703 - 1	04004800
pieces	1	weight net			2524,27 lbs	
Lot Number WC407577						
your order		2-705487-9 2703959393 RE				
customers material no.		2-705487-9			article no.	7801531
STOL80 0,22 x 21 SN28M		100-1343 REV E				
		112-73-2 Rev C / 107-18010				
mechanical test		nominal		actual		
		min.	max.	min.	max.	
thickness	"	0,00827	0,00866	0,00854	0,00862	
width	"	0,8248	0,82874	0,82677	0,82795	
tensile strength	RM ksi	60,9	71,1	65,7	66	
yield strength	RP ksi	50,8		62,1	62,2	
elongation	A 50mm %	2		6,6	6,8	
bend test	180° r= 0.55mm BK :			free of cracks	free of cracks	
bend test	+ 180° r= 0.44mm BK :			free of cracks	free of cracks	
electrical conductivity	m/(Omm ²)	45		48,1	48,1	
edgewise camber	mm/ 900		1,6	0,34	0,67	
coil set	mm/ 900		225	9	60	
transverse curvature	mm/ 21		0,042	0,001	0,003	
slitting burr	mm		0,022	0,001	0,01	
surface roughness Ra	Ra µm		0,35	0,05	0,11	
layer	Sn28M hot dip µm	1	3	1,47	2,73	
grain size	µm		30	20	20	
twist	°/ 900		10	1	2	
chemical composition %		lead free				
P					0.0090	
SN					0.1706	
OTHERS					remainder	
The contents of all elements not listed here explicitly fulfill the requirements as defined under your order given above						
material test		person in charge: Mr. Fuchs			phone	:+49 2402 105-516
(This computer generated letter is valid without signature)					fax	:+49 2402 105-279
					mail	:andreas.fuchs@kmdgroup.com

TE CONNECTIVITY

8000 PIEDMONT TRIAD PKWY

27409 GREENSBORO

USA

page 1

Inspection Certificate 3.1		coil	Producer	Packing List	order	customer
EN 10204:2005		300626352S	KM	167819	2108019 - 1	04004800
pieces	3		weight net		5714,32 lbs	
Lot Number		WC408082, WC408081, WC408080				
your order	705566-5 36079993		article no.		7108260	
customers material no.	705566-5 REV B					
C7025 0,200X 26,50 SN28M		100-1086 Rev Z / 112-73-2 Rev				
		107-62-18 REV AU				
mechanical test		nominal		actual		
		min.	max.	min.	max.	
thickness	"	0,0076	0,00789	0,00772	0,00783	
width	"	1,04134	1,04528	1,04331	1,04449	
tensile strength	RM ksi	87	113,1	100,2	100,4	
yield strength	RP ksi	72,5	84,1	82,2	82,7	
elongation	A 50mm %	10		16,4	16,4	
bend test	180° r= 0.20mm BK :			free of cracks	free of cracks	
bend test	+ 180° r= 0.20mm BK :			free of cracks	free of cracks	
lacs	%	40		42,2	42,2	
edgewise camber	mm/ 900		1,6	0,12	0,2	
coil set	mm/ 900		225	13	31	
transverse curvature	mm/ 27		0,053	0,002	0,003	
slitting burr	mm		0,02	0,001	0,006	
surface roughness Ra	Ra µm		0,35	0,08	0,13	
layer	Sn28M hot dip µm	1	3	2,01	2,93	
grain size	µm		30	20	20	
twist	°/ 900		10	1	3	
chemical composition %		lead free				
SI					0.4278	
MG					0.1001	
CO					0.0006	
ZN					0.0717	
MN					0.0014	
FE					0.0238	
NI					2.3536	
The contents of all elements not listed here explicitly fulfill the requirements as defined under your order given above						
material test			phone :+49 2402 105-516			
person in charge: Mr. Fuchs			fax :+49 2402 105-279			
(This computer generated letter is valid without signature)			mail :andreas.fuchs@kmdgroup.com			

dated 09.06.2020



TE CONNECTIVITY

8000 PIEDMONT TRIAD PKWY

27409 GREENSBORO

USA

page 2

Inspection Certificate 3.1		coil	Producer	Packing List	order	customer
EN 10204:2005		300626352S	KM	167819	2108019 - 1	04004800
pieces	3				weight net	5714,32 lbs
Lot Number WC408082, WC408081, WC408080						
your order		705566-5 36079993				
customers material no.		705566-5 REV B		article no.	7106260	
C7025 0,200X 26,50 SN28M		100-1086 Rev Z / 112-73-2 Rev				
		107-52-18 REV AU				
CU						remainder
The contents of all elements not listed here explicitly fulfill the requirements as defined under your order given above						
material test		person in charge: Mr. Fuchs		phone	:+49 2402 105-516	
(This computer generated letter is valid without signature)				fax	:+49 2402 105-279	
				mail	:andreas.fuchs@kmdgroup.coi	

Section 11

Initial Process Studies

Not Applicable



Section 12

Qualified Laboratory Documentation

Certificate of Registration

QUALITY MANAGEMENT SYSTEM - IATF 16949:2016

This is to certify that:

TE Connectivity
Global Automotive Division
Americas North
719 Pegg Road
Greensboro
North Carolina
27409
USA

operates a Quality Management System which complies with the requirements of IATF 16949:2016 for the following scope:

Design and manufacture of electrical interconnecting devices.

For and on behalf of BSI:



Carlos Pitanga, Chief Operating Officer Assurance – Americas

BSI Certificate Number: 514458-007

IATF Number: 0338830



Certification Date: 2018-10-18

Latest Issue: 2018-10-18

Page: 1 of 3

...making excellence a habit.™

Expiry Date: 2021-10-17

This certificate remains the property of BSI and shall be returned immediately upon request.

An electronic certificate can be authenticated [online](http://www.bsigroup.com/ClientDirectory). Printed copies can be validated at www.bsigroup.com/ClientDirectory

To be read in conjunction with the scope above or the attached appendix.

Further clarifications regarding the scope of this certificate and the applicability of IATF 16949 requirements may be obtained by consulting the organization.

IATF Contracted Office: BSI Assurance UK Limited, registered in England under number 7805321 at 389 Chiswick High Road, London W4 4AL, UK.

Location

TE Connectivity
Global Automotive Division
Americas North
719 Pegg Road
Greensboro
North Carolina
27409
USA

Registered Activities

Design and manufacture of electrical interconnecting devices.

Including the following remote support functions:

TE Connectivity
Global Automotive Division
Americas North
3800 Reidsville Road
Winston-Salem
North Carolina
27102
USA
Supplier management, Sales, Testing, Product design

TE Connectivity
Global Automotive Division
Americas North
20 Esna Park Drive
Markham
Ontario
L3R 1E1
Canada
Testing, Product design

TE Connectivity
Global Automotive Division
Americas North
1901 Fulling Mill Road
Middletown
Pennsylvania
17057
USA
Customer service, Testing, Product design

TE Connectivity
Global Automotive Division
Americas North
900 Wilshire Boulevard
Suite 150
Troy
Michigan
48084
USA
Product design

BSI Certificate Number: 514458-007

IATF Number: 0338830



Certification Date: 2018-10-18

Latest Issue: 2018-10-18

Expiry Date: 2021-10-17

Page: 2 of 3

This certificate remains the property of BSI and shall be returned immediately upon request.

An electronic certificate can be authenticated [online](http://www.bsigroup.com/ClientDirectory). Printed copies can be validated at www.bsigroup.com/ClientDirectory

To be read in conjunction with the scope above or the attached appendix.

Further clarifications regarding the scope of this certificate and the applicability of IATF 16949 requirements may be obtained by consulting the organization.

IATF Contracted Office: BSI Assurance UK Limited, registered in England under number 7805321 at 389 Chiswick High Road, London W4 4AL, UK.

Location

Registered Activities

TE Connectivity
North Carolina Distribution Center
8000 Piedmont Triad Parkway
Greensboro
North Carolina
27409
USA
Warehousing

TE Connectivity
Global Automotive Division
Americas North
2100 Paxton Street
Harrisburg
Pennsylvania
17111
USA
Testing

TE Connectivity
3900 Reidsville Road
Winston Salem
North Carolina
27101
USA
Testing

TE Connectivity
3920 Reidsville Road
Winston Salem
North Carolina
27101
USA
Testing

Including the following extended manufacturing sites:

TE Connectivity
Global Automotive Division
Americas North
233 Burgess Road
Greensboro
North Carolina
27409
USA
Design and manufacture of electrical interconnecting devices

BSI Certificate Number: 514458-007

IATF Number: 0338830



Certification Date: 2018-10-18

Latest Issue: 2018-10-18

Expiry Date: 2021-10-17

Page: 3 of 3

This certificate remains the property of BSI and shall be returned immediately upon request.

An electronic certificate can be authenticated [online](http://www.bsigroup.com/ClientDirectory). Printed copies can be validated at www.bsigroup.com/ClientDirectory

To be read in conjunction with the scope above or the attached appendix.

Further clarifications regarding the scope of this certificate and the applicability of IATF 16949 requirements may be obtained by consulting the organization.

IATF Contracted Office: BSI Assurance UK Limited, registered in England under number 7805321 at 389 Chiswick High Road, London W4 4AL, UK.



Section 13

Appearance Approval Report

Not Applicable



Section 14

Sample Product

**Sent in separate package
(if required)**



Section 15

Master Sample

Retained at manufacturing location



Section 16

Checking Aids

Not Applicable



Section 17

Records of Compliance with Customer-Specific Requirements

MDS Report

Substances of assemblies and materials

This report is for internal Automotive industry use only. Distribution to non-Automotive clients is a violation of the Terms of Use, and is not permitted unless a written permission was given by DXC Technology. Parsing is not allowed.

1. Company and Product Name

1.1 Supplier Data

Name [ID]: **Tyco Electronics GAD
[913]**

DUNS Number: **-**

Street/Postal Code: **Amperestr. 12-14**

Nat./ZipCode/City: **DE 64625 Bensheim**

Supplier Code: **-**

Contact Person: **IMDS Team (India)
Engineering Services**

- Phone: **-**

- Fax No.: **-**

- E-Mail Address: **imds@te.com**

1.2 Product Identification

Part/Item No.: **1670146-1**

Description: **MCON-1.2 CB (SWS)**

Report No.: **-**

Date of Report: **-**

Purchase Order No.: **-**

Bill of Delivery No.: **-**

Preliminary MDS: **No**

IMDS ID / Version: **57198842 / 16**

Node ID: **781968013**

MDS Status (Change Date): **Internally released
(11/05/2018)**

MDS Report

Substances of assemblies and materials

Materials which are subject to legal prohibitions must not be included!
 Dangerous substances formed or released during use must also be declared
 Please note: GADSL list for substances that require declaration

2. Characterization of the Component

Part/Item No.: **1670146-1**
 Description: **MCON-1.2 CB (SWS)**

Report No.: **-**
 IMDS ID / Version: **57198842 / 16**
 Node ID: **781968013**

Tree Level	Description Article Name Name Substance name	Part/Item No. Item- /Mat.-No. Material-No. CAS No.	IMDS ID / Version	Quantity	Weight [g]	Portion [%]	Portion (from - to) [%]	Classif. GADSL, SVHC	Parts Marking Recyclate (Indust./Consumer) Application [ID]
1	MCON-1.2 CB (SWS)	1670146-1	57198842 / 16		0.177				
├2	Body			1	0.148				
├3	CuSn0,15		10767190 / 5		0.1447			3.2 No	
├4	Copper	7440-50-8				99.7475		D	
├4	Misc., not to declare	system				0.05	0 - 0.1		

IMDS ID / Version:
User:

57198842 / 16
Lara, Alejandra

Page:
Date:

3 / 4
9/1/20 12:30:56 AM

Tree Level	Description Article Name Name Substance name	Part/Item No. Item- /Mat.-No. Material-No. CAS No.	IMDS ID / Version	Quantity	Weight [g]	Portion [%]	Portion (from - to) [%]	Classif. GADSL, SVHC	Parts Marking Recyclate (Indust./Consumer) Application [ID]
└4	Phosphorus	7723-14-0				0.0075	0 - 0.015		
└4	Iron	7439-89-6				0.01	0 - 0.02		
└4	Zinc (metal)	7440-66-6				0.05	0 - 0.1		
└4	Nickel	7440-02-0				0.01	0 - 0.02	D	Not applicable [34]
└4	Tin	7440-31-5				0.125	0.1 - 0.15		
└3	e-plate SnAg (electrodeposited Tin-Silver Coatings)		10629288 / 2		0.0033			4.2	No
└4	Carbon	7440-44-0				0.025	0.01 - 0.04		
└4	Sulphur	7704-34-9				0.02	0.01 - 0.03		
└4	Tin	7440-31-5				97.195			
└4	Silver	7440-22-4				2.75	0.5 - 5	D / P	
└4	Lead	7439-92-1				0.01	0 - 0.02	D / P / SVHC	Concentration within acceptable GADSL limits [44]
└2	MCON-1.2 CB (Insert Spring)	1394895-1	36361970 / 22	1	0.029				
└3	Copper Nickel		73855529 / 5		0.0288			3.2	No
└4	Copper	7440-50-8				94.775		D	
└4	Nickel	7440-02-0				3.2	2.2 - 4.2	D	Not applicable [34]
└4	Cobalt	7440-48-4				0.2	0 - 0.4	D	
└4	Silicon	7440-21-3				0.725	0.25 - 1.2		
└4	Iron	7439-89-6				0.1	0 - 0.2		
└4	Magnesium (metal)	7439-95-4				0.175	0.05 - 0.3		

Tree Level	Description Article Name Name Substance name	Part/Item No. Item- /Mat.-No. Material-No. CAS No.	IMDS ID / Version	Quantity	Weight [g]	Portion [%]	Portion (from - to) [%]	Classif. GADSL, SVHC	Parts Marking Recyclate (Indust./Consumer) Application [ID]
└4	Manganese	7439-96-5				0.05	0 - 0.1		
└4	Lead	7439-92-1				0.025	0 - 0.05	D / P / SVHC	Concentration within acceptable GADSL limits [44]
└4	Zinc (metal)	7440-66-6				0.5	0 - 1		
└4	Misc., not to declare	system				0.25	0 - 0.5		
└3	e-plate SnAg (electrodeposited Tin-Silver Coatings)		10629288 / 2		0.0002			4.2	No
└4	Carbon	7440-44-0				0.025	0.01 - 0.04		
└4	Sulphur	7704-34-9				0.02	0.01 - 0.03		
└4	Tin	7440-31-5				97.195			
└4	Silver	7440-22-4				2.75	0.5 - 5	D / P	
└4	Lead	7439-92-1				0.01	0 - 0.02	D / P / SVHC	Concentration within acceptable GADSL limits [44]
This is an uncontrolled copy of a document created by IMDS. End of the report.									



Section 18

Part Submission Warrant

Part Submission Warrant

Part Name	<u>MCON 1.2 CB REC SWS SN</u>	Cust. Part Number	<u>65T3290</u>
Shown on Drawing No.	<u>C-1534326</u>	Org. Part Number	<u>1670146-1</u>
Engineering Change Level	<u>G5</u>	Dated	<u>02-Feb-2015</u>
Additional Engineering Changes	<u>N / A</u>	Dated	<u>N / A</u>
Safety and/or Government Regulation	<input type="checkbox"/> Yes <input checked="" type="checkbox"/> No	Purchase Order No.	<u>N / A</u>
Weight (kg)	<u>0.00017</u>		
Checking Aid Number	<u>N / A</u>	Checking Aid Engineering Change Level	<u>N / A</u>
Dated	<u>N / A</u>		

ORGANIZATION MANUFACTURING INFORMATION

TE Connectivity / 825043995

Supplier Name & Supplier/Vendor Code

719 Pegg Road

Street Address

Greensboro 27409 USA

City Region Postal Code Country

CUSTOMER SUBMITTAL INFORMATION

Newark Electronics

Customer Name/Division

N/A

Buyer/Buyer Code

Various

Application

MATERIALS REPORTING

Reporting of all materials, not just Substances of Concern, may be required by certain OEMs or other customers.

Has customer-required Substances of Concern information been reported? Yes No

Submitted by IMDS or other customer format: 57198842 / 16

Are polymeric parts identified with appropriate ISO marking codes? Yes No N/A

REASON FOR SUBMISSION

- | | |
|--|--|
| <input type="checkbox"/> Initial submission | <input type="checkbox"/> Change to Optional Construction or Material |
| <input type="checkbox"/> Engineering Change(s) | <input type="checkbox"/> Sub-Supplier or Material Source Change |
| <input checked="" type="checkbox"/> Tooling: Transfer, Replacement, Refurbishment, or additional | <input type="checkbox"/> Change in Part Processing Location |
| <input type="checkbox"/> Correction of Discrepancy | <input type="checkbox"/> Parts produced at Additional Location |
| <input type="checkbox"/> Tooling Inactive > than 1 year | <input type="checkbox"/> Other - please specify |

REQUESTED SUBMISSION LEVEL (Check one)

- Level 1 - Warrant only (and for designated appearance items, an Appearance Approval Report) submitted to customer.
- Level 2 - Warrant with product samples and limited supporting data submitted to customer.
- Level 3 - Warrant with product samples and complete supporting data submitted to customer.
- Level 4 - Warrant and other requirements as defined by customer.
- Level 5 - Warrant with product samples and complete supporting data reviewed at supplier's manufacturing location.

SUBMISSION RESULTS

The results for dimensional measurements material and functional tests appearance criteria statistical process package

These results meet all design record requirements: YES NO (If "NO" - Explanation Required)

Mold / Cavity / Production Process Stamping

DECLARATION

I affirm that the samples represented by this warrant are representative of our parts, which were made by a process that meets all Production Part Approval Process Manual 4th Edition Requirements. I further affirm that these samples were produced at a production rate of Proprietary /1 hour. I also certify that the documented evidence of such compliance is on file and available for review. I have noted any deviation from the declaration below.

EXPLANATION/COMMENTS: Production Rate is TE proprietary. Interim Approval, full PPAP submission date of 9/17 due to pending documentation.

P-20-018730 & P-20-018731: Titan Phase 4, Transfer from Burgess to Pegg.

Is each Customer Tool properly tagged and numbered? Yes No N/A

Organization Authorized Signature Alejandra Lara H. Date 01/09/2020

Print Name Alejandra Lara Phone No. N/A Fax No. N/A

Title PPAP Technician E-mail alejandra.lara@te.com

FOR CUSTOMER USE ONLY (IF APPLICABLE)

Part Warrant Disposition: Approved Rejected Other

Customer Signature _____ Date _____

Print Name _____ Customer Tracking Number (optional) _____

March 2006 **CFG-1001**

Optional customer tracking number: _____



Section 18a

Bulk Material Requirements



Not Applicable