



Table of Contents

PPAP Package for:

Customer Name: Newark Electronics
Customer Part Number: 17R5894
(TE Connectivity Part Number): 2-1419158-5
Date: October 2020

Section A	<u>Nondisclosure Agreement</u>
Section # 1	<u>Design Records</u>
Section # 2	<u>Engineering Change Documents</u>
Section # 3	<u>Customer Engineering Approval</u>
Section # 4	<u>Design FMEA</u>
Section # 5	<u>Process Flow Diagrams</u>
Section # 6	<u>Process FMEA</u>
Section # 7	<u>Control Plan</u>
Section # 8	<u>Measurement Systems Analysis Studies</u>
Section # 9	<u>Dimensional Results</u>
Section # 10	<u>Material, Performance Test Results</u>
Section # 11	<u>Initial Process Study</u>
Section # 12	<u>Qualified Laboratory Documentation</u>
Section # 13	<u>Appearance Approval Report</u>
Section # 14	<u>Sample Product</u>
Section # 15	<u>Master Sample</u>
Section # 16	<u>Checking Aids</u>
Section # 17	<u>Records Of Compliance With Customer-Specific Requirements</u>
Section # 18	<u>Part Submission Warrant</u>
Section # 18a	<u>Bulk Material Requirements</u>



Nondisclosure Agreement

If a nondisclosure agreement has been reached with your company, it will be included on the following page(s). Please review the terms of this agreement to ensure that further actions associated with information contained within this PPAP package do not violate these terms.

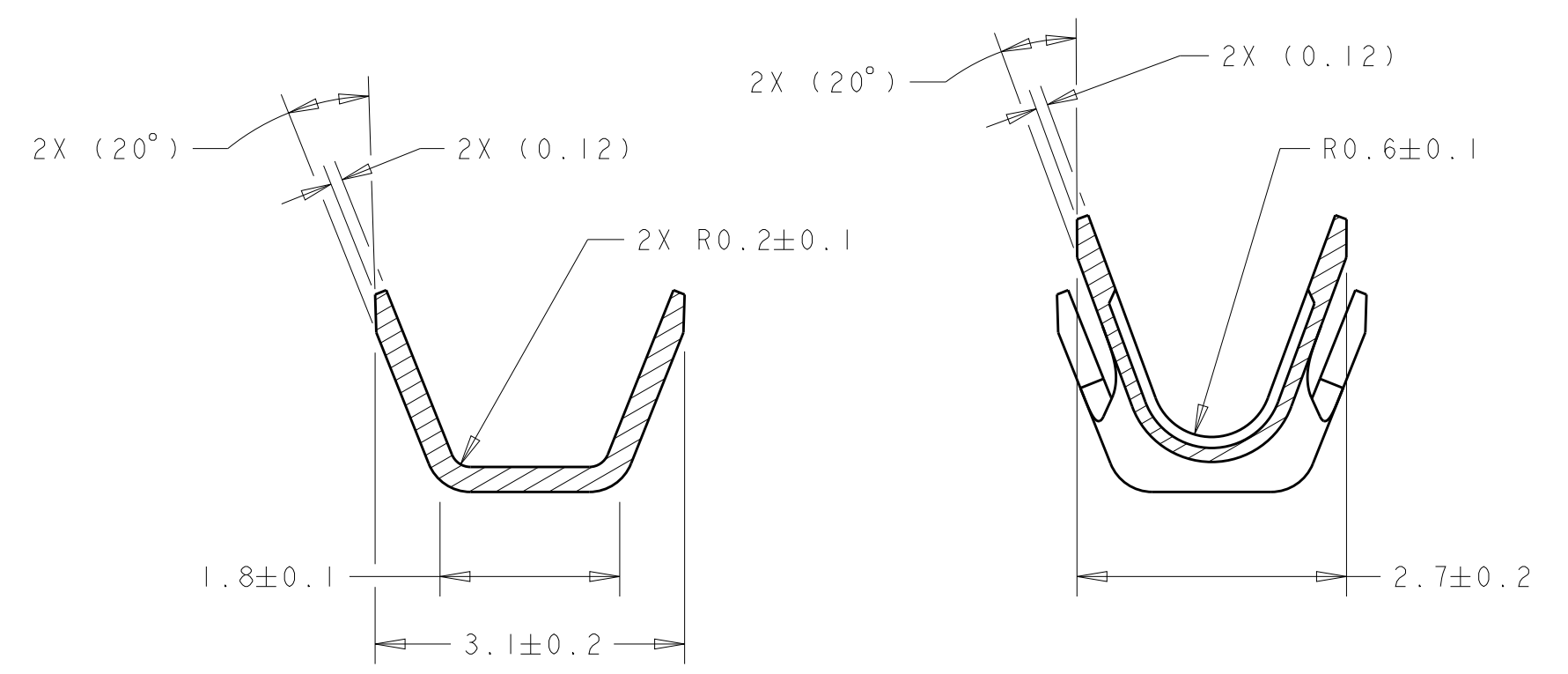
If a nondisclosure agreement HAS NOT been reached, certain documents deemed confidential by TE Connectivity will not be included in this PPAP package. These documents include but are not limited to the Design FMEA, the Process Flow Diagram, the Process FMEA and the Control Plan. These documents can be reviewed by you company but cannot be retained.



Section 1

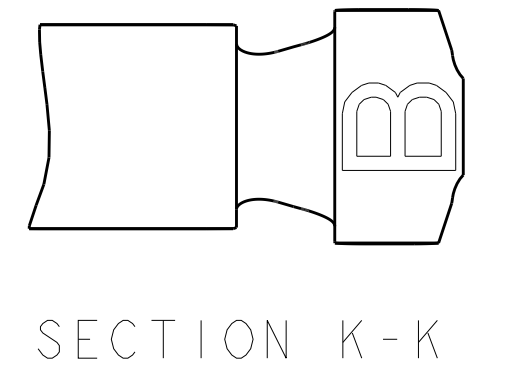
Design Records

REVISIONS				
P.	LTN	DESCRIPTION	DATE	OWN APVD
F1		REVISED PER ECO-11-005030	11MAR2011	RK HMR
F2		REVISED PER ECO-15-010152	09JUL2015	DLD WTW
F3		REVISED PER ECO-15-017989	16DEC2015	DLD WTW

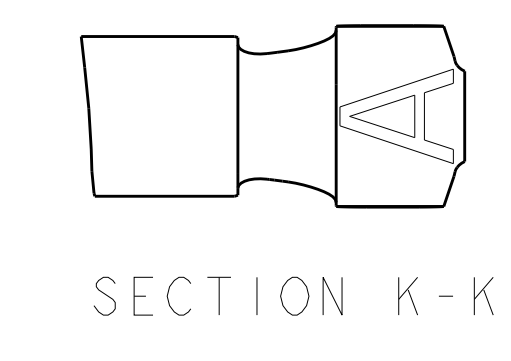


SECTION J-J SECTION H-H

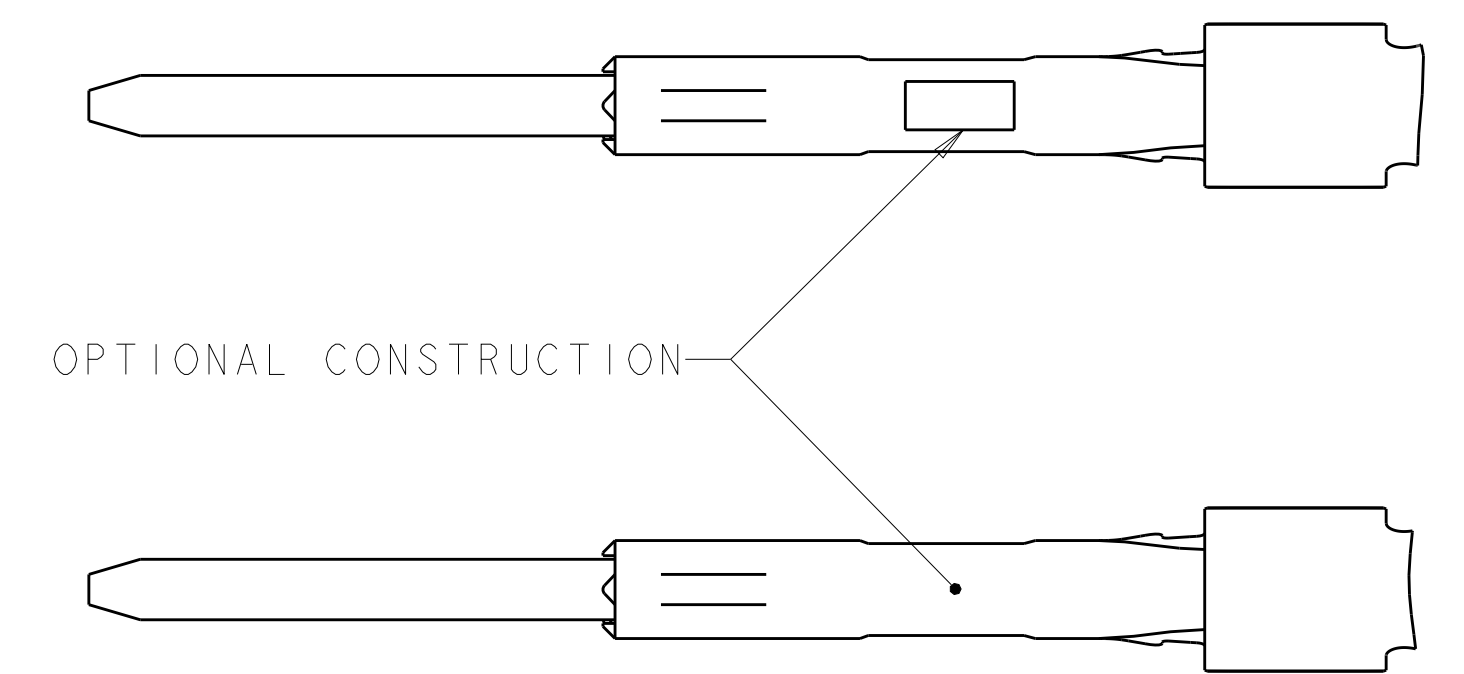
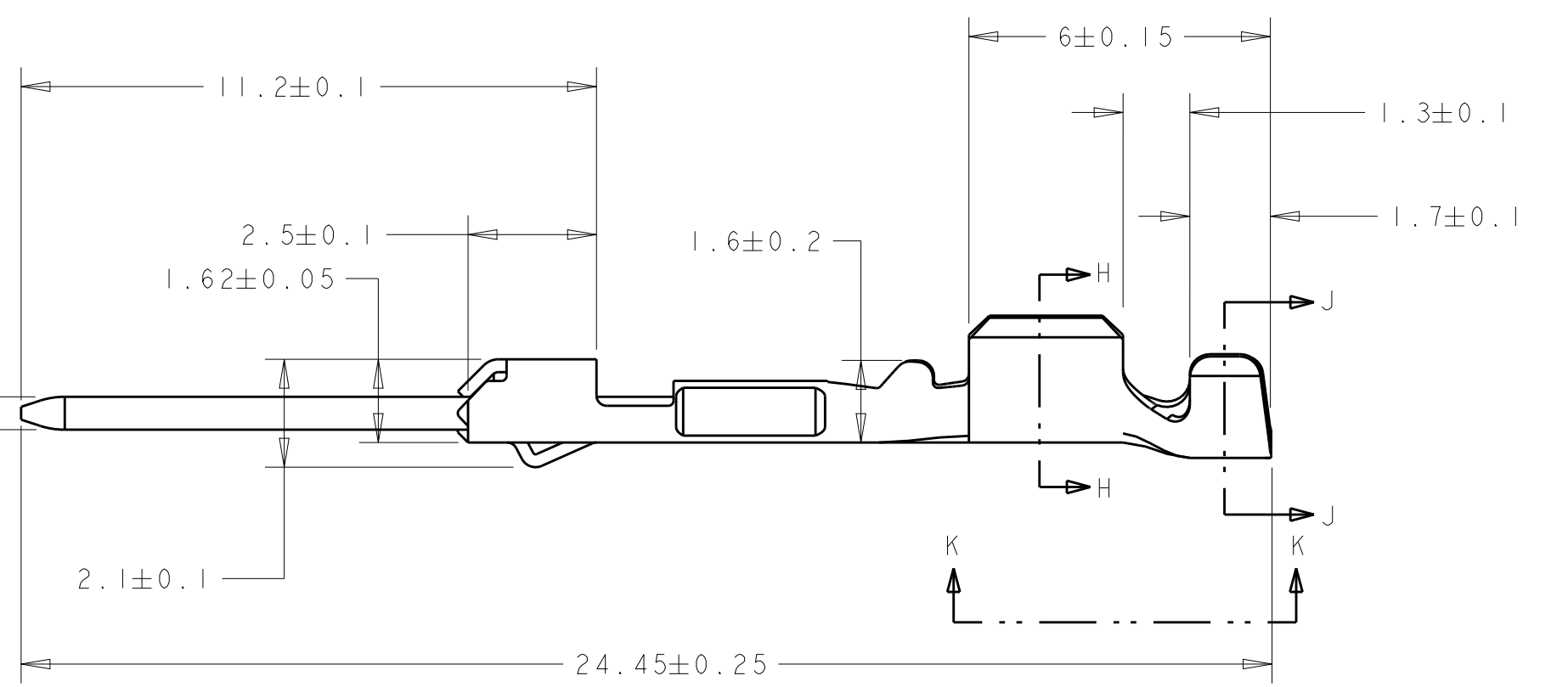
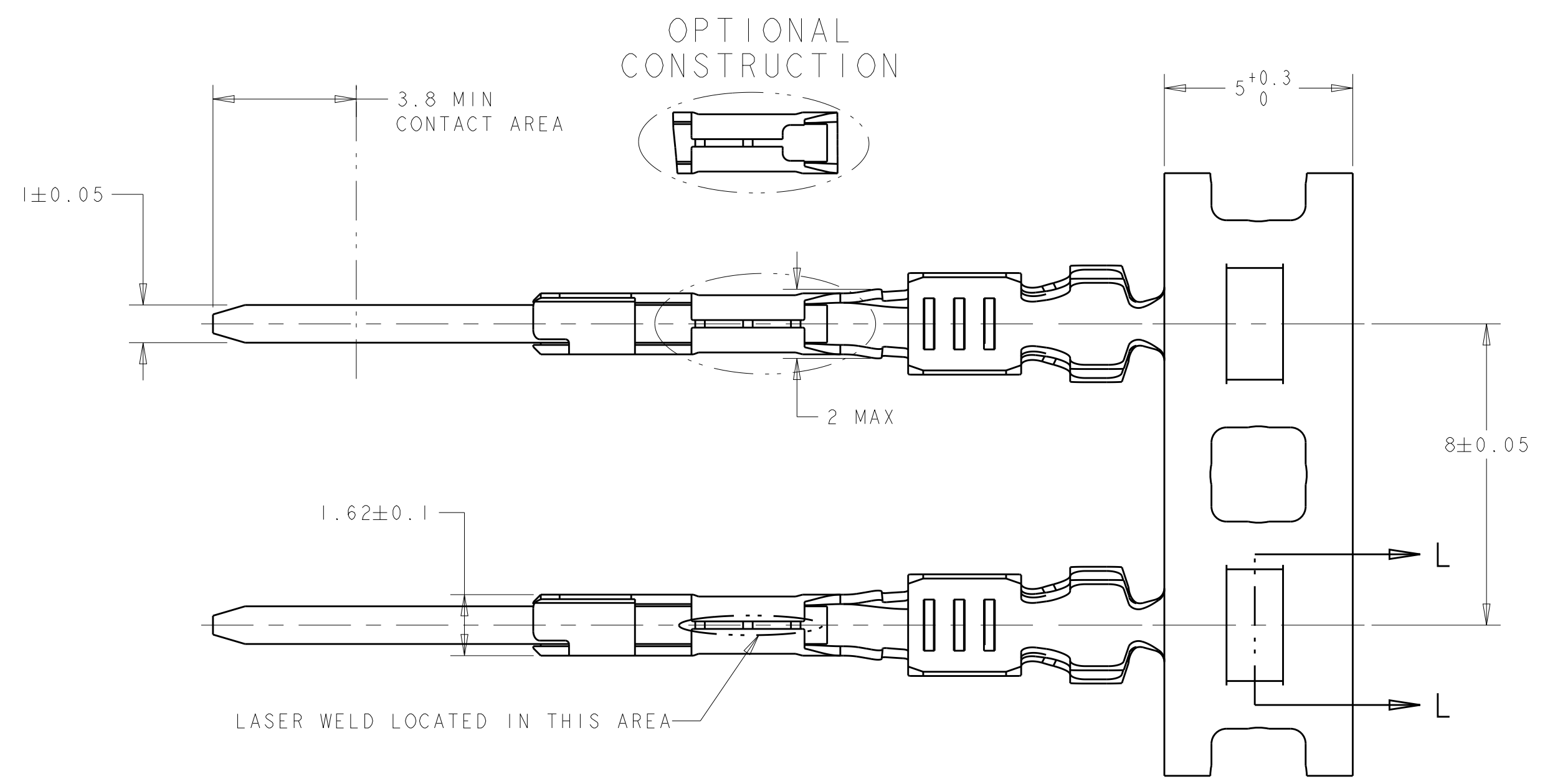
CRIMP B
WIRE CRIMP AREAS



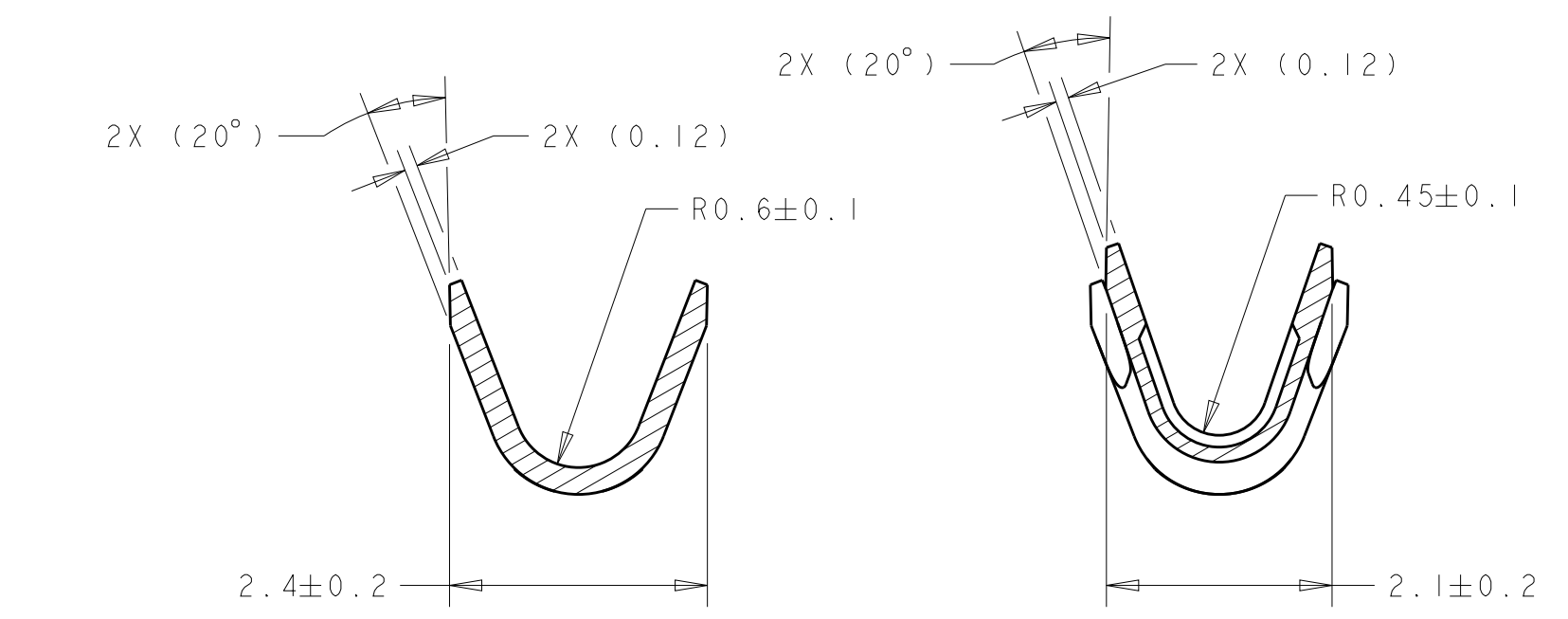
SECTION K-K



SECTION K-K

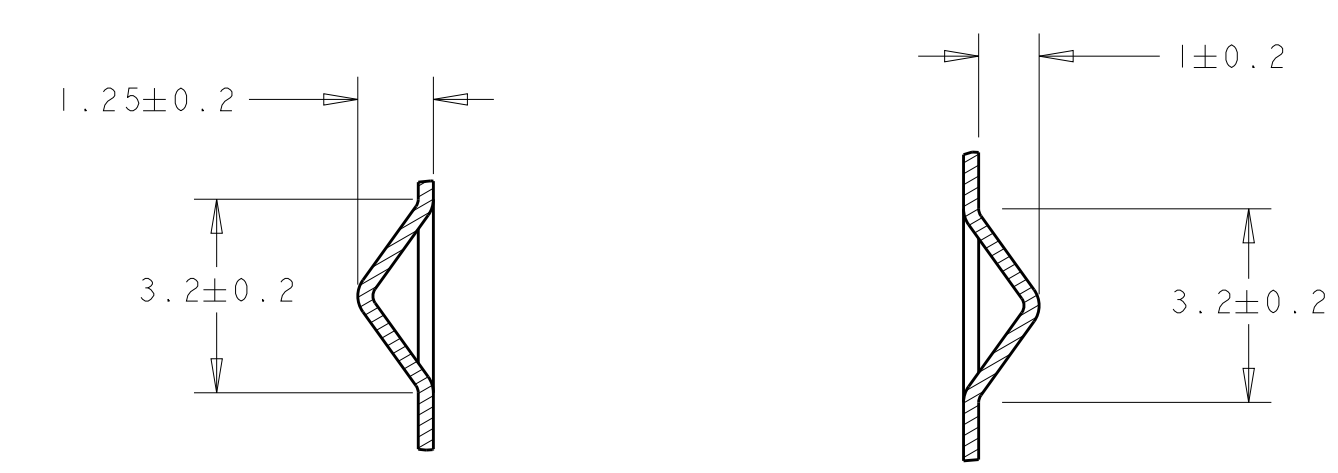


OPTIONAL CONSTRUCTION



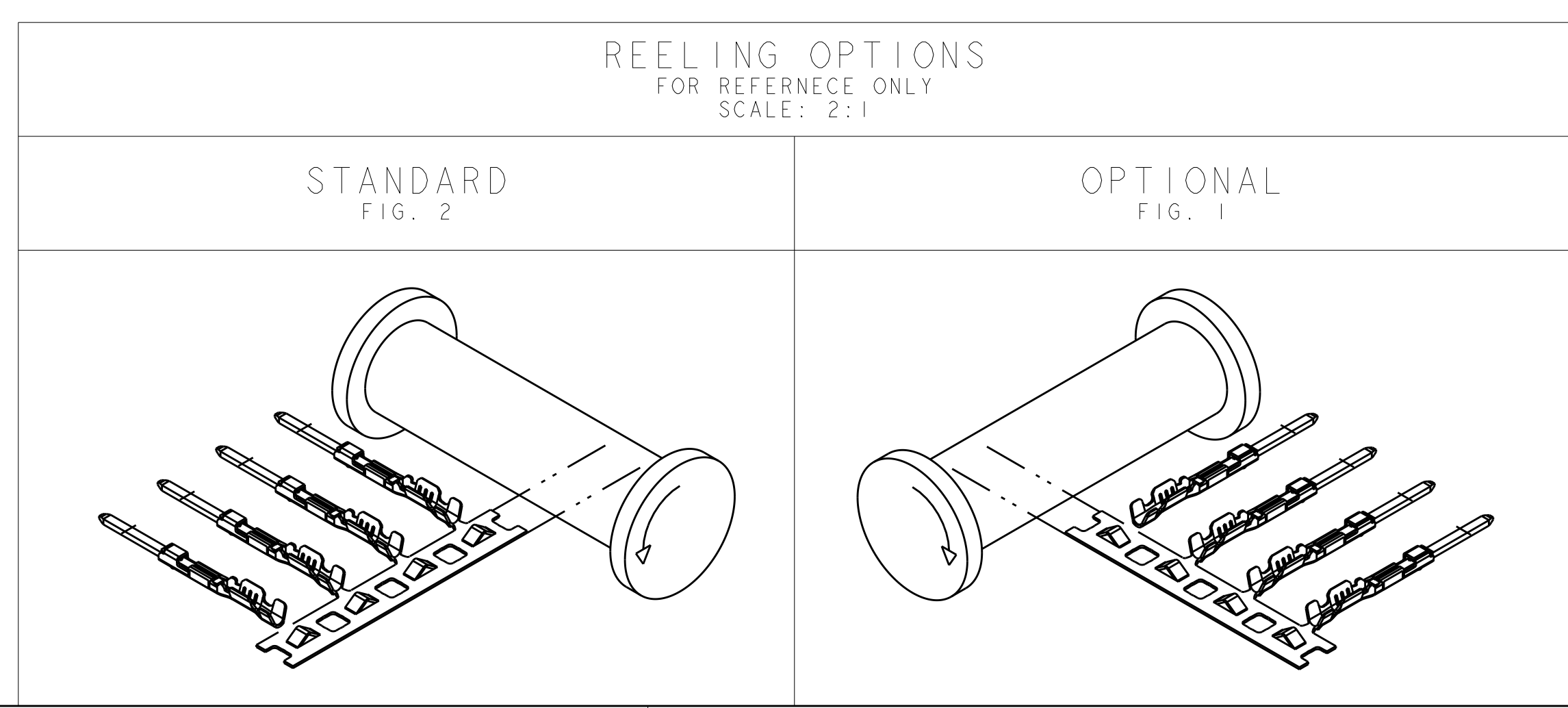
SECTION J-J SECTION H-H

CRIMP A
WIRE CRIMP AREAS



SECTION L-L TIN VERSIONS SECTION L-L GOLD AND SILVER VERSIONS

1-1438299-1	B	0.50/0.75	FIG. 1	SILVER
1-1438299-0	A	0.22/0.35	FIG. 1	SILVER
1438299-8	B	0.50/0.75	FIG. 2	SILVER
1438299-7	A	0.22/0.35	FIG. 2	SILVER
1438299-4	B	0.50/0.75	FIG. 1	TIN
1438299-3	B	0.50/0.75	FIG. 1	GOLD
1438299-2	A	0.22/0.35	FIG. 1	TIN
1438299-1	A	0.22/0.35	FIG. 1	GOLD
2-1419158-5	B	0.50/0.75	FIG. 2	TIN
2-1419158-3	B	0.50/0.75	FIG. 2	GOLD
1-1419158-6	A	0.22/0.35	FIG. 2	TIN
3-1419158-1	A	0.22/0.35	FIG. 2	GOLD
PART NO	WIRE CRIMP CODING	CONDUCTOR WIRE SIZE	REELING	PLATING SPEC.



REELING OPTIONS
FOR REFERENCE ONLY
SCALE: 2:1

STANDARD
FIG. 2

OPTIONAL
FIG. 1

THIS DRAWING IS A CONTROLLED DOCUMENT.		OWN DL DRUMMOND 22JAN2004	3-1419158-1	
DIMENSIONS: mm		CHK WT WELLINSKY 23JAN2004	PART NUMBER	
TOLERANCES UNLESS OTHERWISE SPECIFIED		APVD WT WELLINSKY 23JAN2004	TE Connectivity	
0 PLC ±		NAME	0.64mm GET MALE IN-LINE TERMINAL	
1 PLC ±		PRODUCT SPEC	-	
2 PLC ±		APPLICATION SPEC	-	
3 PLC ±		SEE NOTES	-	
4 PLC ±		WEIGHT	-	
MOLDS ±		CUSTOMER DRAWING	-	
FINISH		SIZE CAGE CODE DRAWING NO	A100779C=3-1419158-1	
-		RESTRICTED TO	-	
-		SCALE	8:1	
-		SHEET	1 of 1	
-		REV	F3	



Section 2

Engineering Change Documents



Product Change Notification

Current Date: 26-Feb-2020

TE Connectivity

Product Change Notification: P-20-018730

PCN Date: 25-FEB-20

TE would like to inform you of the following change(s) to the listed TE Connectivity Product. In case of any further questions about this change(s), please contact your TE Connectivity Sales Engineer. Affected part, drawing and/or specification numbers are listed on the attached sheet(s).

General Product Description:

Multiple Part numbers. Phase 4. Americas Footprint Optimization

Description of Changes

We hereby inform you about a transfer of stamping dies from Burgess Rd. to further improve our Supply Chain towards our customers. The transfer follows a strict procedure, which fully maintains quality, ability to supply and form-fit-function of the concerned products. The receiving manufacturing location operates under a certified quality management system in accordance with standard automotive requirements. These moves will be validated not to affect product fit, form and function, tool geometry, quality performance or the quality management system TE will uphold our responsibility to internally validate and approve these tools among appropriate first article dimensional and capability analysis, comparative 2-sample T-tests before and after moves, before and after CT scans where needed, and PV testing as defined by TE product engineering. TE is willing to provide any such validation data to our customers as our joint non-disclosure agreement statuses allow.

Reason for Changes:

Product improvement. These changes are part of an overall effort from TE to improve our supply chain toward our customers, to focus each plant on core products and processes, and to provide an overall better experience from TE to our customer base. An internal release test based on the relevant part will be executed before delivery and this notification serves to fulfill our notification requirements as prescribed by AIAG 4th edition. This change notification document accompanies a letter sent to your organization on September 13, 2019 signed by our Vice President of Sales and Marketing. Follow up conversations can occur upon request with your sales contact within 15 calendar days after receipt of this PCN. If you have any questions or needs from this move, please contact your sales engineer within 15 days of receipt of this letter. If no response is received on this period, TE will consider this as an approval and tools must move to the new locations.

Estimated Dates:

Last Order Date (Obsolete Parts Only):	First Date To Ship (Changed Parts Only):
	30-SEP-2020
Last Ship Date (Obsolete Parts Only):	Last Date for Mixed Shipments: (Changed Parts Only):
	No Mixed Shipments

Part Number(s) being Modified:

Part Number	Part Discontinued per PCN	Customer Drawing	Alias Part Number(s)	Substitute Part Number	Substitute Alias Part Number(s)	Description Of Difference
1-1326031-0	NO					
1-1326031-1	NO					
1-1326031-2	NO					
1-1326032-0	NO					
1-1326032-1	NO					
1-1326032-2	NO					
1-1417746-2	NO					
1-1419158-6	NO					
1-1437284-0	NO		"13002630102"			
1-1437856-9	NO		"107463A"			
1-1438243-1	NO		"105277"			
1-1438299-0	NO					
1-1438299-1	NO					
1-1438543-1	NO					
1-1456574-1	NO					
1-1456574-2	NO					
1-1456574-3	NO					
1-1456574-4	NO					
1-1456574-5	NO					
1-1456574-6	NO					
1-1456574-7	NO					
1-1456574-8	NO					
1-1456841-1	NO					
1-1456841-2	NO					
1-1456841-3	NO					
1-1456841-4	NO					

Part Number	Part Discontinued per PCN	Customer Drawing	Alias Part Number(s)	Substitute Part Number	Substitute Alias Part Number(s)	Description Of Difference
1-1456841-5	NO					
1-1456841-6	NO					
1-1456841-7	NO					
1-1456841-8	NO					
1-1563844-1	NO					
1-1563844-3	NO					
1-1563845-1	NO					
1-1563845-3	NO					
1-1732466-0	NO					
1-1732467-0	NO					
1-175448-0	NO					
1-1924674-0	NO					
1-1924674-2	NO					
1-1924674-3	NO					
1-1924675-9	NO					
1-1924678-1	NO					
1-1924678-4	NO					
1-1924678-5	NO					
1-1924678-6	NO					
1-1924727-1	NO					
1-1924727-2	NO					
1-1924727-3	NO					
1-1924727-4	NO					
1-2035170-1	NO					
1-2035170-2	NO					
1-2035170-4	NO					
1-2035170-5	NO					
1-2035334-1	NO					
1-2035334-2	NO					
1-2035334-3	NO					
1-2035334-4	NO					
1-2035334-5	NO					
1-2035334-6	NO					
1-2035334-7	NO					
1-2035334-8	NO					
1-2035448-0	NO					
1-2035448-1	NO					
1-2098165-1	NO					
1-2098338-5	NO					
1-2098338-6	NO					
1-2098339-5	NO					
1-2098339-6	NO					
1-2098753-1	NO					
1-2098753-2	NO					
1-2098753-3	NO					
1-2098753-4	NO					
1-2098753-5	NO					
1-2098753-6	NO					
1-2098753-7	NO					
1-2098753-8	NO					
1-2103157-1	NO					
1-2103157-2	NO					
1-2137021-4	NO					
1-2137021-7	NO					
1-2138020-0	NO					
1-2203260-0	NO					
1-2288243-1	NO					
1-2288243-2	NO					
1-2288244-1	NO					
1-2288244-2	NO					
1-2321769-0	NO					
1-2321769-1	NO					
1-2336677-1	NO					
1-638623-6	NO					
1-638623-8	NO					

Part Number	Part Discontinued per PCN	Customer Drawing	Alias Part Number(s)	Substitute Part Number	Substitute Alias Part Number(s)	Description Of Difference
1-638623-9	NO					
1-968849-1	NO					
1318612-1	NO					
1326018-1	NO					
1326018-2	NO					
1326029-1	NO					
1326029-2	NO					
1326029-3	NO					
1326029-4	NO					
1326029-5	NO					
1326029-6	NO					
1326029-7	NO					
1326029-8	NO					
1326031-1	NO					
1326031-2	NO					
1326031-3	NO					
1326031-4	NO					
1326031-5	NO					
1326031-6	NO					
1326031-7	NO					
1326031-8	NO					
1326031-9	NO					
1326032-1	NO					
1326032-2	NO					
1326032-3	NO					
1326032-4	NO					
1326032-5	NO					
1326032-6	NO					
1326032-7	NO					
1326032-8	NO					
1326032-9	NO					
1393364-1	NO		"V23540X7000Y 10", "V23540X7000Y10"			
1393364-2	NO					
1393365-1	NO		"V23540X7000Y 20", "V23540X7000Y20"			
1393365-2	NO					
1393366-1	NO		"V23540X7000Y 21", "V23540X7000Y21"			
1393366-2	NO					
1393367-1	NO		"V23540X7000Y 11", "V23540X7000Y11"			
1393367-2	NO					
1418844-3	NO					
1418850-1	NO					
1418850-3	NO					
1437882-8	NO		"109640A", "X109640A"			
1438058-1	NO					
1438087-2	NO					
1438231-1	NO		"103661B"			
1438231-2	NO		"103662B"			
1438231-5	NO		"103665B"			
1438236-1	NO		"101715"			
1438236-2	NO		"101716"			
1438236-3	NO		"101713"			
1438236-5	NO		"109976"			
1438237-1	NO		"E83AA-H137LB"			
1438241-1	NO		"N38EA-F113AA"			
1438241-2	NO		"101904"			
1438243-1	NO		"E7EB-14474-EA", "E7EB-A4474-EA", "N36DA-F119AA"			
1438248-1	NO					
1438248-3	NO		"A47AA-K111EA"			
1438253-1	NO		"A38GA-F115AA"			
1438262-1	NO		"B73AA-F5LHK0"			
1438291-6	NO					
1438299-1	NO					
1438299-2	NO					
1438299-3	NO					

Part Number	Part Discontinued per PCN	Customer Drawing	Alias Part Number(s)	Substitute Part Number	Substitute Alias Part Number(s)	Description Of Difference
1438299-4	NO					
1438299-7	NO					
1438299-8	NO					
1438304-1	NO					
1438318-1	NO					
1438322-3	NO					
1438322-4	NO					
1438322-5	NO					
1438478-2	NO					
1438527-1	NO					
1438528-1	NO					
1438615-3	NO					
1438615-5	NO					
1438633-1	NO					
1438633-2	NO					
1438633-3	NO					
1438633-4	NO					
1438633-5	NO					
1438698-1	NO					
1438720-2	NO					
1438780-1	NO					
1438801-2	NO					
1438858-1	NO					
1438926-3	NO					
1438981-1	NO					
1448317-1	NO		"600337900A"			
1452503-3	NO					
1456324-1	NO					
1456324-3	NO					
1456468-1	NO					
1456468-2	NO					
1456549-1	NO					
1456549-3	NO					
1456555-1	NO					
1456555-2	NO					
1456574-1	NO					
1456574-2	NO					
1456574-3	NO					
1456574-5	NO					
1456574-6	NO					
1456574-7	NO					
1456819-3	NO					
1456841-1	NO					
1456841-2	NO					
1456841-3	NO					
1456841-4	NO					
1456841-5	NO					
1456841-6	NO					
1456841-7	NO					
1456888-1	NO					
1488208-1	NO					
1488208-2	NO					
1488208-3	NO					
1488208-8	NO					
1488220-1	NO					
1488220-2	NO					
1488220-3	NO					
1488744-4	NO					
1488744-5	NO					
1488744-6	NO					
1557080-2	NO					
1557082-1	NO					
1557122-1	NO					
1557125-2	NO					
1557128-2	NO					

Part Number	Part Discontinued per PCN	Customer Drawing	Alias Part Number(s)	Substitute Part Number	Substitute Alias Part Number(s)	Description Of Difference
1557129-2	NO					
1557158-2	NO					
1557273-4	NO					
1557273-5	NO					
1557310-2	NO					
1557328-2	NO					
1557328-3	NO					
1557328-4	NO					
1557329-2	NO					
1557329-3	NO					
1557329-4	NO					
1557330-2	NO					
1557330-3	NO					
1557362-1	NO					
1557367-3	NO					
1557367-5	NO					
1557434-2	NO					
1557454-1	NO					
1557455-1	NO					
1557456-1	NO					
1557462-2	NO					
1557508-1	NO					
1557548-1	NO					
1557549-1	NO					
1557552-2	NO					
1557553-2	NO					
1557568-7	NO					
1557574-3	NO					
1557574-4	NO					
1557575-2	NO					
1557576-1	NO					
1557584-2	NO					
1557585-2	NO					
1557606-2	NO					
1557606-3	NO					
1557618-3	NO					
1557618-4	NO					
1557620-4	NO					
1557620-5	NO					
1557621-3	NO					
1557621-4	NO					
1557635-1	NO					
1557650-1	NO					
1557662-1	NO					
1557696-1	NO					
1557696-2	NO					
1557705-2	NO					
1557706-3	NO					
1557720-2	NO					
1557720-3	NO					
1557721-2	NO					
1557741-1	NO					
1557745-1	NO					
1557745-2	NO					
1557746-1	NO					
1557746-2	NO					
1557765-2	NO					
1557765-4	NO					
1557765-5	NO					
1557773-1	NO					
1557773-2	NO					
1557774-1	NO					
1557774-3	NO					
1557774-4	NO					
1557779-2	NO					

Part Number	Part Discontinued per PCN	Customer Drawing	Alias Part Number(s)	Substitute Part Number	Substitute Alias Part Number(s)	Description Of Difference
1557779-3	NO					
1557779-5	NO					
1557785-3	NO					
1557785-4	NO					
1557800-1	NO					
1557800-2	NO					
1557800-3	NO					
1557800-4	NO					
1557800-5	NO					
1557815-1	NO					
1557822-1	NO					
1557824-2	NO					
1557825-2	NO					
1557826-2	NO					
1557829-1	NO					
1557840-1	NO					
1557841-1	NO					
1557841-2	NO					
1557842-1	NO					
1557856-3	NO					
1557873-1	NO					
1557874-1	NO					
1557881-1	NO					
1557881-2	NO					
1557881-3	NO					
1557884-2	NO					
1557884-4	NO					
1557884-5	NO					
1557885-2	NO					
1557885-4	NO					
1557885-5	NO					
1557888-3	NO					
1557889-2	NO					
1557889-3	NO					
1557890-2	NO					
1557890-3	NO					
1557892-1	NO					
1557892-2	NO					
1557893-1	NO					
1557893-3	NO					
1557899-1	NO					
1557915-1	NO					
1557918-1	NO					
1557918-2	NO					
1557918-3	NO					
1557921-1	NO					
1557922-1	NO					
1557949-1	NO					
1557954-4	NO					
1557961-3	NO					
1557961-4	NO					
1587255-1	NO					
1587270-5	NO					
1587299-1	NO					
1587723-1	NO					
1587723-2	NO					
1587723-3	NO					
1587836-2	NO					
1587902-1	NO					
1587902-2	NO					
1587902-8	NO					
1587902-9	NO					
1642348-1	NO					
1642678-2	NO					
1642718-3	NO					

Part Number	Part Discontinued per PCN	Customer Drawing	Alias Part Number(s)	Substitute Part Number	Substitute Alias Part Number(s)	Description Of Difference
1642782-4	NO					
1642899-6	NO					
1642980-1	NO					
1670144-1	NO					
1670144-3	NO					
1670146-1	NO					
1670146-3	NO					
1719957-1	NO					
1732377-1	NO					
1732377-2	NO					
1732443-4	NO					
1732466-7	NO					
1732467-9	NO					
1732513-3	NO					
1732560-4	NO					
1732611-2	NO					
1732611-3	NO					
1732623-2	NO					
1732630-1	NO					
1732630-2	NO					
1732649-5	NO					
1732725-1	NO					
1732753-2	NO					
1732766-1	NO					
1732766-2	NO					
1732911-1	NO					
1732911-2	NO					
1732959-1	NO					
1732960-1	NO					
1732992-3	NO					
173631-1	NO					
173681-1	NO					
173682-1	NO		"0-0173682-1"			
173858-1	NO					
173860-1	NO					
173862-1	NO					
173864-1	NO					
174051-2	NO					
174051-4	NO					
174055-2	NO					
174912-2	NO					
174971-2	NO					
174975-2	NO					
174979-2	NO					
175180-1	NO					
175265-1	NO					
175269-1	NO		"0-0175269-1"			
175269-2	NO					
175448-6	NO					
175506-2	NO					
175521-6	NO					
175571-2	NO					
175571-6	NO					
175615-2	NO					
175973-2	NO					
175974-2	NO					
175975-2	NO					
179686-6	NO					
1832173-3	NO					
1832180-3	NO					
1832181-4	NO					
1832379-1	NO					
1832379-2	NO					
1832379-3	NO					
1832379-4	NO					

Part Number	Part Discontinued per PCN	Customer Drawing	Alias Part Number(s)	Substitute Part Number	Substitute Alias Part Number(s)	Description Of Difference
1832379-5	NO					
1832382-3	NO					
1832489-1	NO					
1832712-3	NO					
1832915-5	NO					
1832926-6	NO					
184095-1	NO		"8202606755"			
184095-2	NO		"EM3605-000", "AMP-0-0184095-2"			
184373-1	NO					
184373-2	NO					
1924229-1	NO					
1924229-2	NO					
1924229-3	NO					
1924230-1	NO					
1924237-2	NO					
1924241-1	NO					
1924275-1	NO					
1924275-2	NO					
1924275-3	NO					
1924275-4	NO					
1924275-5	NO					
1924275-6	NO					
1924275-7	NO					
1924275-8	NO					
1924464-1	NO		"EG9742-000", "AMP-0-1924464-1"			
1924464-2	NO					
1924579-1	NO					
1924579-3	NO					
1924580-1	NO					
1924580-2	NO					
1924674-9	NO					
1924675-1	NO					
1924675-4	NO					
1924678-1	NO					
1924678-3	NO					
1924683-1	NO					
1924684-1	NO					
1924685-1	NO					
1924689-1	NO					
1924727-1	NO					
1924727-2	NO					
1924727-3	NO					
1924727-4	NO					
1924782-1	NO					
1924782-2	NO					
1924782-3	NO					
1924879-1	NO					
1924879-2	NO					
1924880-1	NO					
1924887-1	NO					
1924955-1	NO					
1924955-2	NO					
1924955-3	NO					
1924955-4	NO					
1924955-5	NO					
1924955-6	NO					
1924955-7	NO					
1924955-8	NO					
1924968-1	NO					
1924968-2	NO					
1924968-3	NO					
1924968-4	NO					
1924968-5	NO					
1924968-6	NO					
1924968-7	NO					

Part Number	Part Discontinued per PCN	Customer Drawing	Alias Part Number(s)	Substitute Part Number	Substitute Alias Part Number(s)	Description Of Difference
1924968-8	NO					
2-1393366-2	NO					
2-1393367-2	NO					
2-1419158-3	NO					
2-1419158-5	NO					
2-1437856-0	NO		"107462A"			
2-1438640-1	NO					
2-1438640-2	NO					
2-1438640-3	NO					
2-1438640-4	NO					
2-184464-2	NO					
2-1924675-1	NO					
2-1924675-2	NO					
2-2203830-2	NO					
2-638611-6	NO					
2-638623-1	NO					
2-963964-4	NO					
2035124-1	NO					
2035170-1	NO					
2035170-2	NO					
2035170-3	NO					
2035170-4	NO					
2035170-5	NO					
2035170-8	NO					
2035334-1	NO					
2035334-2	NO					
2035334-3	NO					
2035334-4	NO					
2035334-5	NO					
2035334-6	NO					
2035334-7	NO					
2035334-8	NO					
2035448-1	NO					
2035448-2	NO					
2035448-3	NO					
2035448-5	NO					
2035448-6	NO					
2035448-7	NO					
2098165-1	NO					
2098250-1	NO					
2098250-3	NO					
2098253-1	NO					
2098253-2	NO					
2098583-2	NO					
2098583-4	NO					
2098753-1	NO					
2098753-2	NO					
2098753-3	NO					
2098753-4	NO					
2098753-6	NO					
2098753-7	NO					
2098753-8	NO					
2098835-1	NO					
2103119-2	NO					
2103183-1	NO					
2103353-1	NO					
2103742-2	NO					
2103742-3	NO					
2103743-2	NO					
2103743-3	NO					
212862-1	NO					
212862-2	NO					
213087-1	NO					
2137021-1	NO					
2137021-2	NO					

Part Number	Part Discontinued per PCN	Customer Drawing	Alias Part Number(s)	Substitute Part Number	Substitute Alias Part Number(s)	Description Of Difference
2137021-3	NO					
2137021-4	NO					
2137021-5	NO					
2137021-6	NO					
2137021-7	NO					
2137021-8	NO					
2137022-1	NO					
2137022-2	NO					
2137023-1	NO					
2137023-2	NO					
2138089-1	NO					
2138161-1	NO					
2138161-2	NO					
2138161-3	NO					
2138177-1	NO					
2138260-1	NO					
2138519-2	NO					
2138519-4	NO					
2138525-1	NO					
2138604-1	NO					
2138699-1	NO					
2138699-2	NO					
2138699-3	NO					
2138699-4	NO					
2141970-1	NO					
2141970-3	NO					
2174100-2	NO					
2203232-2	NO					
2203232-6	NO					
2203242-1	NO					
2203242-2	NO					
2203259-2	NO					
2203259-3	NO					
2203260-4	NO					
2203260-8	NO					
2203270-4	NO					
2203270-6	NO					
2203270-8	NO					
2229486-2	NO					
2237207-1	NO					
2237207-2	NO					
2247078-1	NO					
2247092-1	NO					
2247219-1	NO					
2247220-1	NO					
2247397-1	NO					
2247694-1	NO					
2272033-1	NO					
2272406-1	NO					
2272406-2	NO					
2272434-1	NO					
2288241-1	NO					
2288242-1	NO					
2288244-1	NO					
2288244-2	NO					
2292790-1	NO					
2294285-1	NO					
2294285-2	NO					
2294374-1	NO					
2294374-2	NO					
2296721-1	NO					
2297066-1	NO					
2302174-1	NO					
2302174-3	NO					
2303546-1	NO					

Part Number	Part Discontinued per PCN	Customer Drawing	Alias Part Number(s)	Substitute Part Number	Substitute Alias Part Number(s)	Description Of Difference
2304852-2	NO					
2304852-3	NO					
2304852-4	NO					
2304852-5	NO					
2305342-5	NO					
2306271-1	NO					
2306762-1	NO					
2307223-1	NO					
2307235-1	NO					
2307265-2	NO					
2307265-3	NO					
2307265-4	NO					
2307412-1	NO					
2307438-1	NO					
2307452-1	NO					
2307452-2	NO					
2307452-3	NO					
2307452-4	NO					
2307467-1	NO					
2307467-2	NO					
2307467-3	NO					
2307656-1	NO					
2307656-2	NO					
2309248-1	NO					
2309269-1	NO					
2309271-1	NO					
2309275-1	NO					
2309487-1	NO					
2309489-1	NO					
2309489-2	NO					
2309490-1	NO					
2309490-2	NO					
2309491-1	NO					
2309491-2	NO					
2309720-2	NO					
2309720-3	NO					
2310207-1	NO					
2310239-1	NO					
2310242-1	NO					
2310242-2	NO					
2310293-1	NO					
2311562-1	NO					
2311562-2	NO					
2311565-1	NO					
2311566-1	NO					
2312100-1	NO					
2312100-2	NO					
2312100-3	NO					
2312100-4	NO					
2312100-6	NO					
2312102-1	NO					
2312102-3	NO					
2312102-4	NO					
2312105-1	NO					
2312164-1	NO					
2312453-5	NO					
2312454-4	NO					
2312458-5	NO					
2312459-5	NO					
2312460-6	NO					
2312464-3	NO					
2312465-5	NO					
2312466-2	NO					
2312469-3	NO					
2312475-4	NO					

Part Number	Part Discontinued per PCN	Customer Drawing	Alias Part Number(s)	Substitute Part Number	Substitute Alias Part Number(s)	Description Of Difference
2312476-3	NO					
2312477-2	NO					
2312480-6	NO					
2312481-6	NO					
2312482-2	NO					
2312648-1	NO					
2314208-1	NO					
2314244-1	NO					
2314244-2	NO					
2314245-1	NO					
2314245-2	NO					
2314248-1	NO					
2314566-4	NO					
2314566-5	NO					
2315264-1	NO					
2315264-2	NO					
2315265-1	NO					
2315265-2	NO					
2316001-2	NO					
2316512-1	NO					
2316555-1	NO					
2316765-3	NO					
2316999-1	NO					
2316999-2	NO					
2317356-1	NO					
2317356-2	NO					
2317367-1	NO					
2317367-2	NO					
2317944-2	NO					
2317944-3	NO					
2317944-4	NO					
2318040-1	NO					
2318225-1	NO					
2318725-1	NO					
2318732-3	NO					
2319104-3	NO					
2319104-4	NO					
2320454-2	NO					
2321027-1	NO					
2321028-1	NO					
2321256-1	NO					
2321259-1	NO					
2321262-1	NO					
2321265-2	NO					
2321265-4	NO					
2321266-1	NO					
2321266-2	NO					
2321273-1	NO					
2321392-1	NO					
2321392-2	NO					
2321392-3	NO					
2321393-1	NO					
2321393-2	NO					
2321393-3	NO					
2321396-2	NO					
2321497-1	NO					
2321498-2	NO					
2321501-2	NO					
2321511-3	NO					
2321513-2	NO					
2321697-2	NO					
2321699-2	NO					
2321702-2	NO					
2321703-1	NO					
2321703-2	NO					

Part Number	Part Discontinued per PCN	Customer Drawing	Alias Part Number(s)	Substitute Part Number	Substitute Alias Part Number(s)	Description Of Difference
2321704-3	NO					
2321769-2	NO					
2321769-4	NO					
2321819-3	NO					
2321825-3	NO					
2321844-2	NO					
2321845-3	NO					
2321856-4	NO					
2321857-4	NO					
2321860-2	NO					
2321860-3	NO					
2321862-3	NO					
2321868-2	NO					
2321868-3	NO					
2321869-2	NO					
2321871-1	NO					
2321871-2	NO					
2321875-2	NO					
2322615-1	NO					
2322615-2	NO					
2322616-1	NO					
2322616-2	NO					
2322617-2	NO					
2323660-1	NO					
2323661-1	NO					
2323997-2	NO					
2323997-3	NO					
2324557-2	NO					
2324558-1	NO					
2324559-1	NO					
2324560-1	NO					
2324561-2	NO					
2324627-1	NO					
2324627-2	NO					
2324768-1	NO					
2325176-1	NO					
2325177-1	NO					
2325383-1	NO					
2325425-1	NO					
2325428-1	NO					
2325429-2	NO					
2325430-1	NO					
2325434-1	NO					
2325435-1	NO					
2325436-1	NO					
2325441-2	NO					
2325442-2	NO					
2325446-2	NO					
2325447-1	NO					
2325452-2	NO					
2325453-2	NO					
2325456-1	NO					
2325457-2	NO					
2325613-1	NO					
2325613-2	NO					
2325614-1	NO					
2325614-2	NO					
2325925-1	NO					
2327443-1	NO					
2327904-1	NO					
2327904-2	NO					
2329141-4	NO					
2329155-2	NO					
2329155-3	NO					
2329193-1	NO					

Part Number	Part Discontinued per PCN	Customer Drawing	Alias Part Number(s)	Substitute Part Number	Substitute Alias Part Number(s)	Description Of Difference
2331584-1	NO					
2331584-2	NO					
2331585-1	NO					
2331585-2	NO					
2331586-1	NO					
2331586-2	NO					
2331587-1	NO					
2331587-2	NO					
2332133-1	NO					
2332200-6	NO					
2332200-7	NO					
2333671-1	NO					
2333674-1	NO					
2333675-1	NO					
2334706-1	NO					
2335239-1	NO					
2335903-1	NO					
2337244-1	NO					
2338965-1	NO					
2340018-2	NO					
2340329-1	NO					
2344914-1	NO					
2344915-1	NO					
2344918-1	NO					
2344919-1	NO					
2345511-1	NO					
2345583-2	NO					
2345585-3	NO					
2348242-1	NO					
2348633-1	NO					
2349552-1	NO					
2349574-1	NO					
2350122-1	NO					
2350125-1	NO					
2350129-1	NO					
2350525-1	NO					
2350528-1	NO					
2351439-1	NO					
2351440-1	NO					
2351564-1	NO					
2351708-1	NO					
2351709-1	NO					
2840368-2	NO					
2840838-1	NO					
2840960-1	NO					
2840960-2	NO					
3-1438230-2	NO		"104769A", "E8EB-14474-BF", "E8EB-14474-BFA"			
3-1438230-3	NO		"104770A"			
3-1438230-4	NO		"104767A"			
3-1438230-5	NO		"105926A"			
3-1438231-2	NO		"104657B"			
3-1438231-3	NO					
3-1438245-2	NO		"101902"			
316838-1	NO					
360387-1	NO					
4-1438090-7	NO					
4-1438640-1	NO					
4-1438640-4	NO					
4-1438640-5	NO					
5-1299373-9	NO					
5-1299502-1	NO					
5-1557773-1	NO					
5-1557773-2	NO					
5-1557773-3	NO					

Part Number	Part Discontinued per PCN	Customer Drawing	Alias Part Number(s)	Substitute Part Number	Substitute Alias Part Number(s)	Description Of Difference
5-1557773-5	NO					
5-1557909-1	NO					
5-1557915-1	NO					
5-2237133-1	NO					
5-2237133-2	NO					
5-2237155-1	NO					
5-2237155-2	NO					
5-2304580-1	NO					
5-2311251-1	NO					
5-2311251-5	NO					
5-2311289-1	NO					
5-2311289-2	NO					
5-2311289-3	NO					
5-2312161-1	NO					
5-2312162-1	NO					
5-2317402-1	NO					
5-2317402-2	NO					
5-2317402-4	NO					
5-2317403-1	NO					
5-2317403-2	NO					
5-2324627-1	NO					
5-2324627-2	NO					
5-2324652-1	NO					
5-2324653-1	NO					
5-2325383-1	NO					
5-2325383-2	NO					
5-2325523-2	NO					
5-2325523-3	NO					
5-2339501-2	NO					
5-2339502-1	NO					
5-2344067-2	NO					
6-1438090-7	NO					
638009-1	NO					
638009-5	NO					
638014-1	NO					
638087-1	NO					
638098-1	NO					
638098-7	NO					
638099-1	NO					
638099-7	NO					
638102-1	NO					
638125-3	NO					
638128-2	NO					
638131-2	NO					
638134-3	NO					
638134-4	NO					
638134-5	NO					
638141-1	NO					
638143-1	NO					
638145-1	NO					
638170-6	NO					
638174-1	NO					
638174-2	NO					
638174-3	NO					
638174-4	NO					
638184-6	NO					
638203-1	NO					
638232-1	NO					
638551-1	NO					
638551-2	NO					
638551-3	NO					
638551-4	NO					
638619-1	NO					
638652-1	NO					
638652-2	NO					

Part Number	Part Discontinued per PCN	Customer Drawing	Alias Part Number(s)	Substitute Part Number	Substitute Alias Part Number(s)	Description Of Difference
638652-4	NO					
638662-8	NO					
638946-2	NO					
638977-6	NO					
638979-1	NO					
7-1452665-1	NO					
7-1452665-3	NO					
7-1452671-1	NO					
7-1452671-3	NO					
7-173862-1	NO					
7-173862-6	NO					
770520-1	NO					
770520-3	NO					
770854-1	NO					
770854-3	NO					
773119-4	NO					
776035-5	NO					
776046-4	NO					
776235-1	NO					
776235-4	NO					
776297-1	NO					
776297-2	NO					
776300-1	NO					
776300-2	NO					
776349-1	NO		"820P-37835"			
776349-3	NO		"820P-37462"			
776491-1	NO					
776491-2	NO					
776492-1	NO					
776492-2	NO					
776493-1	NO		"820P-37700"			
776493-2	NO					
776546-1	NO					
776546-5	NO					
776834-3	NO					
776834-4	NO					
776834-5	NO					
776958-1	NO					
9-1438090-6	NO					
9-1438309-1	NO					
9-1438424-2	NO					
9-1438743-6	NO					
9-1438789-2	NO					
9-1438845-1	NO					
9-1456610-2	NO					
9-175976-2	NO					
9-176122-6	NO					
9-1924162-6	NO					
9-1924255-6	NO					
9-2035103-6	NO					
9-2035312-2	NO					
9-638254-2	NO					
9-638258-6	NO					
9-638264-2	NO					
9-638677-1	NO					
9-638699-6	NO					
9-638973-2	NO					
9-776629-6	NO					
9-776633-8	NO					
928999-1	NO		"0-0928999-1", "0-928999-1"			



Product Change Notification

Current Date: 26-Feb-2020

TE Connectivity

Product Change Notification: P-20-018731

PCN Date: 25-FEB-20

TE would like to inform you of the following change(s) to the listed TE Connectivity Product. In case of any further questions about this change(s), please contact your TE Connectivity Sales Engineer. Affected part, drawing and/or specification numbers are listed on the attached sheet(s).

General Product Description:

Multiple Part numbers. Phase 4. Americas Footprint Optimization

Description of Changes

We hereby inform you about a transfer of stamping dies from Burgess Rd. to further improve our Supply Chain towards our customers. The transfer follows a strict procedure, which fully maintains quality, ability to supply and form-fit-function of the concerned products. The receiving manufacturing location operates under a certified quality management system in accordance with standard automotive requirements. These moves will be validated not to affect product fit, form and function, tool geometry, quality performance or the quality management system TE will uphold our responsibility to internally validate and approve these tools among appropriate first article dimensional and capability analysis, comparative 2-sample T-tests before and after moves, before and after CT scans where needed, and PV testing as defined by TE product engineering. TE is willing to provide any such validation data to our customers as our joint non-disclosure agreement statuses allow.

Reason for Changes:

Product improvement. These changes are part of an overall effort from TE to improve our supply chain toward our customers, to focus each plant on core products and processes, and to provide an overall better experience from TE to our customer base. An internal release test based on the relevant part will be executed before delivery and this notification serves to fulfill our notification requirements as prescribed by AIAG 4th edition. This change notification document accompanies a letter sent to your organization on September 13, 2019 signed by our Vice President of Sales and Marketing. Follow up conversations can occur upon request with your sales contact within 15 calendar days after receipt of this PCN. If you have any questions or needs from this move, please contact your sales engineer within 15 days of receipt of this letter. If no response is received on this period, TE will consider this as an approval and tools must move to the new locations.

Estimated Dates:

Last Order Date (Obsolete Parts Only):	First Date To Ship (Changed Parts Only):
	30-SEP-2020
Last Ship Date (Obsolete Parts Only):	Last Date for Mixed Shipments: (Changed Parts Only):
	No Mixed Shipments

Part Number(s) being Modified:

Part Number	Part Discontinued per PCN	Customer Drawing	Alias Part Number(s)	Substitute Part Number	Substitute Alias Part Number(s)	Description Of Difference
1-1326029-1	NO					
1-1326029-2	NO					
1-1326030-0	NO					
1-1326030-1	NO					
1-1326030-2	NO					
1-1437855-6	NO		"104537A", "4661466"			
1-1438238-0	NO		"108918"			
1-1438238-1	NO		"K36AA-F12LBA"			
1-1438640-3	NO					
1-1438640-8	NO					
1-1456336-3	NO					
1-1456336-4	NO					
1-1456336-6	NO					
1-1456968-1	NO					
1-1456968-2	NO					
1-1456968-3	NO					
1-1456968-4	NO					
1-1456968-6	NO					
1-1456968-8	NO					
1-1563842-1	NO					
1-1563842-3	NO					
1-1924415-1	NO					
1-1924415-2	NO					
1-1924468-1	NO					
1-1924468-3	NO					
1-1924955-1	NO					

Part Number	Part Discontinued per PCN	Customer Drawing	Alias Part Number(s)	Substitute Part Number	Substitute Alias Part Number(s)	Description Of Difference
1-1924955-2	NO					
1-1924955-3	NO					
1-1924955-4	NO					
1-1924955-6	NO					
1-1924955-7	NO					
1-1924955-8	NO					
1-2103171-2	NO					
1-2138699-1	NO					
1-2138699-2	NO					
1-2138699-4	NO					
1-2203270-0	NO					
1-2288241-1	NO					
1-2288242-1	NO					
1-2840750-1	NO					
1-773119-8	NO					
1-776546-1	NO					
1-929278-2	NO					
1326017-1	NO					
1326017-9	NO					
1326028-1	NO					
1326028-2	NO					
1326028-3	NO					
1326028-4	NO					
1326028-5	NO					
1326028-6	NO					
1326030-1	NO					
1326030-2	NO					
1326030-3	NO					
1326030-4	NO					
1326030-5	NO					
1326030-6	NO					
1326030-7	NO					
1326030-8	NO					
1326030-9	NO					
1437284-9	NO		"13002630101"			
1438088-2	NO					
1438234-3	NO		"G38BA-F111BA"			
1438234-6	NO		"102186"			
1438235-2	NO		"103437", "109569"			
1438238-2	NO		"K36AA-K12HBA"			
1438238-6	NO		"K36AA-P12LBA"			
1438238-8	NO		"101793"			
1438238-9	NO		"101794"			
1438240-1	NO		"105825A"			
1438244-2	NO		"N36CA-F174AA"			
1438250-4	NO		"N36AA-P125BA"			
1438250-5	NO		"105084"			
1438255-1	NO		"B65BA-M630A0"			
1438255-2	NO		"B65BA-K630A0"			
1438256-1	NO		"B65AA-W637A0"			
1438256-2	NO		"B65AA-N637A0"			
1438275-1	NO					
1438316-1	NO					
1438387-1	NO					
1438442-4	NO					
1438483-1	NO					
1438486-1	NO					
1438543-1	NO					
1438543-2	NO					
1438543-4	NO					
1438680-1	NO					
1448779-2	NO					
1454333-8	NO		"107411"			
1456004-1	NO					
1456004-2	NO					

Part Number	Part Discontinued per PCN	Customer Drawing	Alias Part Number(s)	Substitute Part Number	Substitute Alias Part Number(s)	Description Of Difference
1456598-1	NO					
1456630-1	NO					
1456630-2	NO					
1456777-3	NO					
1456897-2	NO					
1456897-5	NO					
1456968-1	NO					
1456968-2	NO					
1456968-3	NO					
1456968-4	NO					
1456968-6	NO					
1456968-8	NO					
1488642-6	NO					
1488642-7	NO					
1488642-8	NO					
1488642-9	NO					
1488657-1	NO					
1488657-2	NO					
1534594-1	NO					
1534594-3	NO					
1534768-1	NO					
1534768-4	NO					
1557079-2	NO					
1557079-3	NO					
1557084-1	NO					
1557085-1	NO					
1557086-1	NO					
1557104-1	NO					
1557105-1	NO					
1557126-2	NO					
1557127-2	NO					
1557270-3	NO					
1557271-4	NO					
1557271-7	NO					
1557311-5	NO					
1557312-1	NO					
1557435-2	NO					
1557463-3	NO					
1557485-3	NO					
1557485-4	NO					
1557510-1	NO					
1557546-1	NO					
1557551-2	NO					
1557555-2	NO					
1557556-2	NO					
1557566-1	NO					
1557566-2	NO					
1557567-1	NO					
1557567-3	NO					
1557577-5	NO					
1557578-3	NO					
1557603-3	NO					
1557616-2	NO					
1557617-2	NO					
1557617-3	NO					
1557634-1	NO					
1557639-4	NO					
1557648-1	NO					
1557649-1	NO					
1557651-1	NO					
1557663-1	NO					
1557674-3	NO					
1557674-4	NO					
1557678-1	NO					
1557693-3	NO					

Part Number	Part Discontinued per PCN	Customer Drawing	Alias Part Number(s)	Substitute Part Number	Substitute Alias Part Number(s)	Description Of Difference
1557702-1	NO					
1557708-2	NO					
1557722-2	NO					
1557764-2	NO					
1557764-3	NO					
1557764-4	NO					
1557764-5	NO					
1557787-1	NO					
1557801-1	NO					
1557801-2	NO					
1557801-3	NO					
1557801-4	NO					
1557812-3	NO					
1557827-2	NO					
1557837-1	NO					
1557837-2	NO					
1557837-3	NO					
1557839-1	NO					
1557853-4	NO					
1557853-5	NO					
1557853-6	NO					
1557882-1	NO					
1557882-2	NO					
1557882-3	NO					
1557883-1	NO					
1557883-2	NO					
1557883-3	NO					
1557886-2	NO					
1557886-4	NO					
1557886-5	NO					
1557887-2	NO					
1557887-4	NO					
1557887-5	NO					
1557891-2	NO					
1557891-3	NO					
1557952-3	NO					
1557989-2	NO					
1587392-7	NO					
1587392-8	NO					
1587718-1	NO					
1587724-1	NO					
1587724-2	NO					
1587724-3	NO					
1587828-1	NO					
1587828-2	NO					
1587828-3	NO					
1587829-1	NO					
1587829-2	NO					
1587829-3	NO					
1642404-3	NO					
1642524-3	NO					
1642642-2	NO					
1719958-1	NO					
1732230-2	NO					
1732230-3	NO					
1732434-3	NO					
1732452-4	NO					
1732621-2	NO					
1732624-2	NO					
1732631-1	NO					
1732724-1	NO					
1732752-1	NO					
1732789-2	NO					
1732821-1	NO					
1732821-3	NO					

Part Number	Part Discontinued per PCN	Customer Drawing	Alias Part Number(s)	Substitute Part Number	Substitute Alias Part Number(s)	Description Of Difference
1732882-2	NO					
1732893-3	NO					
1732893-4	NO					
1732967-1	NO					
1732967-2	NO					
1732993-1	NO					
1732998-2	NO					
173630-1	NO		"0-0173630-1"			
173645-1	NO					
173683-2	NO					
173856-1	NO					
174053-2	NO					
1747732-1	NO					
174917-6	NO					
174973-2	NO					
175268-1	NO					
175444-1	NO		"0-0175444-1"			
175444-6	NO					
175444-9	NO					
175976-2	NO					
176122-6	NO					
1801828-1	NO					
1801829-1	NO					
1832036-2	NO					
1832322-1	NO					
1832353-2	NO					
1832487-2	NO					
1832488-2	NO					
1832766-4	NO					
1832805-1	NO					
1832875-1	NO					
1832891-2	NO					
184030-1	NO					
184030-3	NO		"TL003"			
184289-1	NO					
184289-3	NO					
1924227-2	NO					
1924456-1	NO					
1924463-1	NO		8202612467, BACA-AMP-218			
1924463-3	NO					
1924686-1	NO					
1924878-1	NO					
1924878-2	NO					
1924903-1	NO					
1927688-3	NO					
2-174053-2	NO					
2-2138019-4	NO					
2-773119-1	NO					
2035040-1	NO					
2035040-2	NO					
2035040-3	NO					
2035335-1	NO					
2098032-3	NO					
2098251-1	NO					
2098251-2	NO					
2098252-1	NO					
2098252-3	NO					
2098338-5	NO					
2098338-6	NO					
2098339-5	NO					
2098339-6	NO					
2098762-1	NO					
2098762-2	NO					
2098762-3	NO					

Part Number	Part Discontinued per PCN	Customer Drawing	Alias Part Number(s)	Substitute Part Number	Substitute Alias Part Number(s)	Description Of Difference
2098762-4	NO					
2098762-5	NO					
2098762-6	NO					
2098762-8	NO					
2098978-1	NO					
2103026-1	NO					
2103027-1	NO					
2103157-1	NO					
2103388-1	NO					
2103741-2	NO					
2103741-3	NO					
212868-1	NO					
212868-2	NO					
2138020-1	NO					
2138020-2	NO					
2138020-3	NO					
2138020-4	NO					
2138020-5	NO					
2138020-6	NO					
2138020-8	NO					
2138020-9	NO					
2138146-1	NO					
2138597-1	NO					
2138597-2	NO					
2138597-3	NO					
2141824-1	NO					
2237010-1	NO					
2247003-2	NO					
2247003-3	NO					
2247007-1	NO					
2247030-1	NO					
2247037-2	NO					
2247048-1	NO					
2247064-1	NO					
2247076-2	NO					
2247102-1	NO					
2247202-2	NO					
2247202-3	NO					
2247398-1	NO					
2272170-1	NO					
2272170-2	NO					
2272170-4	NO					
2272170-5	NO					
2272170-6	NO					
2272196-1	NO					
2272196-2	NO					
2272230-1	NO					
2272230-2	NO					
2272230-3	NO					
2272248-1	NO					
2272404-1	NO					
2272404-2	NO					
2272408-4	NO					
2272409-1	NO					
2288045-1	NO					
2288243-2	NO					
2294612-1	NO					
2299041-1	NO					
2299156-1	NO					
2299156-2	NO					
2299156-3	NO					
2304851-2	NO					
2304851-3	NO					
2304851-4	NO					
2304851-5	NO					

Part Number	Part Discontinued per PCN	Customer Drawing	Alias Part Number(s)	Substitute Part Number	Substitute Alias Part Number(s)	Description Of Difference
2305344-3	NO					
2306033-3	NO					
2306039-1	NO					
2306883-1	NO					
2306884-1	NO					
2307561-3	NO					
2307561-4	NO					
2307655-1	NO					
2307655-2	NO					
2308552-1	NO					
2309266-1	NO					
2309270-1	NO					
2309341-1	NO					
2309386-1	NO					
2309723-2	NO					
2309723-3	NO					
2309999-1	NO					
2310292-1	NO					
2311563-1	NO					
2311563-2	NO					
2311564-1	NO					
2312163-1	NO					
2312462-3	NO					
2312473-5	NO					
2312474-5	NO					
2312478-6	NO					
2312479-6	NO					
2312483-3	NO					
2314243-1	NO					
2314246-1	NO					
2314247-1	NO					
2315359-1	NO					
2315494-1	NO					
2316023-1	NO					
2316310-1	NO					
2316310-2	NO					
2316982-1	NO					
2317402-1	NO					
2317403-1	NO					
2317943-2	NO					
2317943-4	NO					
2317943-5	NO					
2318039-1	NO					
2318041-1	NO					
2318042-1	NO					
2318053-1	NO					
2318726-1	NO					
2318727-1	NO					
2318730-2	NO					
2319098-2	NO					
2319107-1	NO					
2320447-1	NO					
2320476-2	NO					
2321215-2	NO					
2321268-2	NO					
2321395-1	NO					
2321499-2	NO					
2321508-2	NO					
2321510-2	NO					
2321574-2	NO					
2321698-2	NO					
2321700-2	NO					
2321701-2	NO					
2321705-3	NO					
2321766-1	NO					

Part Number	Part Discontinued per PCN	Customer Drawing	Alias Part Number(s)	Substitute Part Number	Substitute Alias Part Number(s)	Description Of Difference
2321823-3	NO					
2321824-3	NO					
2321830-2	NO					
2321842-2	NO					
2321847-2	NO					
2321847-3	NO					
2321848-2	NO					
2321848-3	NO					
2321858-3	NO					
2321858-4	NO					
2321864-1	NO					
2321864-2	NO					
2321865-2	NO					
2321865-3	NO					
2321876-2	NO					
2321982-1	NO					
2321982-2	NO					
2321982-3	NO					
2323723-1	NO					
2323769-1	NO					
2323771-2	NO					
2323835-1	NO					
2323995-2	NO					
2324652-1	NO					
2324653-1	NO					
2324654-1	NO					
2324654-3	NO					
2324767-2	NO					
2324767-3	NO					
2325178-1	NO					
2325179-1	NO					
2325263-1	NO					
2325422-1	NO					
2325433-2	NO					
2325440-2	NO					
2325444-2	NO					
2325448-1	NO					
2325449-1	NO					
2325450-1	NO					
2325451-2	NO					
2325454-1	NO					
2325455-1	NO					
2325611-1	NO					
2325611-2	NO					
2325612-1	NO					
2325612-2	NO					
2325612-3	NO					
2325615-1	NO					
2325615-2	NO					
2325615-3	NO					
2325616-1	NO					
2325616-2	NO					
2325673-3	NO					
2327150-2	NO					
2327604-2	NO					
2327611-1	NO					
2327611-2	NO					
2327691-2	NO					
2329119-3	NO					
2329515-2	NO					
2331524-1	NO					
2331582-1	NO					
2331582-2	NO					
2331588-1	NO					
2331588-2	NO					

Part Number	Part Discontinued per PCN	Customer Drawing	Alias Part Number(s)	Substitute Part Number	Substitute Alias Part Number(s)	Description Of Difference
2333567-1	NO					
2333672-1	NO					
2333673-1	NO					
2334629-1	NO					
2334630-1	NO					
2334704-1	NO					
2334705-1	NO					
2335902-1	NO					
2335902-2	NO					
2339949-1	NO					
2339949-2	NO					
2339949-3	NO					
2340327-1	NO					
2344067-2	NO					
2344068-2	NO					
2344917-1	NO					
2344926-1	NO					
2348061-1	NO					
2348609-1	NO					
2348609-3	NO					
2349020-1	NO					
2349320-1	NO					
2350526-1	NO					
2350527-1	NO					
2350657-1	NO					
2350940-1	NO					
2352297-1	NO					
2354451-1	NO					
2356047-1	NO					
2356237-1	NO					
2840750-1	NO					
2840837-1	NO					
3-1419158-1	NO					
3-1438233-1	NO		"102582"			
3-1438233-2	NO		"102583"			
3-1438640-1	NO					
3-1438640-2	NO					
3-1438640-3	NO					
3-1438640-4	NO					
3-1438640-5	NO					
3-1438640-7	NO					
3-1438640-8	NO					
3-1438640-9	NO					
3-1924672-4	NO					
3-1924672-7	NO					
3-2138020-1	NO					
3-2138020-2	NO					
3-2138020-4	NO					
316836-1	NO		"0-0316836-1"			
5-1299505-1	NO					
5-1299505-2	NO					
5-1299505-3	NO					
5-1299505-4	NO					
5-1557774-1	NO					
5-1557774-3	NO					
5-1557774-4	NO					
5-1557774-5	NO					
5-1557774-7	NO					
5-1557802-1	NO					
5-1557803-1	NO					
5-1557910-1	NO					
5-1557910-2	NO					
5-1557911-1	NO					
5-1557921-1	NO					
5-1557922-1	NO					

Part Number	Part Discontinued per PCN	Customer Drawing	Alias Part Number(s)	Substitute Part Number	Substitute Alias Part Number(s)	Description Of Difference
5-1924670-0	NO					
5-2237135-1	NO					
5-2324654-1	NO					
5-2324654-3	NO					
5-2325384-2	NO					
5-2325384-3	NO					
5-2325385-2	NO					
5-2325385-3	NO					
5-2325391-1	NO					
5-2325392-2	NO					
5-2325392-4	NO					
5-2344068-2	NO					
5-928999-1	NO					
5-963715-1	NO					
6-1299373-1	NO					
6-1299373-2	NO					
6-1299373-3	NO					
638078-1	NO					
638078-3	NO					
638085-1	NO					
638097-2	NO					
638112-1	NO					
638112-2	NO					
638112-3	NO					
638137-1	NO					
638187-1	NO					
638187-2	NO					
638187-3	NO					
638187-4	NO					
638204-2	NO					
638258-6	NO					
638286-1	NO					
638601-1	NO					
638623-8	NO					
638623-9	NO					
66773-2	NO					
66773-3	NO					
7-1452668-1	NO					
7-1452668-3	NO					
770380-2	NO					
770444-1	NO					
770589-1	NO					
773119-1	NO					
776014-1	NO					
776033-1	NO					
776033-7	NO					
776061-1	NO					
776129-2	NO					
776129-6	NO					
776181-1	NO					
776197-1	NO					
776298-1	NO					
776298-2	NO					
776299-1	NO					
776299-2	NO					
776326-4	NO					
776671-1	NO					
776685-3	NO					
776690-2	NO					
776887-2	NO					
776887-3	NO					
776887-5	NO					
8-1419157-9	NO		"V23542-G2164-L202"			
9-1438313-2	NO					
9-1438772-6	NO					

Part Number	Part Discontinued per PCN	Customer Drawing	Alias Part Number(s)	Substitute Part Number	Substitute Alias Part Number(s)	Description Of Difference
9-1924089-6	NO					
9-2035371-6	NO					
9-2035587-6	NO					
9-2138202-6	NO					
9-638230-2	NO					
9-638256-2	NO					
9-638266-1	NO					
9-638608-2	NO					
9-776203-2	NO					
9-776631-2	NO					
9-776635-1	NO					
927784-2	NO		"0-0927784-2"			
963715-1	NO					



Section 3

Customer Engineering Approval



ENGINEERING SAMPLE EVALUATION REPORT

PART NAME:
TRMNL WIR SNP ON MLE

PART NO.: See table below in "Change Details"

SUBMITTED BY: Wayne Wellinsky

CURRENT MANUFACTURING SITE:
233 Burgess road, Greensboro, NC

FUTURE MANUFACTURING SITE:
719 Pegg road, Greensboro, NC

TOOL MOVE:

PROCESS CHANGE:

X

MATERIAL/MATERIAL SUPPLIER CHANGE:

CAPACITY TOOL:

SUPPLIER: TE Connectivity

DATE SUBMITTED: 8/25/20

MADE TO DRAWING DATED:
1L2T-14421-AA
AELE-E-12625180-314
20160120

CHANGE DETAILS: Greensboro Consolidation
As part of the Greensboro Consolidation, TE is moving the die PN 571318 from Burgess Road, Greensboro, NC to Pegg Road, Greensboro, NC

Ford Part Number	TE Part Number (Parent)	Component	Mold/Die Number
1L2T-14421-AA	1438299-4 / 2-1419158-5	NA	571318
1L2T-14421-BA	1438299-2 / 1-1419158-6	NA	571318
1L2T-14421-CA	1438299-3 / 2-1419158-3	NA	571318
1L2T-14421-DA	1438299-1 / 3-1419158-1	NA	571318

APPROVED:

<input checked="" type="checkbox"/>

REJECTED:

PRODUCT ENGINEERING SIGNATURE*:

DATE: Sep 2, 2020

IDENTIFY WITH **REMARKS AFFECTING PRODUCT ENGINEERING CRITICAL REQUIREMENTS**

*By signing this document, you state that you have verified the physical part/s with the drawing/s and agree with key dimensional data, notes and appearance.



Section 4

Design FMEA

See Section A for nondisclosure conditions.

The Design FMEA, if included, is a Class II confidential document belonging to TE Connectivity. A class II document may not be further distributed and is subject to the conditions of the nondisclosure agreement.



Section 5

Process Flow Diagram

See Section A for nondisclosure conditions.

The Process Flow Diagram, if included, is a Class II confidential document belonging to TE Connectivity. A class II document may not be further distributed and is subject to the conditions of the nondisclosure agreement.



Section 6

Process FMEA

See Section A for nondisclosure conditions.

The Process FMEA, if included, is a Class II confidential document belonging to TE Connectivity. A class II document may not be further distributed and is subject to the conditions of the nondisclosure agreement.



Section 7

Control Plan

See Section A for nondisclosure conditions.
The Control Plan, if included, is a Class II confidential document belonging to TE Connectivity. A class II document may not be further distributed and is subject to the conditions of the nondisclosure agreement.

Section 8

Measurement System Analysis

Section 9

Dimensional Results

Production Part Approval Dimensional Test Results



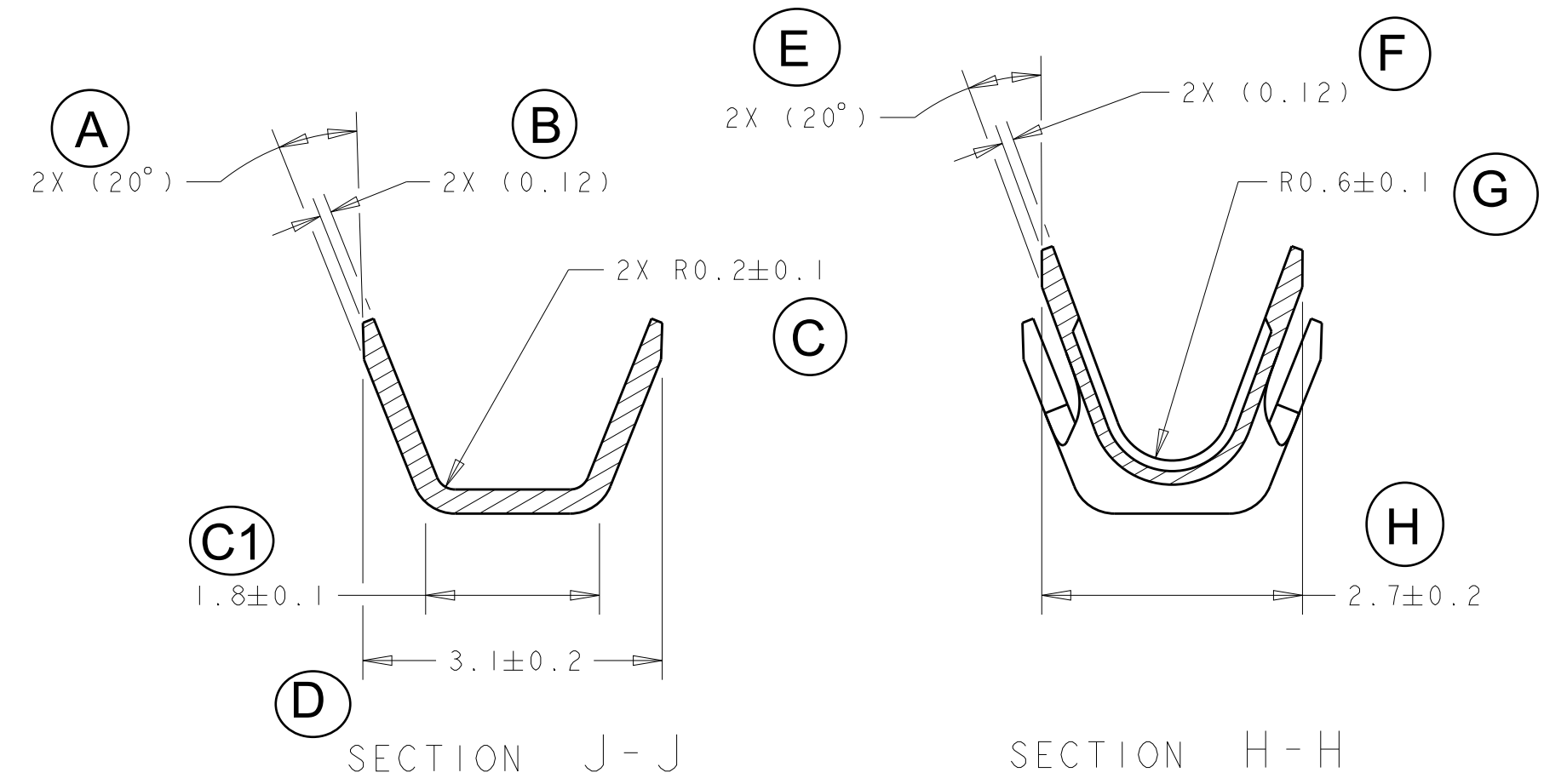
ORGANIZATION: TE Connectivity SUPPLIER / VENDOR CODE J6DRY	PART NUMBER: 1438299-4 (2-1419158-5) PART NAME: 0.64mm GET MALE IN-LINE
INSPECTION FACILITY: TE Connectivity (W-S, NC)	DESIGN RECORD CHANGE LEVEL: F3 ENGINEERING CHANGE DOCUMENTS: ECO-15-017989

ITEM	DIMENSION / SPECIFICATION	SPECIFICATION / LIMITS	TEST DATE	QTY. TESTED	ORGANIZATION MEASUREMENT RESULTS (DATA)			OK	NOT OK
A	20 REF (2 PLACES)	20 REF	9/21/2020	2	20° / 20°		20° / 20°	X	
B	0.12 REF (2 PLACES)	0.12 REF	9/21/2020	2	0.94 / 0.065		0.085 / 0.078	X	
C	0.2+/-0.1	0.1-0.3	9/21/2020	2	0.210 / 0.210		0.210 / 0.210	X	
CI	1.8+/-0.1	1.7-1.9	9/21/2020	2	1.735		1.762	X	
D	3.1+/-0.2	2.9-3.3	9/21/2020	2	3.040		3.022	X	
E	20 REF (2 PLACES)	20 REF	9/21/2020	2	20° / 20°		20° / 20°	X	
F	0.12 REF (2 PLACES)	0.12 REF	9/21/2020	2	0.108 / 0.08		0.091 / 0.083	X	
G	0.6+/-0.1	0.5-0.7	9/21/2020	2	0.606		0.606	X	
H	2.7+/-0.2	2.5-2.9	9/21/2020	2	2.719		2.701	X	
J	1.00+/-0.05	0.95-1.05	9/21/2020	2	1.011		0.991	X	
K	2 MAX.	2 MAX	9/21/2020	2	1.899		1.909	X	
L	5.00+0.3/-0	5.00-5.30	9/21/2020	2	5.007		5.009	X	
M	8.00+/-0.05	7.95-8.05	9/21/2020	2	7.997		8.001	X	
N	1.62+/-0.1	1.52-1.72	9/21/2020	2	1.567		1.610	X	
P	11.20+/-0.1	11.10-11.30	9/21/2020	2	11.232		11.233	X	
Q	2.50+/-0.1	2.4-2.6	9/21/2020	2	2.501		2.496	X	
R	1.62+/-0.05	1.57-1.67	9/21/2020	2	1.650		1.634	X	
S	1.60+/-0.2	1.40-1.80	9/21/2020	2	1.576		1.541	X	
T	6.00+/-0.15	5.85-6.15	9/21/2020	2	5.973		5.987	X	
U	1.30+/-0.1	1.2-1.4	9/21/2020	2	1.317		1.291	X	
V	1.70+/-0.1	1.60-1.80	9/21/2020	2	1.663		1.675	X	
W	24.45+/-0.25	24.20-24.70	9/21/2020	2	24.340		24.390	X	
X	2.10+/-0.1	2.00-2.20	9/21/2020	2	2.060		2.035	X	
Y	0.64+/-0.02	0.62-0.66	9/21/2020	2	0.652		0.644	X	
Z	0.50+/-0.05	0.45-0.55	9/21/2020	2	0.526		0.530	X	
AA	1.25+/-0.2	1.05-1.45	9/21/2020	2	1.298		1.297	X	
AB	3.20+/-0.2	3.00-3.40	9/21/2020	2	3.204		3.219	X	

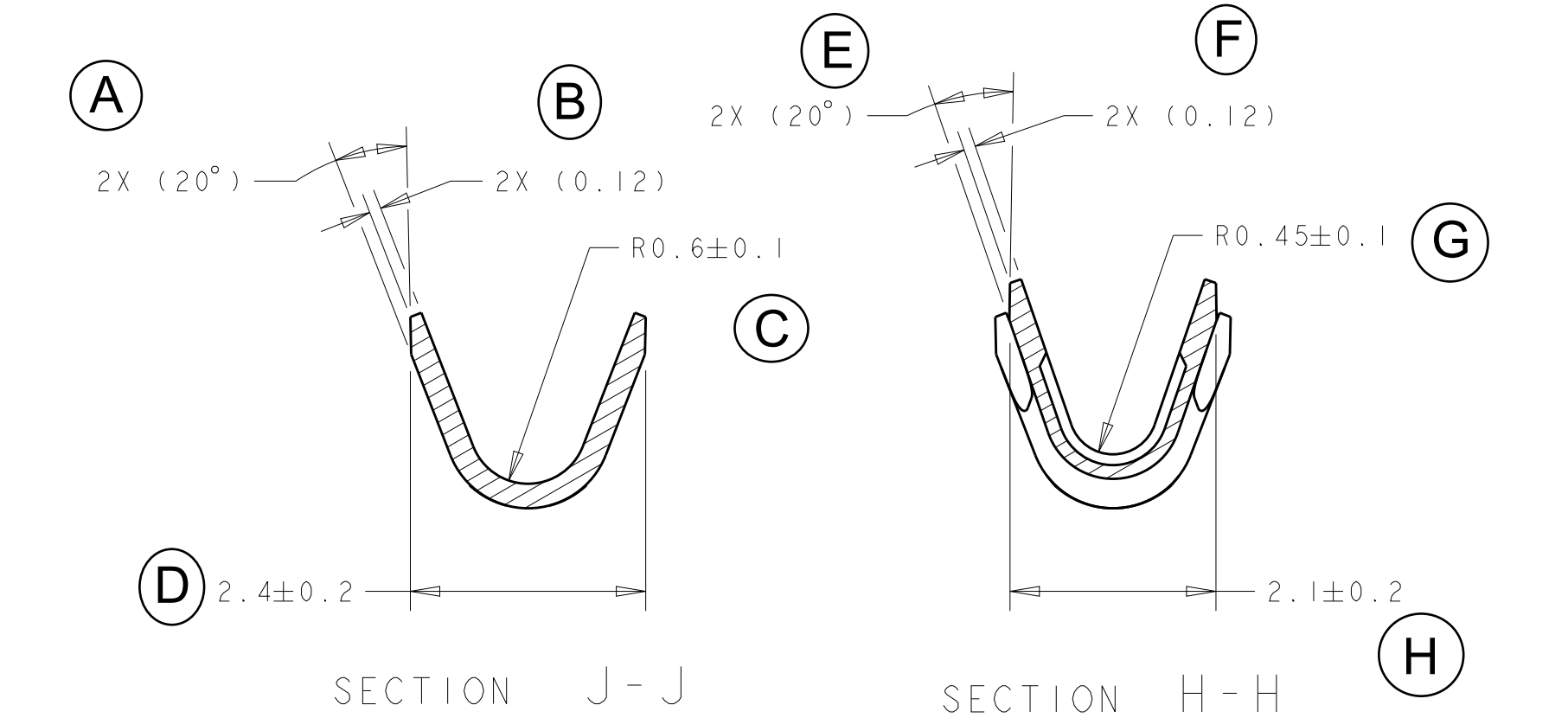
Blanket statements of conformance are unacceptable for any test results.

SIGNATURE <i>Wayne Wellinsky</i>	TITLE PRODUCT ENGINEER	DATE 9/21/2020
-------------------------------------	---------------------------	-------------------

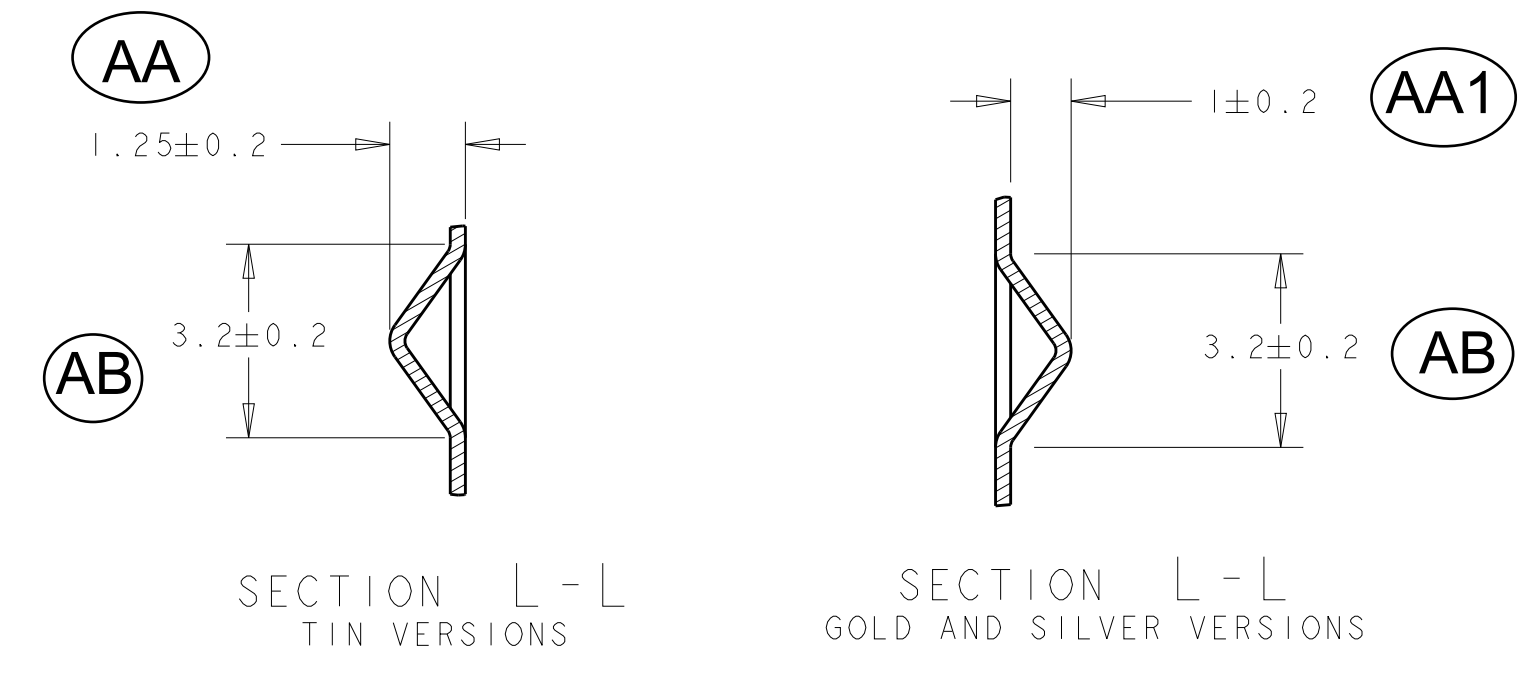
REVISIONS				
REV	DATE	DESCRIPTION	BY	CHKD
F1	11MAR2011	REVISED PER ECO-11-005030	RK	HMR
F2	09JUL2015	REVISED PER ECO-15-010152	DLD	WTW
F3	16DEC2015	REVISED PER ECO-15-017989	DLD	WTW



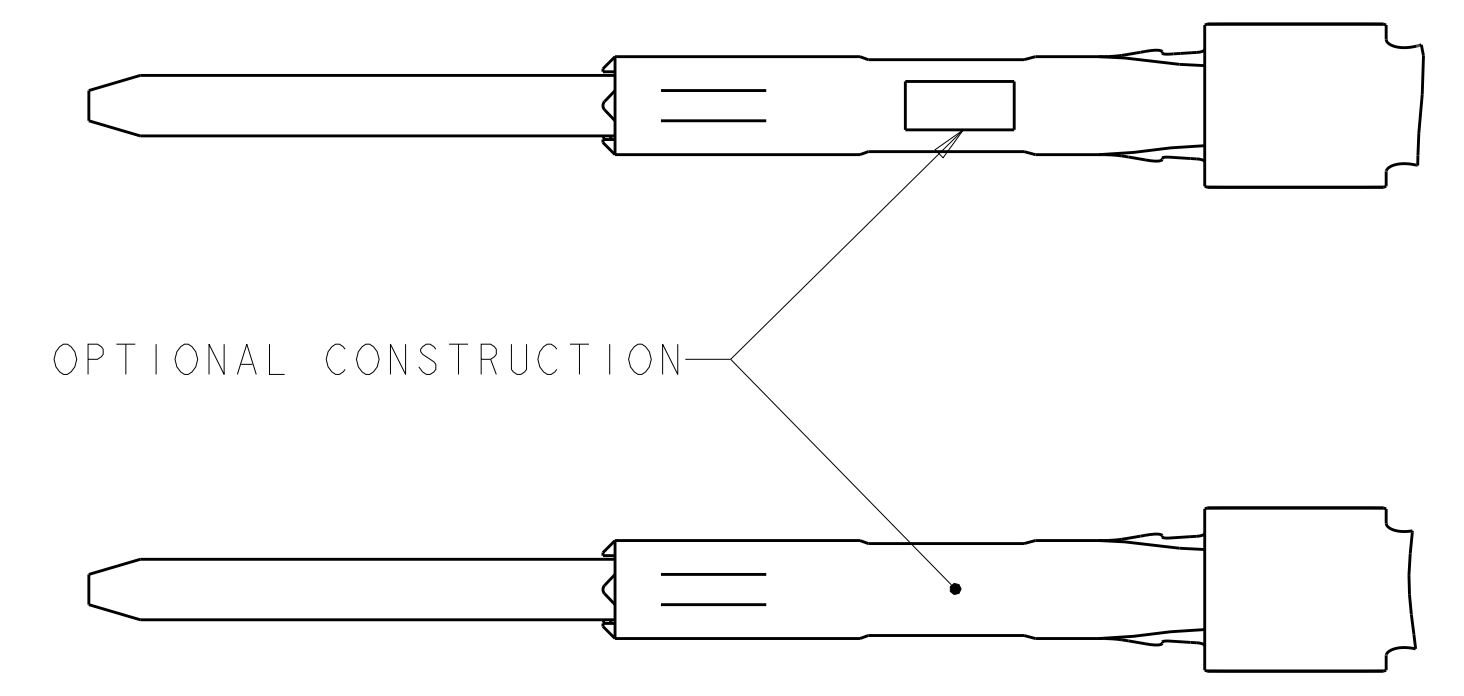
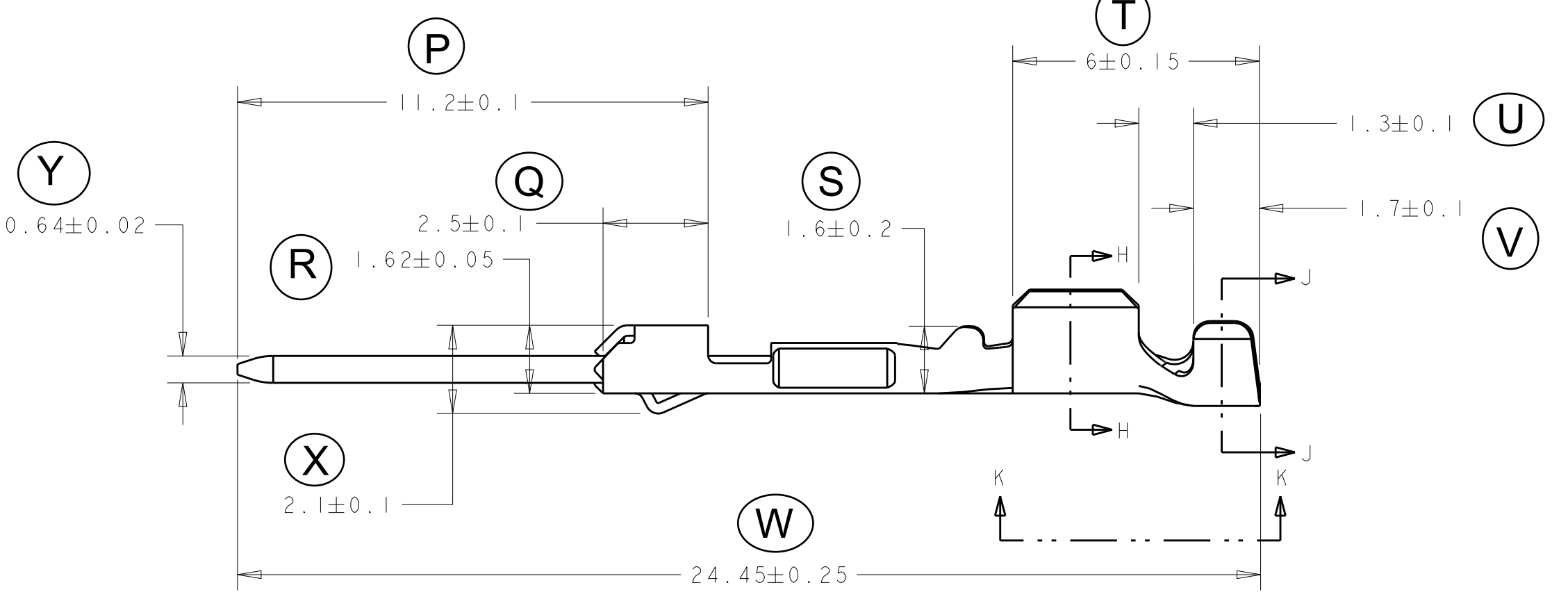
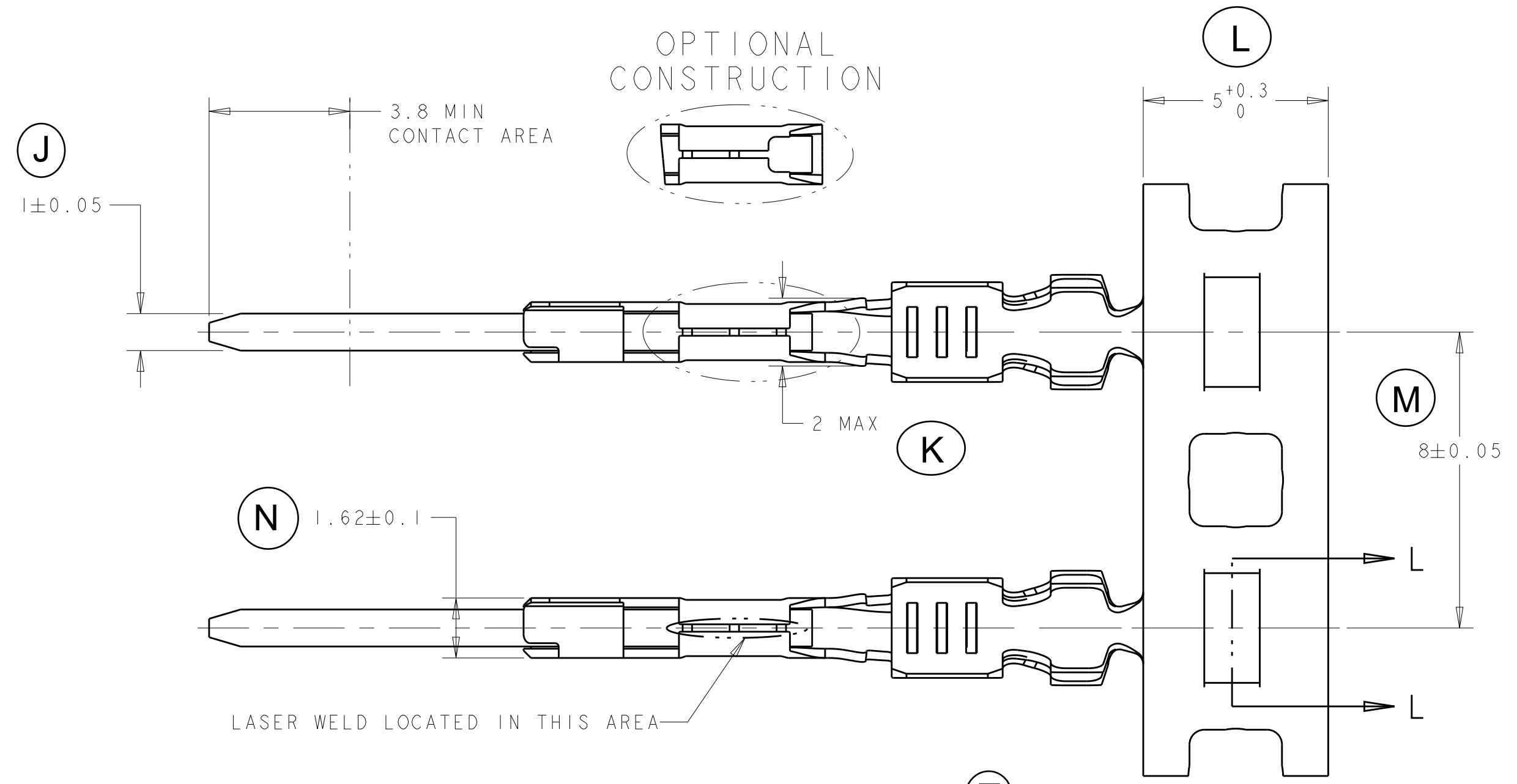
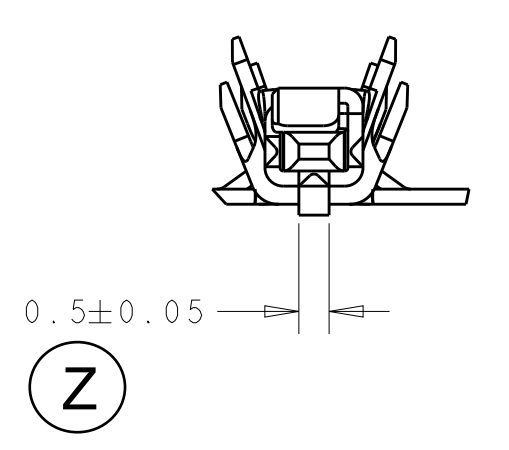
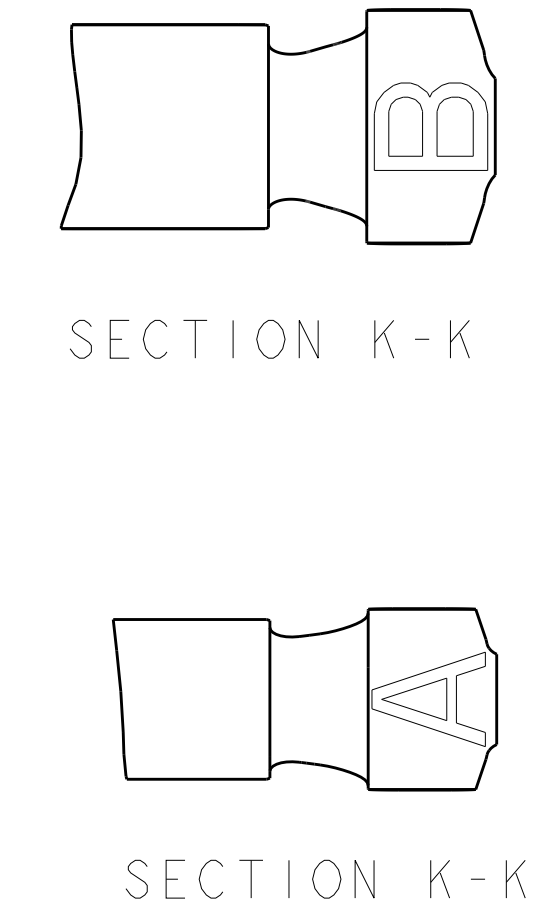
CRIMP B
WIRE CRIMP AREAS



CRIMP A
WIRE CRIMP AREAS

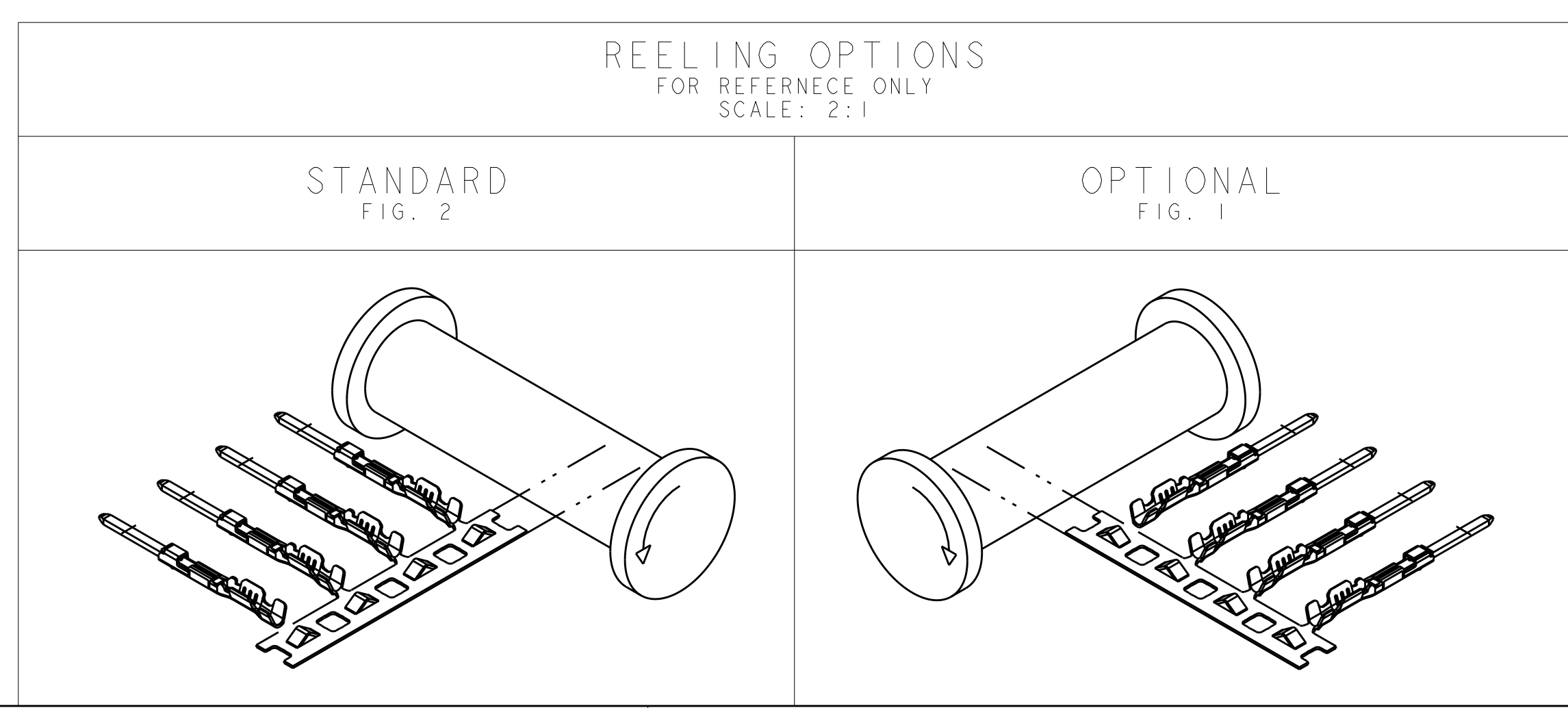


SECTION L-L
TIN VERSIONS
SECTION L-L
GOLD AND SILVER VERSIONS



- MATERIAL:
CRIMP: COPPER ALLOY, MATERIAL THICKNESS = 0.25±0.01
PIN: COPPER ALLOY, MATERIAL THICKNESS = 0.64±0.01
MATERIAL WIDTH = 1.00±0.01
- MUST BE FREE OF CRACKS AND BURRS THAT AFFECT FUNCTION.
- WHEN A TIN/GOLD PLATED TERMINAL IS USED ON THE MALE SIDE THEN THE CORRESPONDING PLATING (TIN OR GOLD) MUST BE USED ON THE FEMALE TERMINAL.
- 0.2 MM MAX RADIUS PERMISSIBLE ON EDGES AND FILLETS SHOWN AS SHARP FOR STAMPING PARTS.
- GENERAL TOLERANCES:
.X = ±0.3
.XX = ±0.1
ANGLES = ±3°
- CRIMP SPECIFICATION : 114-13060.
- PLATE: >= 0.8µm Au IN CONTACT AREA OVER NICKEL.
- PLATE 2-4µm SILVER IN CONTACT AREA OVER NICKEL.
- FOR SILVER PLATING: ELECTRICAL PERFORMANCE IS NOT AFFECTED BY GRAY, BROWN OR BLACK TARNISH ON THE SILVER PLATING SURFACES. ACCEPTABLE SILVER SURFACES CAN INCLUDE GRAY, BROWN OR BLACK TARNISH.

PART NO	WIRE CRIMP CODING	CONDUCTOR WIRE SIZE	REELING	PLATING SPEC.
1-1438299-1	B	0.50/0.75	FIG. 1	SILVER
1-1438299-0	A	0.22/0.35	FIG. 1	SILVER
1438299-8	B	0.50/0.75	FIG. 2	SILVER
1438299-7	A	0.22/0.35	FIG. 2	SILVER
1438299-4	B	0.50/0.75	FIG. 1	TIN
1438299-3	B	0.50/0.75	FIG. 1	GOLD
1438299-2	A	0.22/0.35	FIG. 1	TIN
1438299-1	A	0.22/0.35	FIG. 1	GOLD
2-1419158-5	B	0.50/0.75	FIG. 2	TIN
2-1419158-3	B	0.50/0.75	FIG. 2	GOLD
1-1419158-6	A	0.22/0.35	FIG. 2	TIN
3-1419158-1	A	0.22/0.35	FIG. 2	GOLD



THIS DRAWING IS A CONTROLLED DOCUMENT.		OWN: DL DRUMMOND 22JAN2004	3-1419158-1	
DIMENSIONS: mm		CHK: WT WELLINSKY 23JAN2004	PART NUMBER	
TOLERANCES UNLESS OTHERWISE SPECIFIED:		APVD: WT WELLINSKY 23JAN2004	TE Connectivity	
0 PLC ±		NAME: WT WELLINSKY	0.64mm GET MALE IN-LINE TERMINAL	
1 PLC ±		PRODUCT SPEC:	-	
2 PLC ±		APPLICATION SPEC:	-	
3 PLC ±		SEE NOTES	-	
4 PLC ±		WEIGHT:	-	
FINISH:		CUSTOMER DRAWING	-	
MATERIAL:		SIZE: A100779	CAGE CODE: C=3-1419158-1	
RESTRICTED TO:		SCALE: 8:1	SHEET 1 OF 1	
REV F3				



Section 10

Material, Performance Test Results



FISK ALLOY WIRE, INC.

P.O. Box 26 • 10 Thomas Road N. • Hawthorne, NJ 07507 U.S.A.
Tel: +19738258500 Fax: +19738258501 Web: www.fiskalloy.com

PRODUCT CERTIFICATION

WORK ORDER
401615
SALES ORDER
W-047877

SOLD TO:
**TE Connectivity
Accounts Payable 38-55
PO Box 68355
Harrisburg, PA 17106
USA**

SHIP TO
**Tyco Electronics
8000 Piedmont Triad Pkwy
Bldg 271
Greensboro, NC 27409
USA
Attn: QA Dept**

CUSTOMER P.O.	CUSTOMER PART	QUANTITY	SPOOLS	LADING NO	SHIPMENT DATE
US35594735	705044-5 Rev. F	3,453.00 Lbs	8	00103264	05/22/2020

PART NUMBER: **W0394-425-T001** DESCRIPTION: **.0252-425-85.000/100.000-SP-P22x11x5-F-440.00**

Chemical Composition:

Copper 87.0 - 90.0%
Tin 1.50 - 3.00%
Phosphorus 0.35% max.
Iron 0.05% max.
Lead 0.05% max.

1 (K)
0960 NCCP ✓
Rev. H
(LB)

Fisk Alloy, Inc. certifies that representative samples of this shipment have been inspected in accordance with established testing procedures and methods. The inspection records for this shipment are on file and warrant that this shipment is in conformance with the quality specified and in compliance with the applicable specifications. Fisk Alloy, Inc. is ISO9001:2015 and AS9100D certified. For further inquiries, please contact quality@fiskalloy.com, or call +19738258500.



**DELIVERY NOTE / PACKING LIST
/ CERTIFICATE OF CONFORMANCE**

Page 2 / 2
Shipment No. 4105200338
Customer no. 99995702
Mode of transport TRUCK
Document date 21-May-2020
Carrier No. 198969
Incoterms FCA SHIPPING POINT
Priority : Normal

EXPORTER / SHIPPER:
TE Connectivity Corporation
PA Distribution Center
1311 S. Market St
Mechanicsburg PA 17055
USA
EIN : 230332575



99995702

Invoice address
Customer Number 99995702

TE Connectivity Corporation
TE Greensboro plant (STO)
719 Pegg Road
GREENSBORO 27409
USA

SELLER :
TE Connectivity Corporation
2901 Fulling Mill Road
Middletown PA 17057
USA

Ship To
Customer Number 99995702

TE Connectivity Corporation
TE North Carolina DC Components
8000 Piedmont Triad Pkwy
GREENSBORO NC 27409
USA

Carrier Old Dominion Freight Line Inc / Less than Truckload

Delivery note No./Item No. Our order/item No.	Our material number Your material number	Revision Level Cust Rev.	Our material description Commodity code Batch	Country of origin	Your order/item No.	Number of inner boxes	Net weight	Quantity shipped
--	---	-----------------------------	--	-------------------	---------------------	--------------------------	------------	---------------------

Purchase Order Summary

Your Order	Quantity Order	Delivery	Material Number	Total Units	Total Packages
	642.000 LB		702753-8	642.000 LB	1

CERTIFICATE OF CONFORMANCE (Affidavit)

Except for any exceptions, reservations, or exemptions listed on this document, the listed supplies conform to the applicable TE Connectivity Specification. Representative inspection and/or test data is on file and available for review.

Rick Reisinger
Signature on file

Authorized Quality Representative, 21-May-2020
This document has been electronically signed



**DELIVERY NOTE / PACKING LIST
/ CERTIFICATE OF CONFORMANCE**

Page 2/ 2
Shipment No. 4105180406
Customer no. 1274409
Mode of transport TRUCK
Document date 15-May-2020
Carrier No. 446472
Incoterms FCA SHIPPING POINT
Priority : Normal

EXPORTER / SHIPPER:
TE Connectivity Corporation
PA Distribution Center
1311 S. Market St
Mechanicsburg PA 17055
USA
EIN : 230332575



1274409

Invoice address
Customer Number OORD0048

TE Connectivity Corporation
Accounts Payable
2901 Fulling Mill Road
MIDDLETOWN 17057-3136
USA

SELLER :
TE Connectivity Corporation
2901 Fulling Mill Road
Middletown PA 17057
USA

Ship To
Customer Number 1274409

TE Connectivity Corporation
TE North Carolina DC
8000 Piedmont Triad Pkwy
GREENSBORO NC 27409
USA

Carrier Tyco Electronics / Road Service

Delivery note No./Item No. Our order/item No.	Our material number Your material number	Revision Level Cust Rev.	Our material description Commodity code Batch	Country of origin	Your order/item No.	Number of inner boxes	Net Quantity weight shipped
--	---	-----------------------------	--	-------------------	---------------------	--------------------------	--------------------------------

Purchase Order Summary

Your Order	Quantity Order	Delivery	Material Number	Total Units	Total Packages
	48,000.000 PC		1062-20-0222	48,000.000 PC	3

CERTIFICATE OF CONFORMANCE (Affidavit)

Except for any exceptions, reservations, or exemptions listed on this document, the listed supplies conform to the applicable TE Connectivity Specification. Representative inspection and/or test data is on file and available for review.

Rick Reisinger
Signature on file

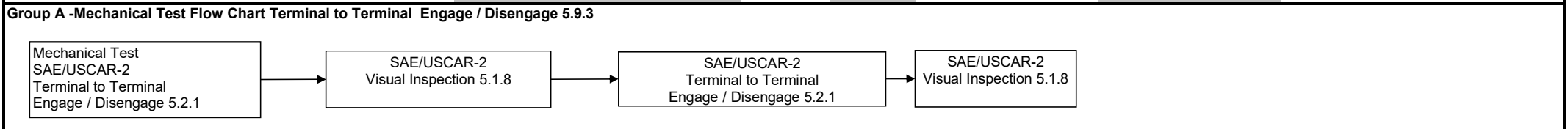
Authorized Quality Representative, 15-May-2020
This document has been electronically signed



Design Verification Plan and Report

System: CPSC 18.01.07 Connectors		Ford part number (s): See ESER Tab		Model Year and Program: Multiple		Ford Design Engineer: 		
Temperature Class	T3	T1, T2, T3, T4 T5	Supplier: TE Connectivity		Sep 2, 2020		Ford Design Engineer Approval	
Vibration Class	V2	V1, V2,V3, V4, V5	Reason for Validation:	Tool Transfer	Part Level:	PV - production	Plan: 08/10/20	Report:
Sealing Class	S1	S1, S2,S2.5, S3						

Test Name/Source	Acceptance Criteria	Test Results	Design Level Tested	Sample Size		Timing		Remarks
				Required	Tested	Sched.	Actual	



A-1. Visual Inspection - SAE/USCAR-2 5.1.8 To document the physical appearance of test samples.	The connectors assemblies must not show , with the aid of 10X magnification, any evidence of deterioration, cracks, deformities, etc., that could affect their functionality or distort their appearance. Connector locking mechanism must function without breaking	Pass/ Fail			DV / PV	10	10	8/26/2020	8/24/2020	Pass
A-2. Engage Force USCAR 2, 5.2.1.3.3	1st mate engage force USCAR-2, 5.2.1.3.4 (F≤4N)	Max	Min	Ave	DV / PV	10	10	8/26/2020	8/24/2020	Pass WE-202001028
		2.93N	3.89N	3.37N						
A-3. Disengage Force USCAR 2, 5.2.1.3.3	10th unmate disengage force USCAR-2, 5.2.1.3.6 (F≥1N)	3.03N	4.96N	3.82N				8/26/2020	8/24/2020	Pass WE-202001028
A-4. Visual Inspection - SAE/USCAR-2 5.1.8 To document the physical appearance of test samples.	The connectors assemblies must not show , with the aid of 10X magnification, any evidence of deterioration, cracks, deformities, etc., that could affect their functionality or distort their appearance. Connector locking mechanism must function without breaking	Pass/ Fail Note ay wear of the contact surfaces and no base material shall be exposed			DV / PV	10	10	8/26/2020	8/24/2020	Pass No evidence of wear of the contact surface, no base material exposed.

Test Part Inventory Page

	Male Connector Test	Female Connector Test
--	---------------------	-----------------------



Design Verification Plan and Report

System: CPSC 18.01.07 Connectors		Ford part number (s): See ESER Tab		Model Year and Program: Multiple		Ford Design Engineer:		
Temperature Class	T3	T1, T2, T3, T4 T5	Supplier: TE Connectivity		Ford Design Engineer Approval			
Vibration Class	V2	V1, V2,V3, V4, V5	Reason for Validation:	Tool Transfer	Part Level:	PV - production	Plan: 08/10/20	Report:
Sealing Class	S1	S1, S2,S2.5, S3						
Test Name/Source	Acceptance Criteria	Test Results	Design Level Tested	Sample Size		Timing		Remarks
				Required	Tested	Sched.	Actual	
Terminal Test Part Numbers	1L2T-14421-BA / 1438299-2			3F2T-14474-RA / 1393366-1				
Seal Test Part Numbers	NA			NA				
Clip/Cover etc. Test Part Numbers	NA			NA				
Mating Device Used Part Numbers	NA			NA				
Terminal Test Part Numbers	NA			NA				
Connector Test Part Numbers	NA			NA				
Wire Gauge and Type	0.35mm2			0.5mm2				



Section 11

Initial Process Studies



Section 12

Qualified Laboratory Documentation

Certificate of Registration

QUALITY MANAGEMENT SYSTEM - IATF 16949:2016

This is to certify that:

TE Connectivity
Global Automotive Division
Americas North
719 Pegg Road
Greensboro
North Carolina
27409
USA

operates a Quality Management System which complies with the requirements of IATF 16949:2016 for the following scope:

Design and manufacture of electrical interconnecting devices.

For and on behalf of BSI:



Carlos Pitanga, Chief Operating Officer Assurance – Americas

BSI Certificate Number: 514458-007

IATF Number: 0338830



Certification Date: 2018-10-18

Latest Issue: 2018-10-18

Page: 1 of 3

...making excellence a habit.™

Expiry Date: 2021-10-17

This certificate remains the property of BSI and shall be returned immediately upon request.

An electronic certificate can be authenticated [online](http://www.bsigroup.com/ClientDirectory). Printed copies can be validated at www.bsigroup.com/ClientDirectory

To be read in conjunction with the scope above or the attached appendix.

Further clarifications regarding the scope of this certificate and the applicability of IATF 16949 requirements may be obtained by consulting the organization.

IATF Contracted Office: BSI Assurance UK Limited, registered in England under number 7805321 at 389 Chiswick High Road, London W4 4AL, UK.

Location

TE Connectivity
Global Automotive Division
Americas North
719 Pegg Road
Greensboro
North Carolina
27409
USA

Registered Activities

Design and manufacture of electrical interconnecting devices.

Including the following remote support functions:

TE Connectivity
Global Automotive Division
Americas North
3800 Reidsville Road
Winston-Salem
North Carolina
27102
USA
Supplier management, Sales, Testing, Product design

TE Connectivity
Global Automotive Division
Americas North
20 Esna Park Drive
Markham
Ontario
L3R 1E1
Canada
Testing, Product design

TE Connectivity
Global Automotive Division
Americas North
1901 Fulling Mill Road
Middletown
Pennsylvania
17057
USA
Customer service, Testing, Product design

TE Connectivity
Global Automotive Division
Americas North
900 Wilshire Boulevard
Suite 150
Troy
Michigan
48084
USA
Product design

BSI Certificate Number: 514458-007

IATF Number: 0338830



Certification Date: 2018-10-18

Latest Issue: 2018-10-18

Expiry Date: 2021-10-17

Page: 2 of 3

This certificate remains the property of BSI and shall be returned immediately upon request.

An electronic certificate can be authenticated [online](http://www.bsigroup.com/ClientDirectory). Printed copies can be validated at www.bsigroup.com/ClientDirectory

To be read in conjunction with the scope above or the attached appendix.

Further clarifications regarding the scope of this certificate and the applicability of IATF 16949 requirements may be obtained by consulting the organization.

IATF Contracted Office: BSI Assurance UK Limited, registered in England under number 7805321 at 389 Chiswick High Road, London W4 4AL, UK.

Americas Headquarters: BSI Group America Inc., 12950 Worldgate Drive, Suite 800, Herndon, VA 20170-6007 USA

A Member of the BSI Group of Companies.

Location

Registered Activities

TE Connectivity
North Carolina Distribution Center
8000 Piedmont Triad Parkway
Greensboro
North Carolina
27409
USA
Warehousing

TE Connectivity
Global Automotive Division
Americas North
2100 Paxton Street
Harrisburg
Pennsylvania
17111
USA
Testing

TE Connectivity
3900 Reidsville Road
Winston Salem
North Carolina
27101
USA
Testing

TE Connectivity
3920 Reidsville Road
Winston Salem
North Carolina
27101
USA
Testing

Including the following extended manufacturing sites:

TE Connectivity
Global Automotive Division
Americas North
233 Burgess Road
Greensboro
North Carolina
27409
USA
Design and manufacture of electrical interconnecting devices

BSI Certificate Number: 514458-007

IATF Number: 0338830



Certification Date: 2018-10-18

Latest Issue: 2018-10-18

Expiry Date: 2021-10-17

Page: 3 of 3

This certificate remains the property of BSI and shall be returned immediately upon request.

An electronic certificate can be authenticated [online](http://www.bsigroup.com/ClientDirectory). Printed copies can be validated at www.bsigroup.com/ClientDirectory

To be read in conjunction with the scope above or the attached appendix.

Further clarifications regarding the scope of this certificate and the applicability of IATF 16949 requirements may be obtained by consulting the organization.

IATF Contracted Office: BSI Assurance UK Limited, registered in England under number 7805321 at 389 Chiswick High Road, London W4 4AL, UK.



Section 13

Appearance Approval Report

Not Applicable



Section 14

Sample Product

**Sent in separate package
(if required)**



Section 15

Master Sample

Retained at manufacturing location



Section 16

Checking Aids

Not Applicable



Section 17

Records of Compliance with Customer-Specific Requirements

MDS Report

Substances of assemblies and materials

This report is for internal Automotive industry use only. Distribution to non-Automotive clients is a violation of the Terms of Use, and is not permitted unless a written permission was given by DXC Technology. Parsing is not allowed.

1. Company and Product Name

1.1 Supplier Data

Name [ID]: **Tyco Electronics GAD [913]**
DUNS Number: **-**
Street/Postal Code: **Amperestr. 12-14**
Nat./ZipCode/City: **DE 64625 Bensheim**
Supplier Code: **-**
Contact Person: **IMDS Team (India) Engineering Services**
- Phone: **-**
- Fax No.: **-**
- E-Mail Address: **imds@te.com**

1.2 Product Identification

Part/Item No.: **2-1419158-5**
Description: **0.64 GET Male In-Line Terminal**
Report No.: **-**
Date of Report: **-**
Purchase Order No.: **-**
Bill of Delivery No.: **-**
Preliminary MDS: **No**
IMDS ID / Version: **5072055 / 19**
Node ID: **771999929**
MDS Status (Change Date): **Internally released (09/20/2018)**

MDS Report

Substances of assemblies and materials

Materials which are subject to legal prohibitions must not be included!
 Dangerous substances formed or released during use must also be declared
 Please note: GADSL list for substances that require declaration

2. Characterization of the Component

Part/Item No.: **2-1419158-5**
 Description: **0.64 GET Male In-Line Terminal**

Report No.: **-**
 IMDS ID / Version: **5072055 / 19**
 Node ID: **771999929**

Tree Level	Description Article Name Name Substance name	Part/Item No. Item- /Mat.-No. Material-No. CAS No.	IMDS ID / Version	Quantity	Weight [g]	Portion [%]	Portion (from - to) [%]	Classif. GADSL, SVHC	Parts Marking Recyclate (Indust./Consumer) Application [ID]
1	0.64 GET Male In-Line Terminal	2-1419158-5	5072055 / 19		0.2715				
└2	Strip			1	0.1757				
└3	Tin Brass		11833930 / 6		0.1751			3.2	No
└4	Copper	7440-50-8				88.5	87 - 90	D	
└4	Iron	7439-89-6				0.025	0 - 0.05		

Tree Level	Description Article Name Name Substance name	Part/Item No. Item- /Mat.-No. Material-No. CAS No.	IMDS ID / Version	Quantity	Weight [g]	Portion [%]	Portion (from - to) [%]	Classif. GADSL, SVHC	Parts Marking Recyclate (Indust./Consumer) Application [ID]
└4	Phosphorus	7723-14-0				0.175	0 - 0.35		
└4	Lead	7439-92-1				0.025	0 - 0.05	D / P / SVHC	Concentration within acceptable GADSL limits [44]
└4	Tin	7440-31-5				2.25	1.5 - 3		
└4	Zinc (metal)	7440-66-6				8.875			
└4	Misc., not to declare	system				0.15	0 - 0.3		
└3	e-plate Sn (electrodeposited Tin Coatings, bright and matt)		756885 / 5		0.0006			4.2	No
└4	Carbon	7440-44-0				0.505	0.01 - 1		
└4	Sulphur	7704-34-9				0.02	0 - 0.04		
└4	Lead	7439-92-1				0.015	0 - 0.03	D / P / SVHC	Concentration within acceptable GADSL limits [44]
└4	Tin	7440-31-5				99.46			
└2	Pin			1	0.0958				
└3	Tin Brass		11833930 / 6		0.0936			3.2	No
└4	Copper	7440-50-8				88.5	87 - 90	D	
└4	Iron	7439-89-6				0.025	0 - 0.05		
└4	Phosphorus	7723-14-0				0.175	0 - 0.35		
└4	Lead	7439-92-1				0.025	0 - 0.05	D / P / SVHC	Concentration within acceptable GADSL limits [44]
└4	Tin	7440-31-5				2.25	1.5 - 3		
└4	Zinc (metal)	7440-66-6				8.875			

Tree Level	Description Article Name Name Substance name	Part/Item No. Item- /Mat.-No. Material-No. CAS No.	IMDS ID / Version	Quantity	Weight [g]	Portion [%]	Portion (from - to) [%]	Classif. GADSL, SVHC	Parts Marking Recyclate (Indust./Consumer) Application [ID]
└4	Misc., not to declare	system				0.15	0 - 0.3		
└3	e-plate Ni (bright) (electrodeposited Nickel bright)		749088 / 2		0.001			3.4	No
└4	Carbon	7440-44-0				0.05	0 - 0.1		
└4	Nitrogen	7727-37-9				0.05	0 - 0.1		
└4	Sulphur	7704-34-9				0.075	0.05 - 0.1		
└4	Nickel	7440-02-0				99.825		D	Other application (Surface not routinely touched or nickel release rate < 0.5µg/cm2/week) [33]
└3	e-plate Sn (electrodeposited Tin Coatings, bright and matt)		756885 / 5		0.0012			4.2	No
└4	Carbon	7440-44-0				0.505	0.01 - 1		
└4	Sulphur	7704-34-9				0.02	0 - 0.04		
└4	Lead	7439-92-1				0.015	0 - 0.03	D / P / SVHC	Concentration within acceptable GADSL limits [44]
└4	Tin	7440-31-5				99.46			

This is an uncontrolled copy of a document created by IMDS. End of the report.



Section 18

Part Submission Warrant

Part Submission Warrant

Part Name	<u>GET MALE TERM, B, SN, REREEL</u>	Cust. Part Number	<u>17R5894</u>
Shown on Drawing No.	<u>C-3-1419158-1</u>	Org. Part Number	<u>2-1419158-5</u>
Engineering Change Level	<u>F3</u>	Dated	<u>16-Dec-2015</u>
Additional Engineering Changes	<u>N / A</u>	Dated	<u>N / A</u>
Safety and/or Government Regulation	<input type="checkbox"/> Yes <input checked="" type="checkbox"/> No	Purchase Order No.	<u>N / A</u>
Weight (kg)	<u>0.00027</u>		
Checking Aid Number	<u>N / A</u>	Checking Aid Engineering Change Level	<u>N / A</u>
Dated	<u>N / A</u>		

ORGANIZATION MANUFACTURING INFORMATION

TE Connectivity / 825043995

Supplier Name & Supplier/Vendor Code

719 Pegg Road

Street Address

Greensboro North Carolina 27409 USA

City Region Postal Code Country

CUSTOMER SUBMITTAL INFORMATION

Newark Electronics

Customer Name/Division

N/A

Buyer/Buyer Code

Various

Application

MATERIALS REPORTING

Reporting of all materials, not just Substances of Concern, may be required by certain OEMs or other customers.

Has customer-required Substances of Concern information been reported? Yes No

Submitted by IMDS or other customer format: 5072055 / 19

Are polymeric parts identified with appropriate ISO marking codes? Yes No N/A

REASON FOR SUBMISSION

- | | |
|--|--|
| <input type="checkbox"/> Initial submission | <input type="checkbox"/> Change to Optional Construction or Material |
| <input type="checkbox"/> Engineering Change(s) | <input type="checkbox"/> Sub-Supplier or Material Source Change |
| <input checked="" type="checkbox"/> Tooling: Transfer, Replacement, Refurbishment, or additional | <input type="checkbox"/> Change in Part Processing |
| <input type="checkbox"/> Correction of Discrepancy | <input type="checkbox"/> Parts produced at Additional Location |
| <input type="checkbox"/> Tooling Inactive > than 1 year | <input type="checkbox"/> Other - please specify |

REQUESTED SUBMISSION LEVEL (Check one)

- Level 1 - Warrant only (and for designated appearance items, an Appearance Approval Report) submitted to customer.
- Level 2 - Warrant with product samples and limited supporting data submitted to customer.
- Level 3 - Warrant with product samples and complete supporting data submitted to customer.
- Level 4 - Warrant and other requirements as defined by customer.
- Level 5 - Warrant with product samples and complete supporting data reviewed at supplier's manufacturing location.

SUBMISSION RESULTS

The results for dimensional measurements material and functional tests appearance criteria statistical process package

These results meet all design record requirements: YES NO (If "NO" - Explanation Required)

Mold / Cavity / Production Process Stamping

DECLARATION

I affirm that the samples represented by this warrant are representative of our parts, which were made by a process that meets all Production Part Approval Process Manual 4th Edition Requirements. I further affirm that these samples were produced at a production rate of Proprietary /1 hour. I also certify that the documented evidence of such compliance is on file and available for review. I have noted any deviation from the declaration below.

EXPLANATION/COMMENTS: Production Rate is TE proprietary.

P-20-018730 & P-20-018731: Titan Phase 4, Transfer from Burgess to Pegg.

Is each Customer Tool properly tagged and numbered? Yes No N/A

Organization Authorized Signature Alejandra Lara H. Date 02/10/2020

Print Name Alejandra Lara Phone No. N/A Fax No. N/A

Title PPAP Technician E-mail alejandra.lara@te.com

FOR CUSTOMER USE ONLY (IF APPLICABLE)

Part Warrant Disposition: Approved Rejected Other

Customer Signature _____ Date _____

Print Name _____ Customer Tracking Number (optional) _____

March 2006 **CFG-1001**

Optional customer tracking number: _____



Section 18a

Bulk Material Requirements



Not Applicable