

C3225X7S0J476M250AC

TDK item description : C3225X7S0J476MT****

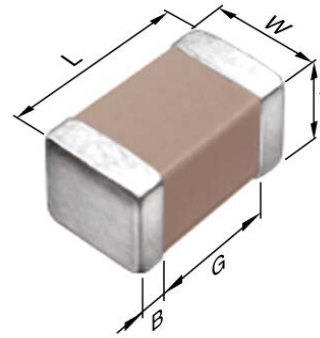


Application & Main Feature

Commercial grade (General type)

Series

C3225 [EIA 1210]



Dimensions

L 3.20+0.45/-0.40 mm
 W 2.50+0.35/-0.30 mm
 T 2.50+0.35/-0.30 mm
 B 0.20 mm min.
 G ---

Temperature Characteristic

X7S (-55 to +125 degC, ±22%)

Rated Voltage

0J (6.3Vdc)

Capacitance

47µF

Capacitance Tolerance

M (±20%)

DF

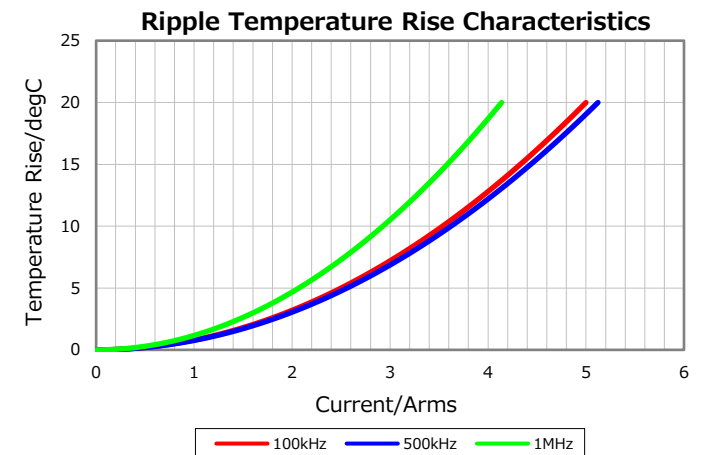
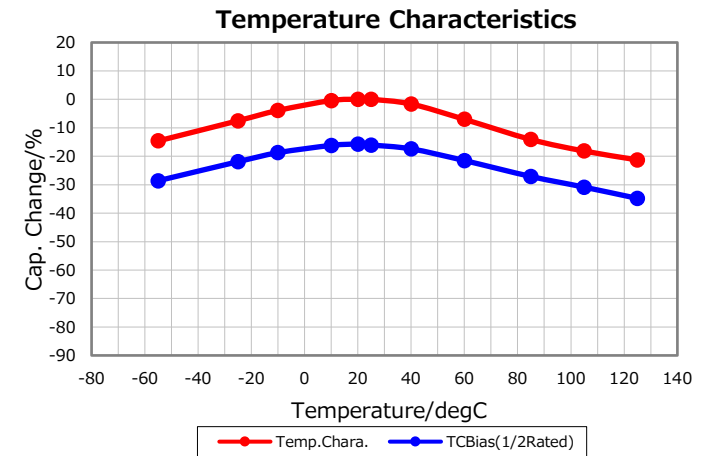
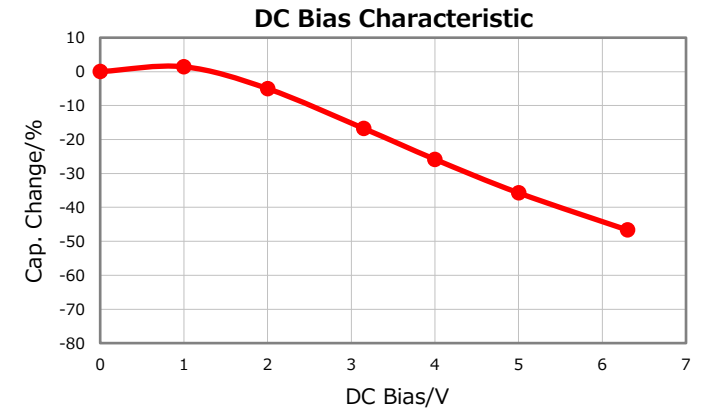
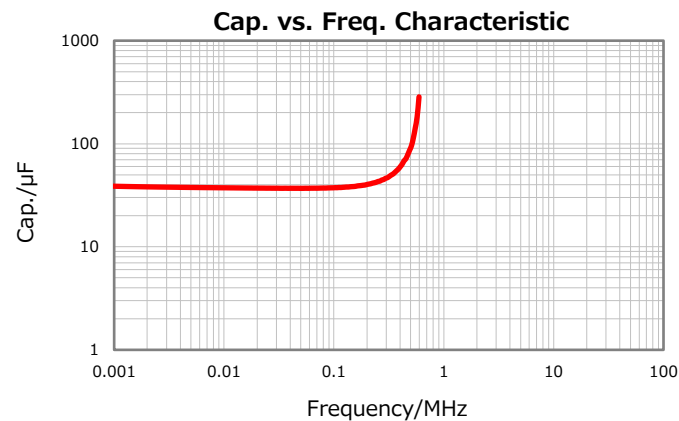
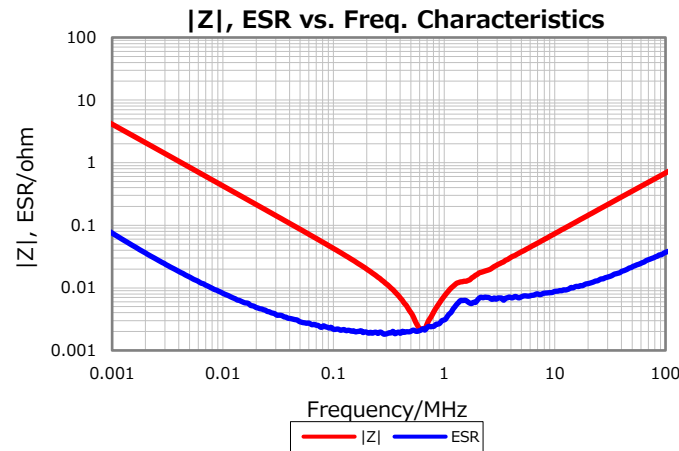
7.5 % max.

Insulation Resistance

2 Mohm min.

AEC-Q200

Not Applicable



Characterization Sheet (Multilayer Ceramic Chip Capacitors)



All specifications are subject to change without notice.

February 13, 2020