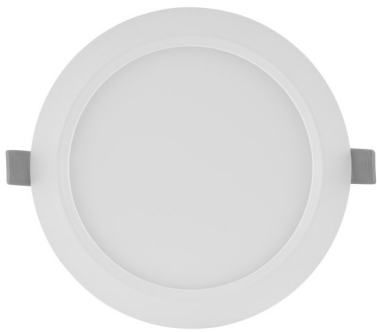


# PRODUCT DATASHEET

## DL SLIM DN 155 12 W 3000 K WT

**DOWNLIGHT SLIM ROUND | Flat downlights with integrated driver, round shape**



---

### AREAS OF APPLICATION

- Direct replacement for luminaires with compact fluorescent lamps
- General illumination
- Public areas
- Stairways
- Corridors
- Foyers
- Shops

---

### PRODUCT BENEFITS

- Very slim housing
- Low installation depth
- High luminous efficacy
- Energy savings up to 60 % (compared to luminaires that use CFL lamps)
- Very homogenous light
- Functional design
- Easy installation with fast connection
- Simple installation thanks to integrated driver

---

### PRODUCT FEATURES

- Small visible bezel
- Connector box with push wire terminal for tool-free connection
- Light guide made of non-yellowing PMMA for long lifetime



## TECHNICAL DATA

### Electrical data

|  |                       |
|--|-----------------------|
| Nominal wattage                          | 12.00 W               |
| Operating mode                           | Integrated LED driver |
| Nominal voltage                          | 220...240 V           |
| Power factor $\lambda$                   | 0.50                  |
| Mains frequency                          | 50/60 Hz              |
| Max. no. of lum. on circuit break. B16 A | 48                    |
| Max. no. of lum. on circuit break. C10 A | 38                    |
| Max. no. of lum. on circuit break. C16 A | 61                    |
| Inrush current                           | 15.6 A                |
| Total harmonic distortion                | < 20 %                |
| Inrush current time $T_{h50}$            | 50 $\mu$ s            |

### Luminaire control gear data

|                             |        |
|-----------------------------|--------|
| Output current              | 180 mA |
| ECG - Output ripple current | <6.5 % |

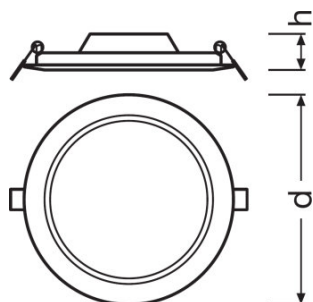
### Photometrical data

|                                      |            |
|--------------------------------------|------------|
| Color temperature                    | 3000 K     |
| Luminous flux                        | 1020 lm    |
| Luminous efficacy                    | 85 lm/W    |
| Standard deviation of color matching | <6 sdcM    |
| Light color (designation)            | Warm White |
| Color rendering index Ra             | >80        |

### Light technical data

|            |       |
|------------|-------|
| Beam angle | 120 ° |
|------------|-------|

Dimensions & weight



|                          |          |
|--------------------------|----------|
| <b>Diameter</b>          | 169.0 mm |
| <b>Height</b>            | 30.0 mm  |
| <b>Product weight</b>    | 272.00 g |
| <b>Mounting diameter</b> | 155.0 mm |

Colors & materials

|  |                    |
|--|--------------------|
| <b>Body material</b>                   | Polycarbonate (PC) |
| <b>Product color</b>                   | White              |
| <b>Housing color</b>                   | White              |
| <b>Cover material</b>                  | Polycarbonate (PC) |
| <b>Light emitting surface material</b> | Polycarbonate      |

Temperatures & operating conditions

|                                  |              |
|----------------------------------|--------------|
| <b>Ambient temperature range</b> | -20...+50 °C |
|----------------------------------|--------------|

Lifespan

|                                   |         |
|-----------------------------------|---------|
| <b>Number of switching cycles</b> | 50000   |
| <b>Lifespan L70/B50 at 25 °C</b>  | 30000 h |
| <b>Lifespan L80/B10 at 25 °C</b>  | 20000 h |
| <b>Lifespan L90/B10 at 25 °C</b>  | 12000 h |

Additional product data

|                          |                |
|--------------------------|----------------|
| <b>Mounting type</b>     | Recessed       |
| <b>Mounting location</b> | Ceiling / Wall |

Capabilities

|                               |                            |
|-------------------------------|----------------------------|
| <b>Dimmable</b>               | No                         |
| <b>Type of connection</b>     | Screwless terminal, 2-Pole |
| <b>LED module replaceable</b> | Not replaceable            |

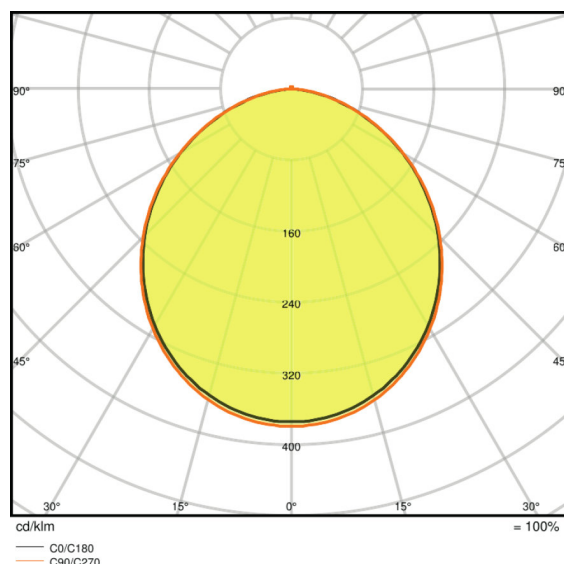
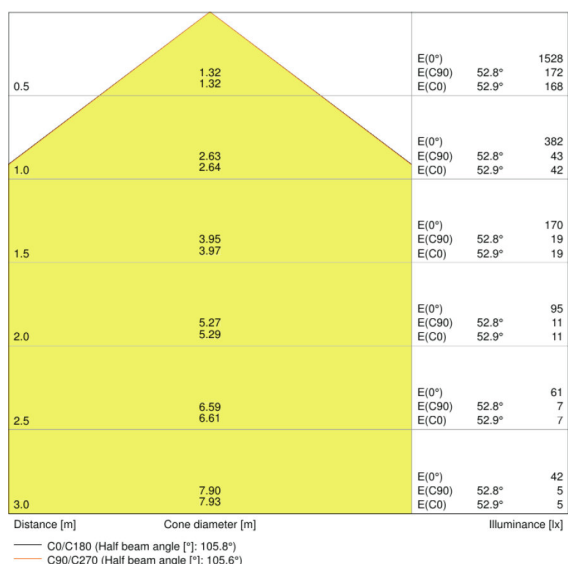
Certificates & standards

|  |                |
|--|----------------|
| Protection class IK (shock resistance)     | IK03           |
| Glow Wire Test according to IEC 60695-2-12 | 650 °C         |
| Photobio. safety group acc. to EN62471     | RG 0           |
| Protection class                           | II             |
| Type of protection                         | IP20           |
| Standards                                  | CE/CB/EAC/RoHS |

Logistical data

|                              |              |
|------------------------------|--------------|
| Temperature range at storage | -30...+70 °C |
|------------------------------|--------------|

Light Distribution



LDC typ cone

LDC typ polar

EQUIPMENT / ACCESSORIES

– Surface mounting frames available as accessories

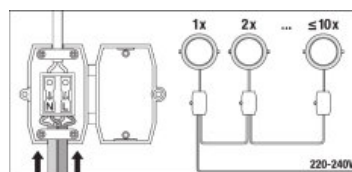
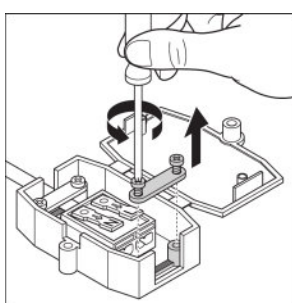
LOGISTICAL DATA

| Product code  | Packaging unit (Pieces/Unit) | Dimensions (length x width x height) | Gross weight | Volume               |
|---------------|------------------------------|--------------------------------------|--------------|----------------------|
| 4058075052284 | Folding carton box<br>1      | 45 mm x 195 mm x 172 mm              | 323.00 g     | 1.51 dm <sup>3</sup> |

|               |                          |                          |           |                       |
|---------------|--------------------------|--------------------------|-----------|-----------------------|
| 4058075052291 | Shipping carton box<br>6 | 290 mm x 205 mm x 195 mm | 2238.00 g | 11.59 dm <sup>3</sup> |
| 4058075079038 | Folding carton box<br>1  | 45 mm x 195 mm x 175 mm  | 323.00 g  | 1.54 dm <sup>3</sup>  |
| 4058075079045 | Shipping carton box<br>6 | 290 mm x 205 mm x 195 mm | 2158.00 g | 11.59 dm <sup>3</sup> |

The mentioned product code describes the smallest quantity unit which can be ordered. One shipping unit can contain one or more single products. When placing an order, for the quantity please enter single or multiples of a shipping unit.

#### ADDITIONAL CATALOG INFORMATION



#### REFERENCES / LINKS

For Guarantee see

▶ [www.ledvance.com/guarantee](http://www.ledvance.com/guarantee)

#### DISCLAIMER

Subject to change without notice. Errors and omission excepted. Always make sure to use the most recent release.