

## **SPEEDY** RJ45 Transparent Flush Strain Relief Boots



### Transparent Flush Strain Relief Boots

These compact flush strain relief boots are designed to fit our **SPEEDY** RJ45 Category 5e and Category 6 plugs.

#### **Features**

- Premium design, suitable for high density use in most datacom environments
- Extended hood prevents latch snagging other cables
- Perfect solution for rapid termination
- Transparent, high strength, polycarbonate boot with high gloss finish; gives premium appearance to assembled leads
- Suitable for cable diameter size: approx. 5.5mm (PSPDY5) or 6.5mm (PSPDY6)
- Also suitable for use with standard 8p8c connectors for Category 5e or Category 6 (N.B. Retention legs differ between the two versions)

#### **Specifications**

- Material: Polycarbonate UL94-V2
- Colour: transparent



## **Packaging**

Supplied in polybags of 10 then 100 then 200 then 500

- 10:**   PSPDY5#10  
          PSPDY6#10
- 100:**  PSPDY5#100  
          PSPDY6#100
- 200:**  PSPDY5#200  
          PSPDY6#200
- 500:**  PSPDY5#500  
          PSPDY6#500

**PSPDY5**

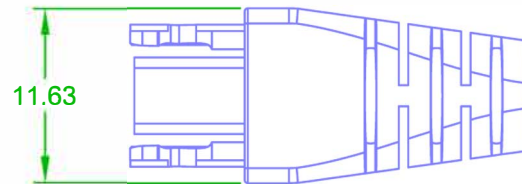
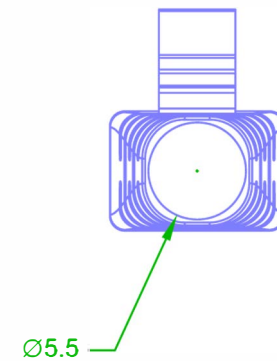
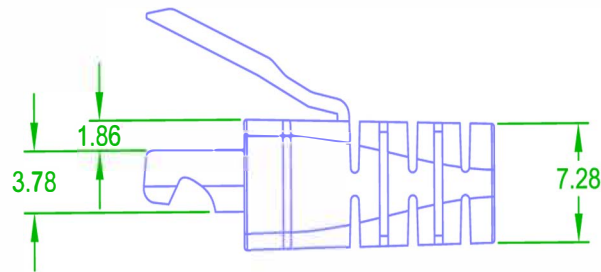
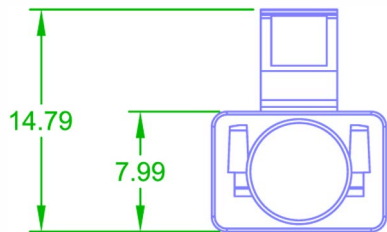
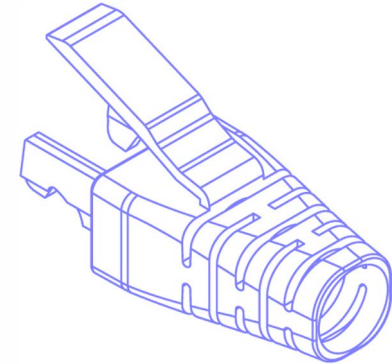
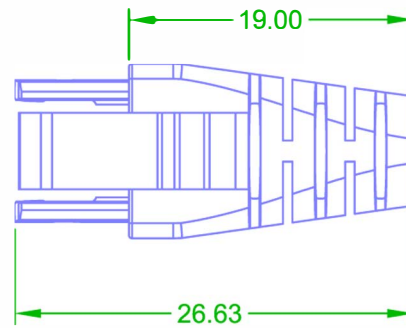


**PSPDY6**



ROHS Compliant

Code: PSDPY5



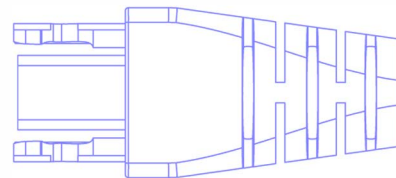
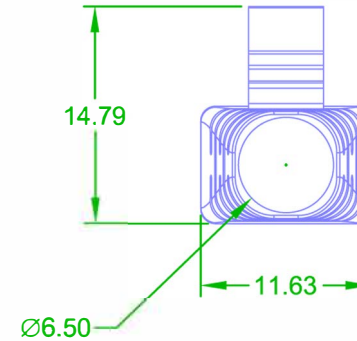
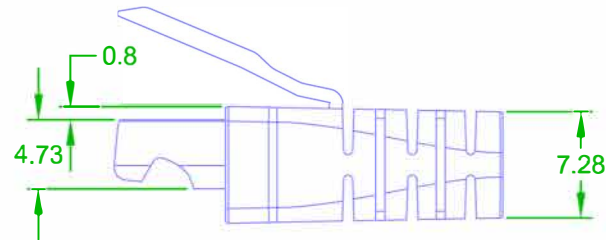
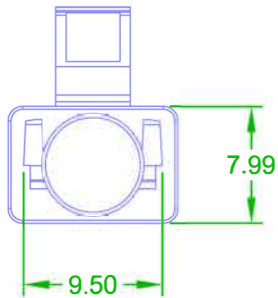
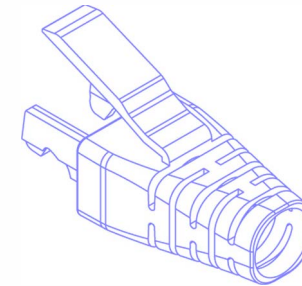
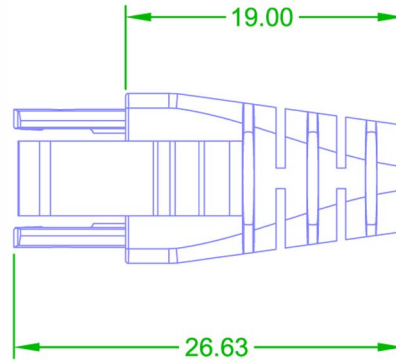
20/04/2021

NOTE TOL:  $\pm 0.1$

# **SPEEDY** RJ45

ROHS Compliant

Code: **PSPDY6**



20/04/2021

NOTE TOL:  $\pm 0.1$